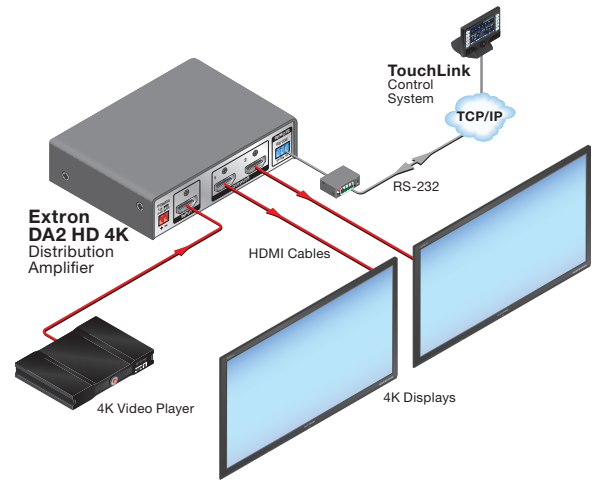


DA2 HD 4K • Setup Guide

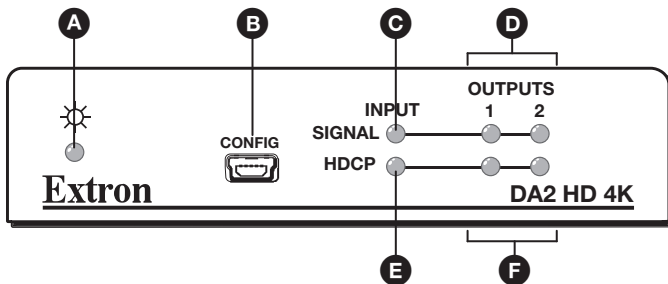
IMPORTANT:
Go to www.extron.com for the complete user guide and installation instructions before connecting the product to the power source.

Overview

The Extron DA2 HD 4K distribution amplifier distributes one HDMI input signal to two outputs simultaneously (following the HDMI 1.4 specification at resolutions up to UHD and 4K). This setup guide provides basic instructions for installation by an experienced installer. For complete instructions, see the *DA HD 4K Series User Guide* at www.extron.com.

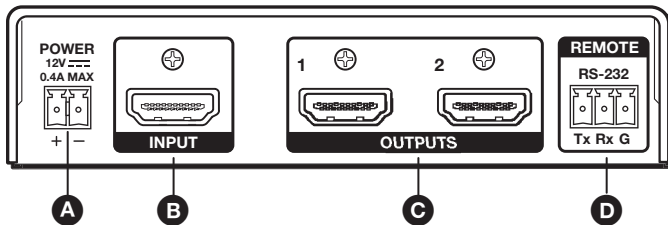


Front Panel



- A Power status LED** – Lights green when power is applied to the unit.
- B USB Config port** – Used for SIS™ configuration, monitoring, and firmware updates.
- C Input Signal LED** – Lights green when a TMDS signal is detected on the HDMI input.
- D Output Signal LEDs** – Light green when HPD is detected from the corresponding sink device and when a TMDS signal is detected at the input.
- E Input HDCP LED** – Lights green when the source requires HDCP encryption and it has been authenticated with the HDMI input.
- F Output HDCP LEDs** – Light green when HDCP is authenticated between the DA2 HD 4K output and the corresponding sink device.

Rear Panel



- A Power input** – Connect the provided 12 VDC power supply to this two-pole captive screw connector.

ATTENTION:

- Do not connect the power supply before reading the Attention in the Power Supply section of the *DA Series HD 4K User Guide*.
- Ne branchez pas la source d'alimentation externes avant d'avoir lu les mises en garde dans la section « Power Supply » du *DA Series HD 4K User Guide*.

- B HDMI input** – Connect a source device to this female HDMI type A connector.
- C HDMI outputs** – Connect up to two display devices to these female HDMI type A connectors.
- D RS-232** – Used for SIS configuration, monitoring, and firmware updates (Pin 1 = Tx, Pin 2 = Rx, Pin 3 = Ground). Protocol: 9600 baud, 8 data bits, 1 stop bit, no parity.

DA2 HD 4K • Setup Guide (Continued)

Installation

1. Mount the DA2 HD 4K in a suitable location (see www.extron.com for mounting options). Follow the instructions provided with the mounting kit.
2. If required, connect a control PC to the USB Config port (Front Panel **B** on the previous page) or RS-232 connector (Rear Panel **D** on the previous page). To connect the rear panel RS-232 connector to a PC, ensure that the PC transmit connects to the RS-232 receive and the PC receive connects to the RS-232 transmit (see the diagram below).



NOTE: Use SIS commands to configure EDID Minder®, mute the video signal, mute the audio signal, adjust the video color bit depth, or monitor the signal and HDCP status. See the “SIS Commands” section of the *DA HD 4K Series User Guide*.

3. Connect the display devices to the rear panel HDMI outputs and power them on. Connect the primary display to output 1. EDID from output 1 is stored automatically.

NOTE: Use the LockIt® HDMI cable lacing brackets provided to secure the HDMI connectors.

Follow these instructions to secure the input and output HDMI connectors to the unit with the LockIt HDMI lacing bracket provided:

- a. Plug the HDMI cable into the panel connection (1).
- b. Loosen the HDMI connection mounting screw from the panel enough to allow the LockIt lacing bracket to be placed over it (2). The screw does not have to be removed.
- c. Place the LockIt lacing bracket on the screw and against the HDMI connector, then tighten the screw to secure the bracket (3).

ATTENTION:

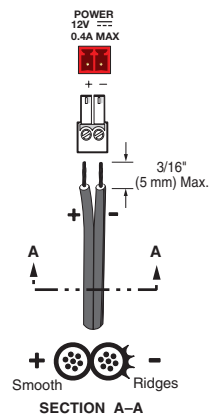
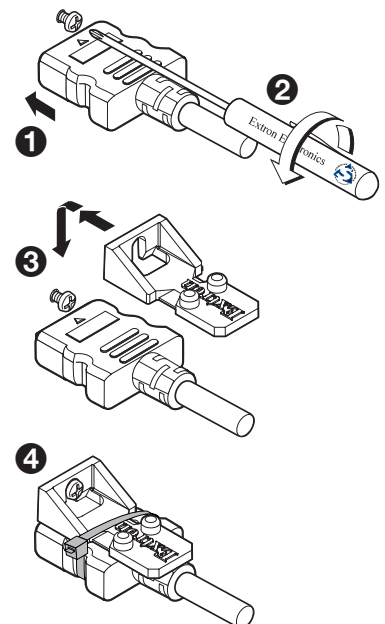
- Do not overtighten the HDMI connection mounting screw. The shield it fastens to is very thin and can easily be stripped.
- Ne serrez pas trop la vis de montage du connecteur HDMI. Le blindage auquel elle est attachée est très fin et peut facilement être dénudé.

- d. Loosely place the included tie wrap around the HDMI connector and the LockIt lacing bracket as shown (4).
 - e. While holding the connector securely against the lacing bracket, tighten the tie wrap, then remove any excess length.
4. Connect the provided 12 VDC power supply to the 2-pole captive screw connector.

ATTENTION:

- Do not connect the power supply before reading the Attention in the Power Supply section of the *DA Series HD 4K User Guide*.
- Ne branchez pas la source d'alimentation externes avant d'avoir lu les mises en garde dans la section « Power Supply » du *DA Series HD 4K User Guide*.

5. Connect and power on the source device.



For information on safety guidelines, regulatory compliances, EMI/EMF compatibility, accessibility, and related topics, see the [Extron Safety and Regulatory Compliance Guide](#) on the Extron website.