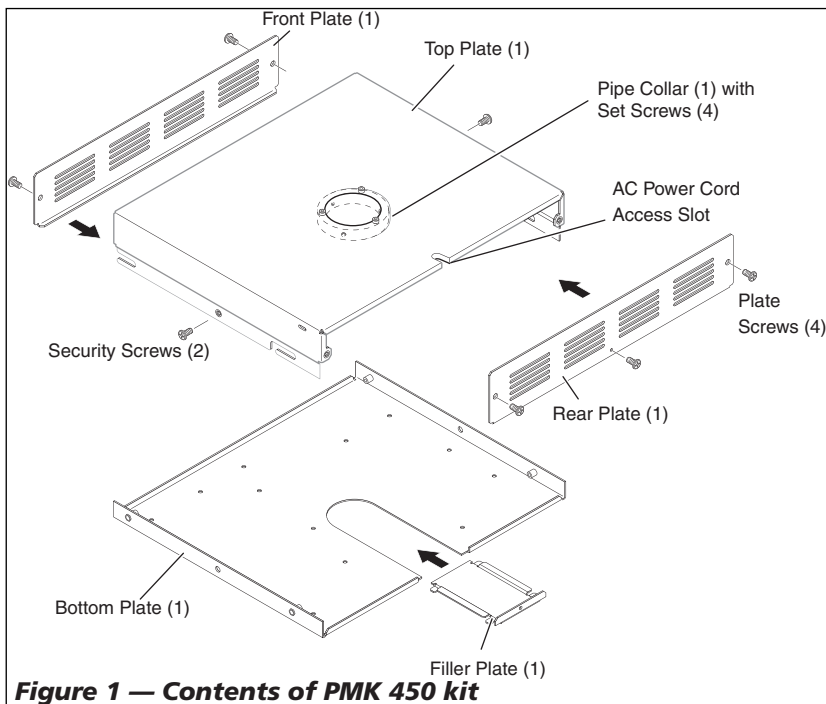


## Installation Notes for PMK 450 (70-618-03)

The Extron PMK 450 Projector Mounting Kit can accommodate multiple Extron products of one eighth, quarter, or half rack sizes with power supplies.

The components of the PMK 450 kit are shown in Figure 1. Also included are:

- Set-screw hex wrench (1)
- Security screw hex wrench (1)
- Velcro™ Pads for securing power supply (2)
- 4-40 Screws for mounting devices (6)

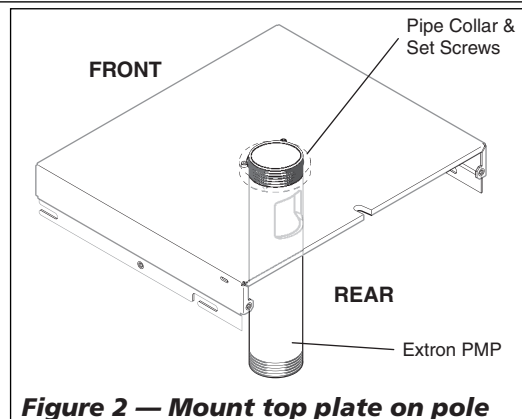


**Figure 1 — Contents of PMK 450 kit**

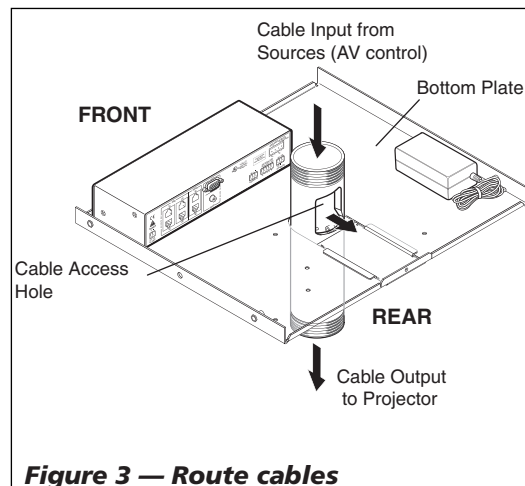
### Installation

**CAUTION** Maximum load for the PMK 450 is 15 lb (6.8 kg).

1. Unscrew the front and rear plates and the security screws from the sides. **Slide the top and bottom plates apart.** The filler plate is attached to the rear plate and should not be removed.
2. Ensure that the mounting pipe is installed with the cable access hole facing the rear, away from the projector screen.
3. **Loosen the four pipe collar set screws** to allow the top plate to move freely along the pole.
4. **Slide the top plate up the pipe** until the pipe collar is positioned just above the cable access hole (Figure 2). Ensure the rear of the top plate is facing to the rear, in the same direction as the cable access hole in the pipe.
5. **Level the top plate and secure it** by fully tightening the set screws. At least three screws must come in contact with the pipe.
6. **Route the cables** so that they exit the pipe via the cable access hole (Figure 3).
7. Using the supplied 4-40 screws, **secure the devices to the bottom plate.** Figure 3 shows the PVS 204 screwed to the plate with a power supply attached by the supplied Velcro pads.
8. Attach cables to the device(s) and pull excess cable back into the ceiling. Feed the output cables to the projector via the cable access hole and the bottom of the pipe.



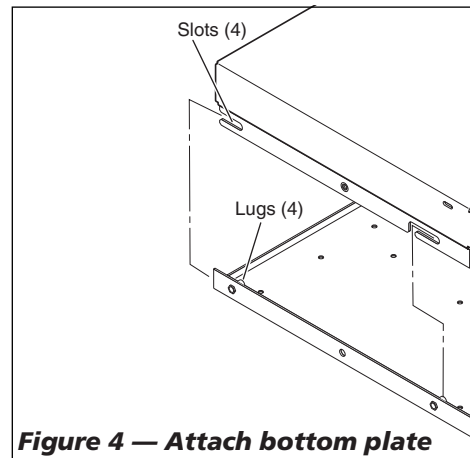
**Figure 2 — Mount top plate on pole**



**Figure 3 — Route cables**

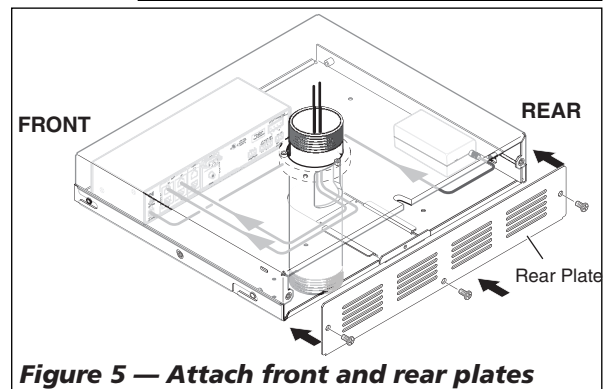
# PMK 450 Installation Notes, cont'd

9. Insert the lugs on the bottom plate into the slots on the top plate and **slide the bottom plate into position** (Figure 4).



**Figure 4 — Attach bottom plate**

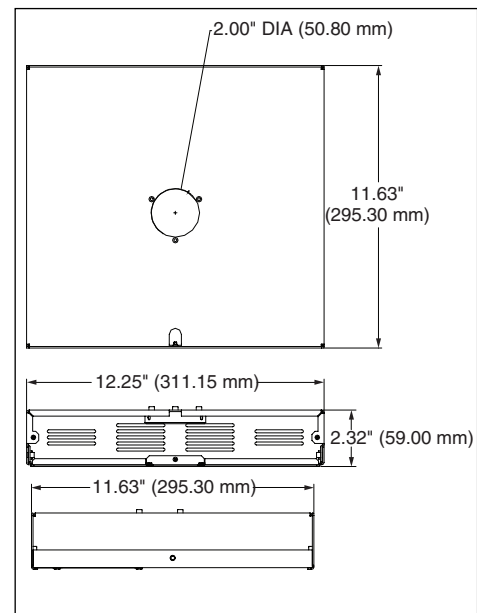
10. Lock the top and bottom plates together with the security screws, pass the AC power cord through the slot at the rear of the top plate.
11. Reattach the front and rear plates (Figure 5).



**Figure 5 — Attach front and rear plates**

## Specifications

Dimensions .....	2.25" (5.72 cm) H x 12.25" (31.12 cm) W x 11.63" (29.53 cm) D
Mount application.....	Mounts to standard 1.5" (3.8 cm) NPT pipes or pipes with external diameters of 1.85" (4.7 cm) to 1.95" (5 cm)
Material.....	White powder-coated aluminum
Maximum load` .....	15 lb (6.8 kg)
Product weight .....	2.35 lbs (1.07 kg)
Shipping weight.....	3 lb (1.36 kg)
Listings.....	UL, CUL as an accessory, for use with UL listed mount and projector
Compliances.....	CE
Vibration.....	ISTA 1A in carton (International Safe Transit Association)
Warranty.....	3 years parts and labor



**Figure 6 — Dimensions**



**Extron Electronics, USA**  
 1230 South Lewis Street  
 Anaheim, CA 92805  
 800.633.9876 714.491.1500  
 FAX 714.491.1517

**Extron Electronics, Europe**  
 Beeldschermweg 6C  
 3821 AH Amersfoort, The Netherlands  
 +800.3987.6673 +31.33.453.4040  
 FAX +31.33.453.4050

**Extron Electronics, Asia**  
 135 Joo Seng Rd. #04-01  
 PM Industrial Bldg., Singapore 368363  
 +800.7339.8766 +65.6383.4400  
 FAX +65.6383.4664

**Extron Electronics, Japan**  
 Kyodo Building, 16 Ichibancho  
 Chiyoda-ku, Tokyo 102-0082  
 Japan  
 +81.3.3511.7655 FAX +81.3.3511.7656

© 2007 Extron Electronics. All rights reserved.