

Insert

This insert describes how to use the video and audio mute functions of the CrossPoint, CrossPoint Plus, MAV series, and Matrix 50 switcher. Video and audio mutes are new features for those matrix switchers. The front panel operations and SIS commands detailed in this insert are in addition to the functions described in those products' manuals.

Depending on your switcher, the video selection button and LED are labeled either RGBHV or Video. In this insert, they are referred to as Video, but on switchers that have an RGBHV button and LED, the function is identical.

Muting and unmuting video and/or audio

1. Press the Esc button to clear any input LEDs, output LEDs, or control LEDs that may be on.
2. Press and release the View button.
3. Select video, audio, or both to mute or unmute by pressing the Video and/or Audio buttons.
4. One at a time, press and **hold** the output button(s) for the desired output(s). The output LED(s) for the selected output(s) flash to indicate the mute or return to their previous state to indicate the unmute.
5. Press and release the View button to return to normal switcher operation.

NOTE

1. You can mute video and audio, video-only, or audio-only outputs. Pressing and releasing the Video and Audio buttons toggles each selection on and off.
2. When you enter view-only mode, the output LEDs turn **on** for all outputs *without* ties.
3. On the CrossPoint and CrossPoint+, the video mute function mutes the R, G, and B planes only; the H and V planes are still active. On MAV and Matrix 50 switchers, the function mutes all video planes.
4. Mutes are **not** saved. When power is removed and restored, the mutes are lost.

Example: Muting and unmuting an output

- (A) Press and release the Esc button. The Esc LED flashes once.
- (B) Press and release the View button to enter view-only mode. The View LED lights.
- (C) To select both video and audio for viewing, if necessary, press and release the Video and Audio buttons until the Video LED and Audio LED light. With no input selected, all output LEDs that have no established ties (outputs 2, 5, 6, and 7 in the figure 1 example below) light.

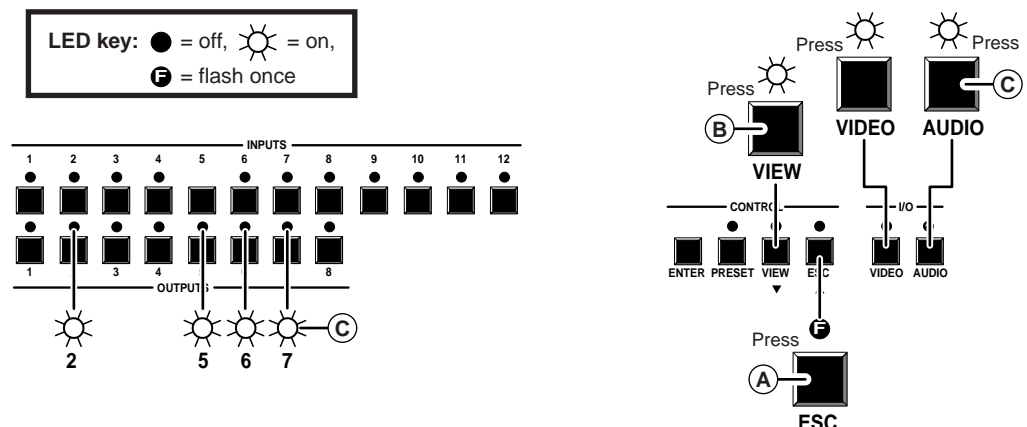


Figure 1 — Example: Viewing the current configuration

- Ⓓ One at a time, press and **hold** the Output 3 and Output 4 buttons (figure 2) for approximately 2 seconds until the associated output LED begins to blink. The output 3 and output 4 video and audio signals are muted.

Figure 2 shows only the indications directly related to the mute operation.

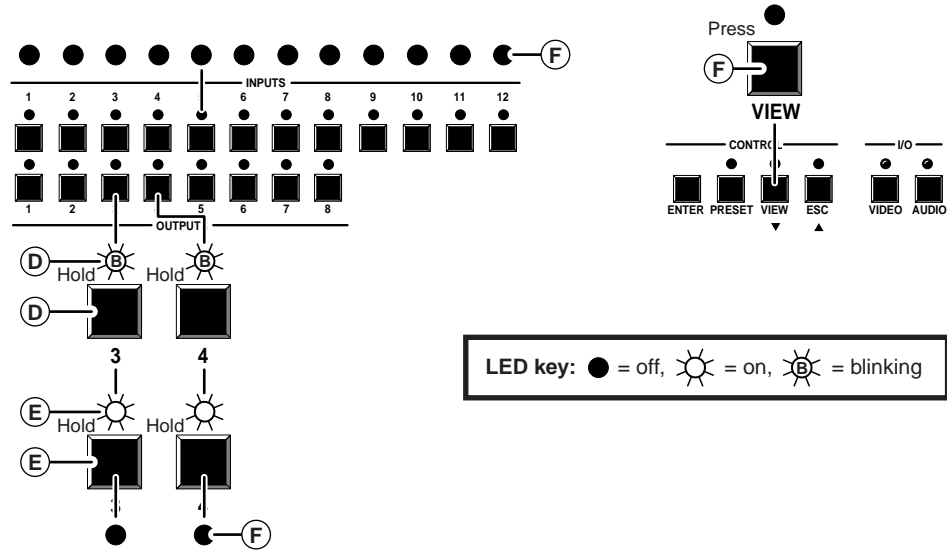


Figure 2 — Example, step d: Muting and unmuting outputs

- Ⓔ One at a time, press and **hold** the Output 3 and Output 4 LEDs for approximately 2 seconds until the associated output LED lights steadily. The output 3 and output 4 video and audio signals are unmuted.
- Ⓕ Press and release the View button to exit view-only mode. The View LED and all input and output LEDs go out.

Command/response table for SIS mute commands

Command	ASCII Command (host to switcher)	Response (switcher to host)	Additional description
Video mute commands			
Video mute	$\boxed{x2}^*1B$	Vmt $\boxed{x2}^*1 \leftarrow$	Mute input $\boxed{x2}$ video (video off).
Video unmute	$\boxed{x2}^*0B$	Vmt $\boxed{x2}^*0 \leftarrow$	Unmute input $\boxed{x2}$ video (video on).
Read video mute	$\boxed{x2}^*B$	$\boxed{xc} \leftarrow$	1= mute on, 0 = mute off.
Global RGB mute	1*B	Vmt1 \leftarrow	
Global RGB unmute	0*B	Vmt0 \leftarrow	
Audio mute commands			
Audio mute	$\boxed{x2}^*1Z$	Amt $\boxed{x2}^*1 \leftarrow$	Mute input $\boxed{x2}$ video (video off).
Audio unmute	$\boxed{x2}^*0Z$	Amt $\boxed{x2}^*0 \leftarrow$	Unmute input $\boxed{x2}$ video (video on).
Read audio mute	$\boxed{x2}^*Z$	$\boxed{xc} \leftarrow$	1= mute on, 0 = mute off.
Global audio mute	1*Z	Amt1 \leftarrow	
Global audio unmute	0*Z	Amt0 \leftarrow	



Extron Electronics, USA
 1230 South Lewis Street
 Anaheim, CA 92805
 USA
 714.491.1500
 Fax 714.491.1517

Extron Electronics, Europe
 Beeldschermweg 6C
 3821 AH Amersfoort
 The Netherlands
 +31.33.453.4040
 Fax +31.33.453.4050

Extron Electronics, Asia
 135 Joo Seng Road, #04-01
 PM Industrial Building
 Singapore 368363
 +65.6383.4400
 Fax +65.6383.4664

Extron Electronics, Japan
 Daisan DMJ Building 6F
 3-9-1 Kudan Minami
 Chiyoda-ku, Tokyo 102-0074 Japan
 +81.3.3511.7655
 Fax +81.3.3511.7656