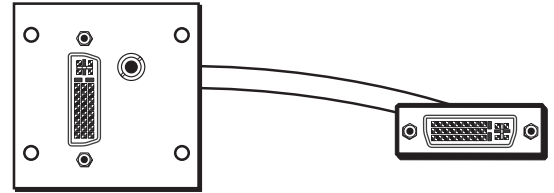


MAAP DVI-DL Installation Guide

The Extron MAAP DVI-DL is a triple-space mini architectural adapter plate (MAAP) with a mounted 10-inch DVI pigtail and a 3.5 mm stereo jack with solder tabs. The MAAP DVI-DL is compatible with DVI-DL (Dual Link D), DVI-I Single Link, DVI-D (Digital only), and DVI-A (analog only). The MAAP DVI-DL provides the following:

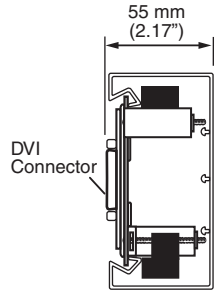
- One DVI-I computer video connector mounted on the plate
- One DVI-I connector on a 10-inch pigtail
- One 3.5 mm stereo audio mini barrel jack with solder tabs
- 55 mm (2.17 inches) minimum depth



NOTE In North America, this product must be installed only in a UL-listed junction box, in accordance with the National Electrical Code.

Installing the MAAP DVI-DL

The MAAP DVI-DL can be mounted to any Extron mounting product that accommodates three-space MAAP products. It can also be installed in a 50 mm raceway; with the addition of MAAP 201 EU frame, the minimum depth of 55 mm (2.17 inches) is met. (See the side view diagram at right.)



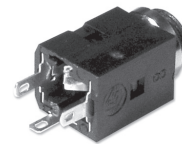
Cabling

DVI — Insert a male DVI-I (Dual Link or Single Link), DVI-D (Dual Link or Single Link), or DVI-A (analog only) cable into either or both DVI connectors.

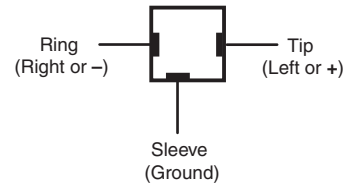
Audio — The tabs on the 3.5 mm mini audio jack can accept wire gauges up to 4 AWG. Solder the audio cable to the three tabs as described below and illustrated at right.

- For **balanced mono audio**: ring = -, tip = +, sleeve = **ground**
- For **unbalanced stereo audio**: ring = **right**, tip = **left**, sleeve = **ground**

NOTE It is recommended that you remove the audio jack from the MAAP plate before soldering to avoid getting solder on any other part of the MAAP. Replace the connector after the wire is attached.



Solder the audio cable to three tabs.

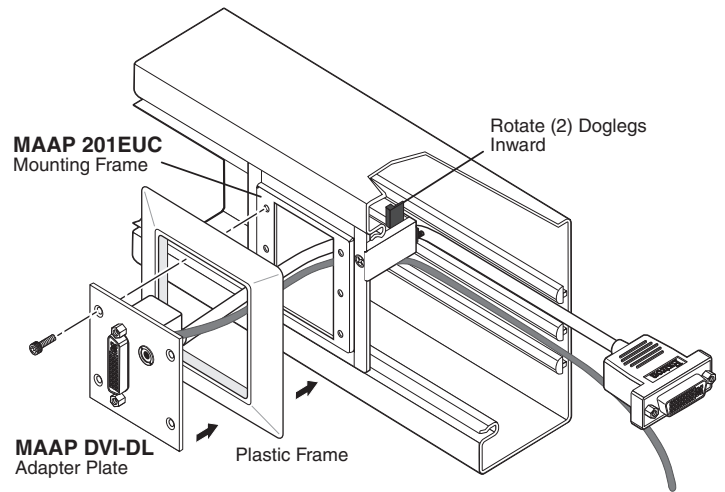


68-1802-01 Rev. A 10 09

MAAP DVI-DL Installation Guide (Cont'd)

Installing on a Raceway

1. Place the MAAP 201 frame in the front opening of the raceway so that it rests against the back supports.
2. Turn the two screws on the bracket so that the doglegs rotate behind the back support until they clamp securely to it. (See the illustration at right.)
3. Place the plastic frame over the metal bracket in the opening of the raceway and press the frame into place.
4. Thread the cables from the raceway out through the mounting bracket and plastic frame and connect them to the MAAP.
 - Solder the audio cable to the barrel jack on the back of the MAAP plate (see "Cabling" on the front side).
 - Connect a DVI device cable to the DVI connector on the pigtail.



CAUTION Do not place additional cables behind the MAAP's pigtail and audio cables within the raceway. Doing this will crowd the MAAP cables, which could cause them to bend too sharply and be damaged.

5. Seat the MAAP plate in the plastic frame, aligning the four holes in the plate with the four holes in the metal mounting bracket.
6. Use the four provided hex screws to attach the MAAP plate to the metal bracket.

Included Parts	Part number
MAAP DVI-DL with 10-inch pigtail	
Black (US only)	70-717-02
White (US only)	70-717-03
RAL 9010 white	70-717-05

Included Parts
Hex wrench and four screws
Installation Guide