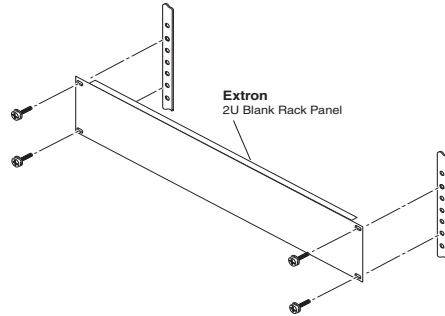


## Blank Rack Panel Installation Instructions

The Extron Blank Rack Panel provides rack uniformity by filling gaps between Extron rack-mountable products. The rack panel integrates seamlessly into standard 19" equipment racks and is available in 1U, 2U, 3U, 4U, 5U, and 6U sizes. Mount the rack panel to the front of the equipment rack as follows:

1. Position the rack panel to cover a gap on the equipment rack, aligning the holes in the rack panel with those of the rack.
2. Secure the rack panel to the equipment rack using the supplied machine screws.



**Extron Electronics, USA**  
1230 South Lewis Street  
Anaheim, CA 92805  
USA  
714.491.1500  
Fax 714.491.1517

**Extron Electronics, Europe**  
Beeldschermweg 6C  
3821 AH Amersfoort  
The Netherlands  
+31.33.453.4040  
Fax +31.33.453.4050

**Extron Electronics, Asia**  
135 Joo Seng Road, #04-01  
PM Industrial Building  
Singapore 368363  
+65.6383.4400  
Fax +65.6383.4664

**Extron Electronics, Japan**  
Daisan DMJ Building 6F  
3-9-1 Kudan Minami  
Chiyoda-ku, Tokyo 102-0074 Japan  
+81.3.3511.7655  
Fax +81.3.3511.7656

68-1029-01  
**Rev. A**  
07 04