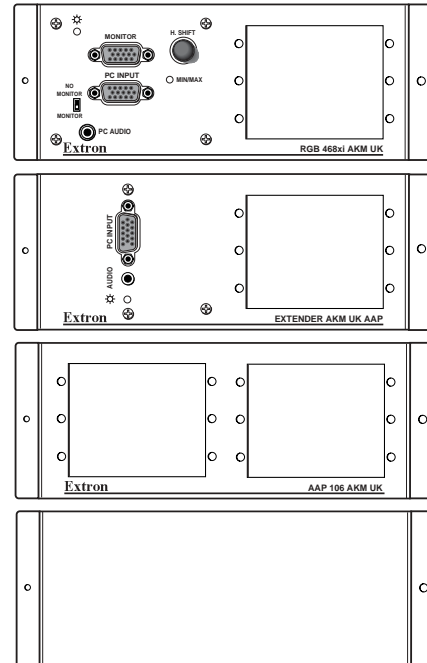


AKM UK Series Installation Guide

This guide provides installation instructions for the following Extron AKM UK Series faceplates, designed for use with the Ackermann CRX 4090 or CRX 4120 floor box:

- **RGB 468xi AKM UK**, which consists of an RGB 460xi Series interface and space for three single-size AAPs. Part number: 60-626-01.
- **Extender AKM UK AAP**, which consists of an Extender Series VGA line driver with audio and space for three single-size AAPs. Part number: 60-627-01.
- **AAP 106 AKM UK**, which consists of space for six single-size AAPs with no electronics. Part number: 60-628-01.
- **AKM UK Blank**, which has no electronics or AAP openings and is used to cover any openings left after installing other AKM UK Series faceplates in the floor box. Part number: 60-629-01.



CAUTION To ensure correct equipment placement and operation, this installation procedure should be performed by authorized personnel only.

Preparing the Installation Site

Take the following steps to prepare the installation site:

1. Determine the electronics, AAPs, and cabling required for this installation. The Ackermann CRX 4090/CRX 4120 floor box can accommodate four AKM UK faceplates.
2. Turn off all equipment. Make sure the computer, interface, and output devices (e.g., projector, monitor, etc.) are all turned off and disconnected from the power source.
3. Select an installation site that allows cable runs without interference. Allow enough depth for both the floor box and the cables.
4. Install the floor box in accordance with the documentation that accompanied the floor box.
5. Route all cables required for the installation through the floor box punch-out holes.

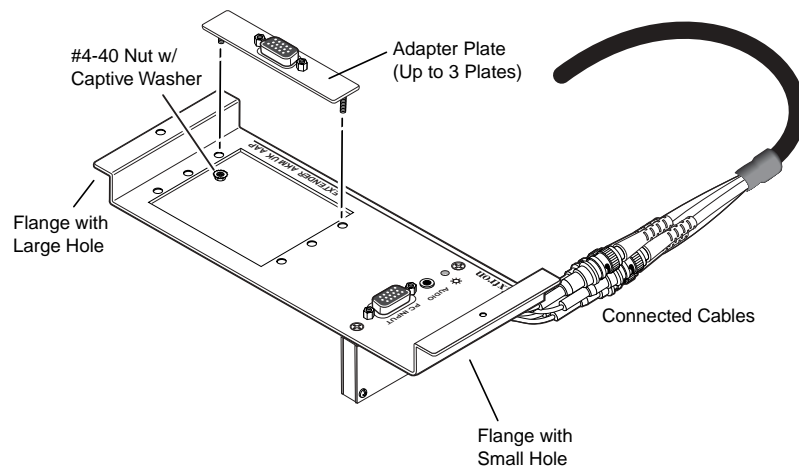
CAUTION Exposed cable shields (braids or foil) are potential sources of short circuits. To prevent short circuits, shields should be trimmed back or insulated with heat shrink. Both braided and foil shields should be connected to an equipment ground at the other end of the cable.

AKM UK Series Installation Guide, cont'd

Assembling and Pretesting the Faceplates

The faceplates and optional AAPs must be installed, cabled, and pretested before the faceplates are mounted into the floor box.

1. Unpack the AKM UK faceplates and AAPs.
 - Each faceplate has two screws: a small (#4-40 x 5/16" Phillips pan head) machine screw and a larger (#6-32 x 1/2" Phillips pan head) self-tapping screw. Save these screws for the "Mounting Faceplates in the Floor Box" procedure.
 - Each AAP has four #4-40 nuts and captive washers used to secure the AAP to a faceplate. These nuts will be used in step 2 of this procedure.
2. Attach AAPs to the faceplates.
 - a. Insert the mounted screws on the back of the AAP through holes on the faceplate.
 - b. Secure the AAP to the faceplate using the #4-40 nuts and captive washers provided with the AAP.
 - c. Repeat this step until all AAPs have been installed.



3. Set the gain and any switches on the the interface and other devices built into or attached to the faceplates. Refer to the *RGB 400xi Series User's Manual* (part number 68-542-01), the *Extender Series User's Manual* (part number 68-552-01), or the appropriate manual for the devices being installed.
4. Connect cables to each faceplate.
 - a. Orient each faceplate for proper insertion into the floor box. The faceplate flange with the large hole must be oriented toward the side of the floor box with the smaller (self-tapping) screw holes. (Refer also to the installation figure on the next page.)
 - b. Connect video, audio, and power cables to each device as explained in the documentation that accompanied the device.
5. Connect all output device, interface, and computer power cords and then turn on all devices.

All devices should have power, and the audio and video should be working properly. If not, check all cabling and switch settings, and make adjustments as necessary.

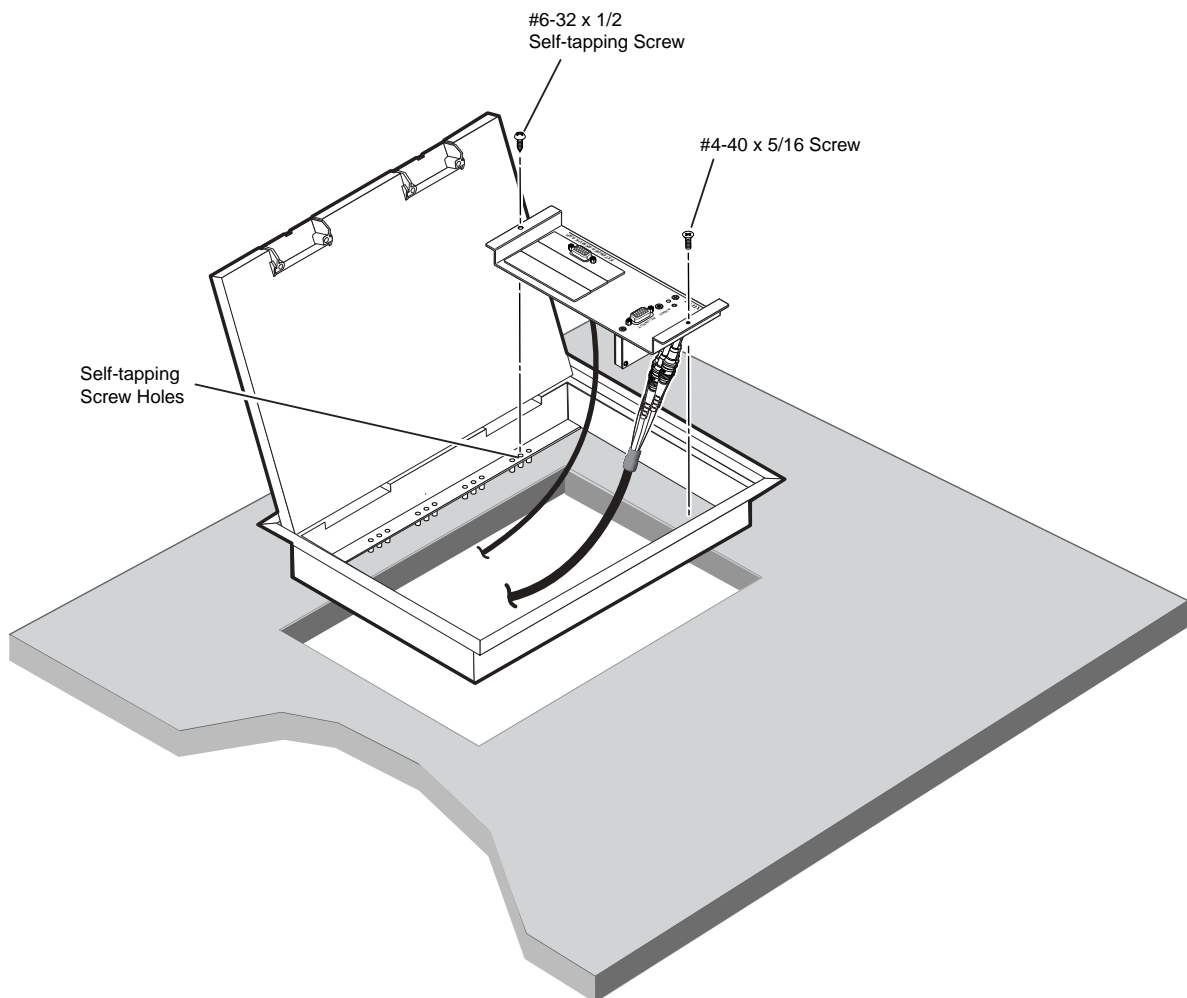
Mounting Faceplates in the Floor Box

To mount the AKM UK faceplates:

1. Turn off all devices and disconnect them from the power source.
2. Install the faceplate into the floor box as follows:
 - a. Insert the faceplate into the floor box so that the flange for the #4-40 x 5/16" screw (smaller screw hole) fits under the floor box frame.
 - b. Allow the other flange to rest on top of the floor box frame on the opposite side. Line up the screws holes on the flanges and frame.

NOTE *You may have to remove the floor box lid to insert and tighten the #4-40 x 5/16" screws. This is not necessary if the lid is installed on the self-tapping screw hold side, as shown in the figure on this page.*

3. Using the small (#4-40 x 5/16") screw, attach the faceplate flange to the underside of the floor box frame.
4. Using the larger (#6-32 x 1/2") screw, attach the other faceplate flange to the floor box frame.
5. Repeat steps 1 to 4 to install other faceplates.
6. Restore power to all devices.





Extron Electronics, USA

1230 South Lewis Street
Anaheim, CA 92805
USA
714.491.1500
Fax 714.491.1517

Extron Electronics, Europe

Beeldschermweg 6C
3821 AH Amersfoort
The Netherlands
+31.33.453.4040
Fax +31.33.453.4050

Extron Electronics, Asia

135 Joo Seng Road, #04-01
PM Industrial Building
Singapore 368363
+65.6383.4400
Fax +65.6383.4664

Extron Electronics, Japan

Daisan DMJ Building 6F
3-9-1 Kudan Minami
Chiyoda-ku, Tokyo 102-0074 Japan
+81.3.3511.7655
Fax +81.3.3511.7656

Copyright © 2003 Extron Electronics. All rights reserved.