

# GSS 100 • Setup Guide

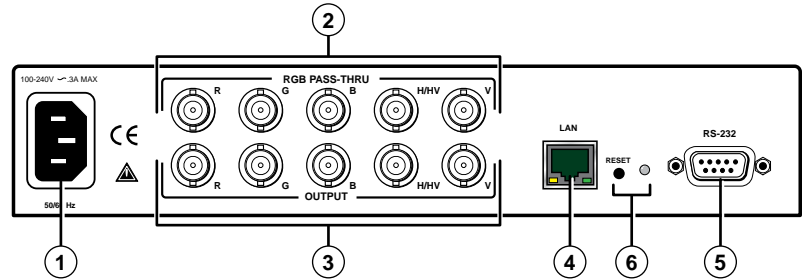
The Extron GSS 100 is a portable graphic still store with 16 MB of memory that can hold up to 6 XGA (1024 x 768) bitmap images (BMP) or 32 or more XGA JPEG images.

The GSS outputs stored images in an RGB video format. The GSS provides a pass-through RGB video input, in addition to the stored images, and allows you to switch the output between the RGB pass-through input and one of the stored images.

**IMPORTANT:**  
Refer to [www.extron.com](http://www.extron.com) for the complete user guide and installation instructions before connecting the product to the power source.

## Connections

- ① **AC power connector** — Plug a standard IEC power cord into this connector to connect the GSS to a 100 VAC to 240 VAC, 50 or 60 Hz power source.
- ② **RGB Pass-thru connectors** — Connect a high resolution video input or computer input to these female, BNC connectors.
- ③ **Output connectors** — Connect an RGB video display or other device to these female BNC connectors.



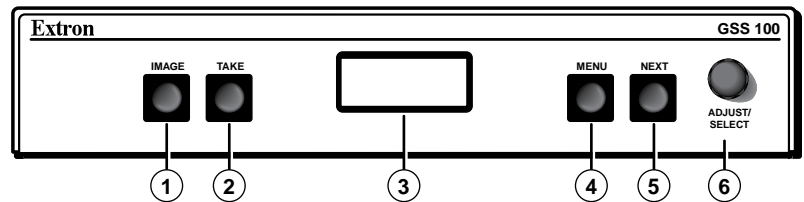
**NOTE:** The still image output format (RGBHV or RGBS) must be configured using the front panel controls or a Simple Instruction Set (SIS™) command. The output format applies only to the output of still images stored in the GSS; the RGB Pass-through video is output exactly as it is input.

- ④ **LAN port** — Connect the GSS to a PC or to an Ethernet LAN, via this RJ-45 connector. You can use the HTML pages embedded in the GSS to upload still images from the PC to the GSS and to control the GSS. You can also use a PC to control the GSS with SIS commands. The default address is 192.168.254.254.
- ⑤ **RS-232 port** — Connect a computer or control system to this 9-pin D connector to allow remote control using the SIS commands.
- ⑥ **Reset button** — See the *GSS 100 User Guide* for greater detail.

Pin	RS-232	Function
1	—	Not used
2	Tx	Transmit data
3	Rx	Receive data
4	—	Not used
5	Gnd	Signal ground
6 - 9	—	Not used

## Controls and Indicators

- ① **Image button** — Press this button to activate the menu on the LCD display (③) that allows you to select between the RGB pass-through input and one of the stored images.
- ② **Take button** — Press this button to activate either the RGB pass-through input or one of the stored images.
- ③ **LCD display** — 8-column by 2-line screen
- ④ **Menu button** — Press the Menu button to enter and move through the main menu system in the GSS.
- ⑤ **Next button** — Press the Next button to step through the submenus in the GSS menu system.
- ⑥ **Adjust/Select knob** — Rotate the Adjust/Select knob to change a setting when it is used in conjunction with the Image and Take buttons or the Menu and Next buttons.



# GSS 100 • Setup Guide

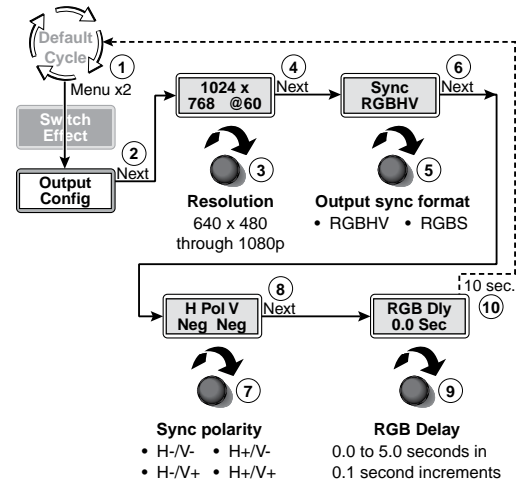
## Operation

### Graphic File Considerations

- The only valid file formats for stored images are \*.bmp and \*.jpg.
- Valid file names are up to 240 alphanumeric characters with no spaces.
- Progressive \*.jpg images are not supported.
- Bitmap (\*.bmp) images must be formatted as 24-bit RGB.
- The GSS 100 does not scale images. An 800 x 600 BMP file does not fill a 1024 x 768 output. Thus, images should be mastered at the output resolution of the GSS.
- 1080i and 1080p files need to be mastered at a resolution of 1440 x 1080 instead of 1920 x 1080.

### Configuring the Output

1. On the front panel, with the LCD displaying the default display cycle, press the Menu button twice to display the Output Configuration menu.
2. Press the Next button to display the Resolution submenu.
3. Rotate the Adjust/Select knob to select the output resolution of the stored images.
4. Press the Next button to display the Sync submenu.
5. Rotate the Adjust/Select knob to select between RGBHV and RGBS.
6. Press the Next button to select the Polarity submenu.
7. Rotate the Adjust/Select knob to select among the sync polarities.
8. Press the Next button to select the RGB Delay submenu.
9. Rotate the Adjust/Select knob to set how long the GSS mutes the RGB output before displaying the RGB pass-through input.



### Uploading (Adding) an Image

1. Connect the GSS to a PC or to a network and open the embedded web pages. See the *GSS 100 User Guide* for more detail.
2. Click the **Images** tab to access the Image Settings page.
3. Click the **Add** button. The **Add Image** field appears.



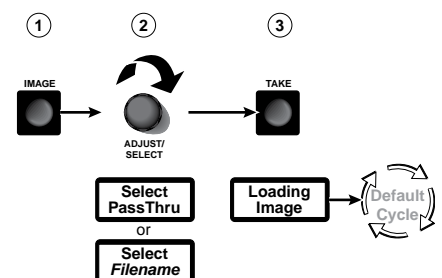
4. Click the **Browse** button. The Choose File window appears.
5. Browse through your system and select the desired image file.
6. Click the **Open** button. The complete file location and name appear in the **Add Image** field.
7. Click the **Upload Image** button. After several seconds, a thumbnail of the uploaded image appears in the Image Index portion of the page and the image is available for display.



**NOTE:** Do NOT navigate away from the page until the thumbnail appears.

### Selecting an Image to Display

1. On the front panel, press the Image button.
2. Rotate the Adjust/Select knob to select either PassThru or one of the previously loaded images by file name.
3. Press the Take button. The LCD shows Loading Image and then returns to the default display cycle once the image is loaded.



**TIP:** As an alternative, you can select an image using the embedded web pages of the GSS 100. On the Images tab, click a thumbnail and click the **Take** button.

## Deleting a Stored Image

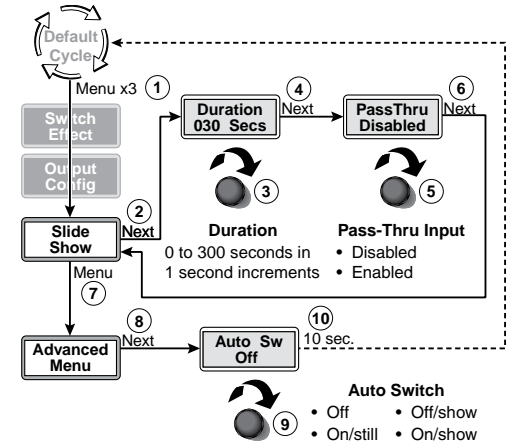
1. Connect the GSS to a PC or to a network and open the embedded web pages. See the *GSS 100 User Guide* for greater detail.
2. Click the **Images** tab to access the Image Settings page.
3. Select (click) the thumbnail of the image to be deleted.
4. Click the **Delete** button. A confirmation message appears.
5. Click the **Ok** button.

## Starting a Slide Show and Auto-switch Mode

1. On the front panel, with the LCD displaying the default display cycle, press the Menu button three times to display the Slide Show menu.
2. Press the Next button to display the Duration submenu.
3. Rotate the Adjust/Select knob to set how long each slide is displayed in a slide show from 0 to 300 seconds.

**NOTE:** The actual time that an image is displayed may vary, based on the decoding time of the next image in the slide show.

4. Press the Next button to display the Pass-Thru submenu.
5. If desired, rotate the Adjust/Select knob to toggle between Disabled and Enabled.
6. Press the Next button to return to the Slide Show menu.
7. Press the Menu button to display the Advanced menu.
8. Press the Next button to display the Auto-Switch mode submenu.
9. Rotate the Adjust/Select knob to select among the Auto switch modes:
  - **Off (auto-switch mode off and slide show off)** — Deactivates the automatic sync detection and the slide show.
  - **Off/show (auto-switch off and slide show on)** — Leaves the automatic sync detection off and manually initiates the slide show. If the pass-through input was displayed when this selection is made, the GSS displays the first image alphabetically by file name.
  - **On/still (auto-switch on and slide show off)** — Activates the automatic sync detection and auto-switches to a stored image. If sync is lost, the GSS switches to the last displayed image that was output and displays that image until sync is restored or you select another image to display.
  - **On/show (auto-switch on and slide show on)** — Activates the automatic sync detection and auto-switches to the slide show. If sync is lost, the GSS switches to the last-displayed image and begins to cycle through the available images.

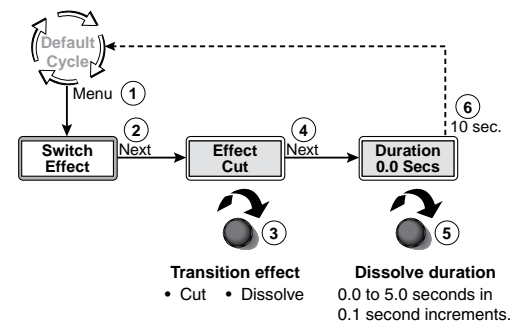


## Setting the Switch Effect and Dissolve Duration

1. On the front panel, with the LCD displaying the default display cycle, press the Menu button to display the Switch Effect menu.
2. Press the Next button to display the Effect submenu.
3. Rotate the Adjust/Select knob to select either Cut (immediate switch) or Dissolve (the image dissolves from old to new).

**NOTE:** If you selected Dissolve in step 3, you are finished. Allow the 10-second timeout to elapse.

4. Press the Next button to display the Duration submenu.
5. Rotate the Adjust/Select knob to the duration of the dissolve effect.
6. Allow the 10-second timeout to elapse.



## Front Panel Security Lockout (Executive Mode)

The front panel security lockout (lock mode 1) limits the operation of the GSS from the front panel to the Image and Take buttons only. Press and **hold** the Image button and the Next button simultaneously for approximately 2 seconds to toggle the lock on and off.

**NOTE:** Lock mode 2, available using SIS commands only, completely locks the front panel, including the Menu and Next buttons (see the "[Selected SIS Commands](#)" section).

