

## ASA 204 and ASA 304 • User Guide

### About the ASA Series

The Extron ASA series high-performance audio summing amplifiers convert stereo audio signals into balanced or unbalanced mono signals. The series consists of the following two models:

- **ASA 204** — The ASA 204 has four independent active summing amps with four pairs of RCA connectors for unbalanced line level stereo audio inputs. The unit has captive screw connectors for four balanced or unbalanced mono outputs. Because of its input/output configuration, the ASA 204 can also function as an unbalanced to balanced audio converter.
- **ASA 304** — The ASA 304 has four independent active summing amps with four 5-pole captive screw connectors for balanced or unbalanced line level stereo audio inputs. The unit has captive screw connectors for four balanced or unbalanced mono outputs.

The ASA 204 and ASA 304 include an external 12V power supply that accepts 100-240VAC input.

### Features

- Four, independent active audio summing amplifiers in a single enclosure
- Stereo inputs on RCA connectors, mono output on captive screw connectors
- Converts stereo audio to balanced or unbalanced mono audio
- $\pm 6$  dB output gain switch
- Rack-mountable 1U, quarter rack width metal enclosure
- Extron Everlast Power Supply (included) is covered by a 7-year parts and labor warranty

## Installation and Operation

### Mounting the ASA 204 and ASA 304

The ASA 204 and ASA 304 can be set on a table, or mounted on a rack shelf, under a desk or tabletop, or on a projector mount.

#### Tabletop placement

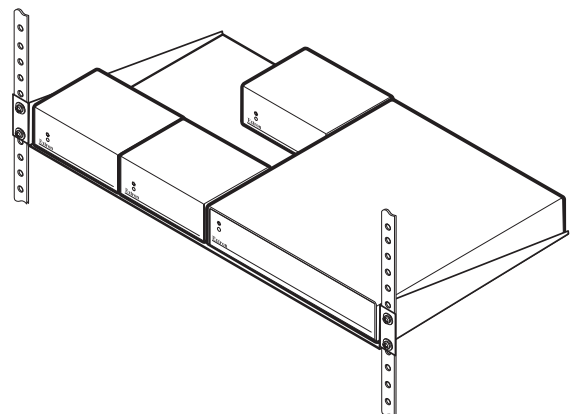
Attach the four provided rubber feet to the bottom of the unit and place it on a convenient tabletop location.

#### Rack mounting

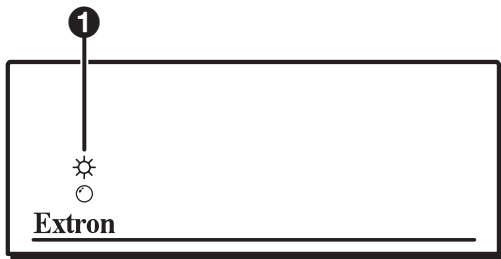
For optional rack mounting, do not install the rubber feet. Mount the ASA on a 19" 1U rack shelf or a standard universal 1U rack shelf. On the standard rack shelf, the ASA mounts in one of four locations to the rear of the rack or in one of four locations to the front of the rack.

1. Remove rubber feet if they were previously installed on the bottom of the ASA.
2. Mount the ASA on the rack shelf, using two 4-40 x 3/16" screws in opposite (diagonal) corners to secure the amplifier to the shelf.
3. Install blank panels or other units on the rack shelf (see the image on the right).
4. Attach the rack shelf to the rack using the supplied bolts.

**NOTE:** Most 1U rack-mountable Extron products can be mounted on the standard shelf.



## ASA 204/ASA 304 Front Panel Features



1 Power LED — Lights to indicate that the ASA is on.

Figure 1. ASA 204 and ASA 304 Front Panel

## ASA 204/ASA 304 Rear Panel Features and Cabling

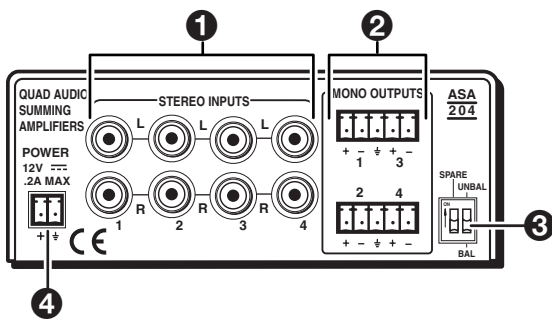


Figure 2. ASA 204 Rear Panel

- 1 Input Connector
- 2 Output Connector

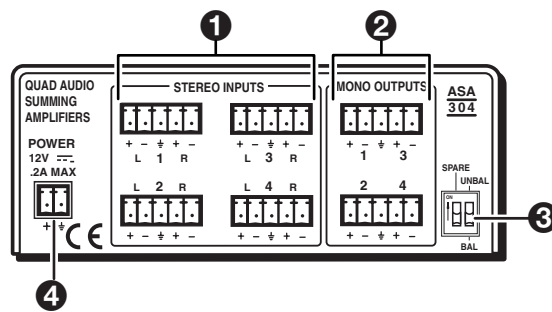
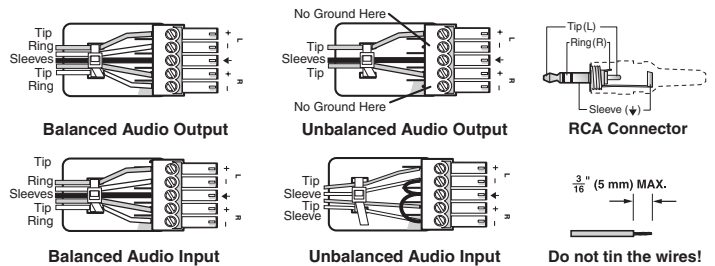


Figure 3. ASA 304 Rear Panel

- 3 Output gain DIP switch
- 4 Power connector

Wire the audio input and output connectors as shown at right. Use the supplied tie wrap to strap the audio cable to the extended tail of the connector.



### ATTENTION:

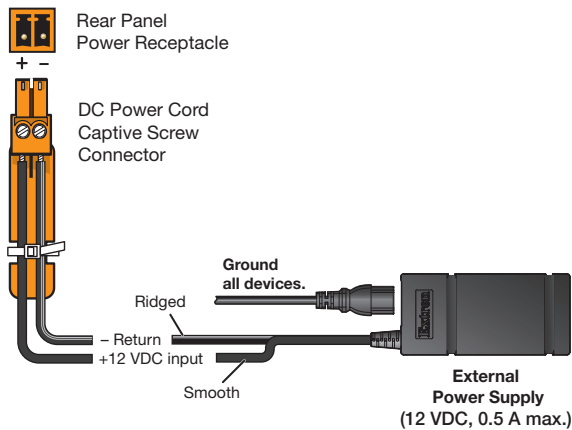
- Connect the sleeve to ground (Gnd). Connecting the sleeve to a negative (-) terminal will damage the audio output circuits.
- Connectez le manchon à la borne de terre (Gnd). Connecter le manchon à une borne négative (-) endommagera les circuits de la sortie audio.
- For unbalanced outputs, do not connect wires to the “-” poles (see the Extron Audio Wiring Card).
- Pour les sorties asymétriques, ne connectez pas de câbles aux pôles « - » (voir le Audio Wiring Card d’Extron).
- The length of exposed wires is **critical**. The ideal length is 3/16 inch (5 mm).
- La longueur des câbles exposés est **primordiale** lorsque l’on entreprend de les dénuder. La longueur idéale est de 5 mm (3/16 inches).

**3 Output gain DIP switch** — Use this switch to set the audio output gain level.

Gain levels available via the switch vary depending on whether both inputs are receiving signals, and on the output wiring, as shown in the table below.

Input Channel		Output Wiring	Output DIP Switch Settings	
Left	Right		Unbalanced	Balanced
signal	signal	balanced	+9dB	+3dB
signal	--	balanced	+3dB	-3dB
--	signal	balanced	+3dB	-3dB
signal	signal	unbalanced	+3dB	-3dB
signal	--	unbalanced	-3dB	-9dB
--	signal	unbalanced	-3dB	-9dB

**4 Power connector** — An external 12 V power supply is included with the unit. Plug it into this 2-pole captive screw connector. Wire the connector as shown below.



**Figure 4. Rear Panel 12 VDC Power Connector**

**CAUTION:** The DC output cables must be kept separate from each other while the power supply is plugged in. Remove power before wiring

**AVERTISSEMENT :** Les câbles de sortie CC doivent être séparés les uns des autres tant que la source d'alimentation est branchée. Coupez l'alimentation avant d'effectuer les raccordements.

**ATTENTION:**

- **Do not** connect power to the amplifier until you have read the ATTENTION notifications.
- Ne branchez pas l'alimentation au l'amplificateur avant d'avoir lu les mises en garde « ATTENTION ».
- Always use a power supply supplied or specified by Extron. Use of an unauthorized power supply voids all regulatory compliance certification and may cause damage to the supply and the end product.
- Utilisez toujours une source d'alimentation fournie ou recommandée par Extron. L'utilisation d'une source d'alimentation non autorisée annule toute certification de conformité réglementaire et peut endommager la source d'alimentation et l'unité.
- If not provided with a power supply, this product is intended to be supplied by a power source marked "Class 2" or "LPS" and rated at 12 VDC and a minimum of 0.5 A.
- Si le produit n'est pas fourni avec une source d'alimentation, il doit être alimenté par une source d'alimentation de classe 2 ou LPS, avec une tension nominale 12 Vcc, 0,5 A minimum.

**ATTENTION:**

- The installation must always be in accordance with the applicable provisions of National Electrical Code ANSI/NFPA 70, article 725 and the Canadian Electrical Code part 1, section 16. The power supply shall not be permanently fixed to building structure or similar structure.
- Cette installation doit toujours être conforme aux dispositions applicables du Code américain de l'électricité (National Electrical Code) ANSI/NFPA 70, article 725, et du Code canadien de l'électricité, partie 1, section 16. La source d'alimentation ne devra pas être fixée de façon permanente à une structure de bâtiment ou à une structure similaire.
- Power supply voltage polarity is critical. Incorrect voltage polarity can damage the power supply and the unit. The ridges on the side of the cord (see **figure 4** on the previous page) identify the power cord negative lead.
- La polarité de la source d'alimentation est primordiale. Une polarité incorrecte pourrait endommager la source d'alimentation et l'unité. Les stries sur le côté du cordon (voir **figure 4**) permettent de repérer le pôle négatif du cordon d'alimentation.
- To verify the polarity before connection, plug in the power supply with no load and check the output with a voltmeter.
- Pour vérifier la polarité avant la connexion, brancher l'alimentation hors charge et mesurer sa sortie avec un voltmètre.
- The length of the exposed (stripped) wires is important. **The ideal length is 3/16 inch (5 mm)**. Any longer and the exposed wires may touch, causing a short circuit between them. Any shorter and the wires can be easily pulled out even if tightly fastened by the captive screws.
- La longueur des câbles exposés est primordiale lorsque l'on entreprend de les dénuder. **La longueur idéale est de 5 mm (3/16 inches)**. S'ils sont trop longs, les câbles exposés pourraient se toucher et provoquer un court circuit. S'ils sont trop courts, ils peuvent être tirés facilement, même s'ils sont correctement serrés par les borniers à vis.
- Unless otherwise stated, the AC/DC adapters are not suitable for use in air handling spaces or in wall cavities.
- Sauf mention contraire, les adaptateurs CA/CC ne conviennent pas à une utilisation dans les espaces d'aération ou dans les cavités murales.
- Remote power is intended for indoors use only. No part of a network that uses remote power can be routed outdoors.
- L'alimentation à distance est exclusivement réservée à un usage en intérieur. Un réseau utilisant une alimentation à distance ne peut pas être routé en extérieur.

For information on safety guidelines, regulatory compliances, EMI/EMF compatibility, accessibility, and related topics, see the **Extron Safety and Regulatory Compliance Guide** on the Extron website.