

User's Guide



AAP 100 MD

MD Floor Box AAP Bracket Installation Kit

Installation

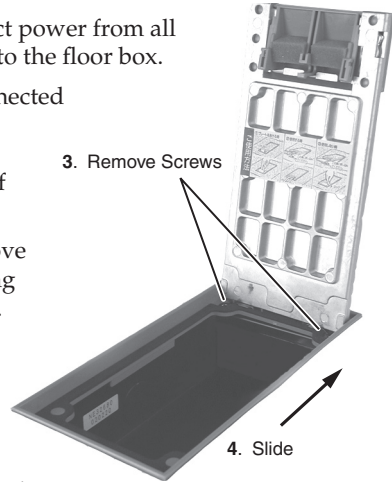
Introduction

This guide covers installation of the Extron MD Floor Box AAP Bracket Kit in a Matsushita Denko (MD) floor box. It shows removal of the old bracket and installation of the new bracket/AAP unit.

Installation

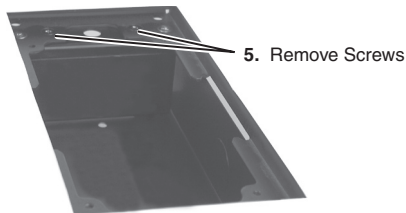
CAUTION *Installation and service must be performed by authorized personnel only.*

1. Turn off and disconnect power from all equipment connected to the floor box.
2. Remove all cables connected to the portion of the floor box accessible when the lid is open (if applicable).
3. Open the lid and remove the two screws securing the lid to the floor box.
4. Remove the lid from the floor box by sliding the lid **toward** the hinge to disengage it from the box, then put the lid aside.



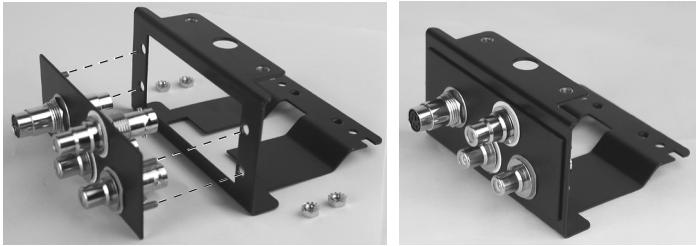
NOTE *If there is no adapter plate or blank plate installed, skip to step 8.*

5. Remove the two screws securing the old adapter plate bracket to the box.

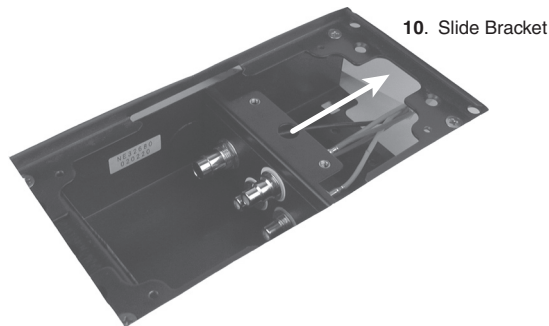


6. Slide the adapter plate bracket to the center of the box and disconnect the cables attached to the back side of the adapter plate.
7. Remove the old adapter plate bracket and adapter plate unit from the floor box.

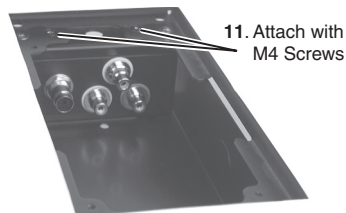
-
- Attach and secure any single or double Extron AAP (for example, the double AAP shown below) to the MD AAP bracket with the 4-40 mounting nuts provided.



- Connect cables, if applicable, to the back of the AAP to be installed.



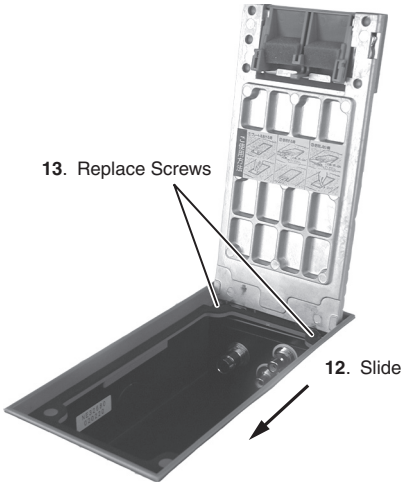
- Place the MD AAP bracket into the floor box (as shown above), routing any cables through the back of the box and slide it in the direction shown.



- Align the two screw holes in the top of the new AAP bracket with the holes in the box. Attach the bracket with the two M4 screws provided.

Installation, cont'd

- Place the lid on the floor box and slide it away from the hinge to engage the tabs on the box.
- Reinstall the two previously removed screws, securing the lid to the box.



- Reconnect power and cables, as necessary.

Optional Extron Architectural Adapter Plates

A variety of optional architectural adapter plates for pass-through connections may be ordered for the MD floor box AAP bracket. Visit the Extron website at www.extron.com for additional information.

The AAP bracket can have up to two architectural adapter plates installed, depending on the configuration selected.

The following configurations of architectural adapter plates could be installed in the MD floor box adapter plate:

- two single spaced AAPs
- one double spaced AAP

Extron USA - West
Headquarters
+800.633.9876
Inside USA / Canada Only
+1.714.491.1500
+1.714.491.1517 FAX

Extron USA - East
+800.633.9876
Inside USA / Canada Only
+1.919.863.1794
+1.919.863.1797 FAX

Extron EMEA
+800.3987.6673
Inside Europe Only
+31.33.453.4040
+31.33.453.4050 FAX

Extron Asia
+800.7339.8766
Inside Asia Only
+65.6383.4400
+65.6383.4664 FAX

Extron Japan
+81.3.3511.7655
+81.3.3511.7656 FAX

Extron China
+400.883.1568
Inside China Only
+86.21.3760.1568
+86.21.3760.1566 FAX

Extron Middle East
+971.4.2991800
+971.4.2991880 FAX