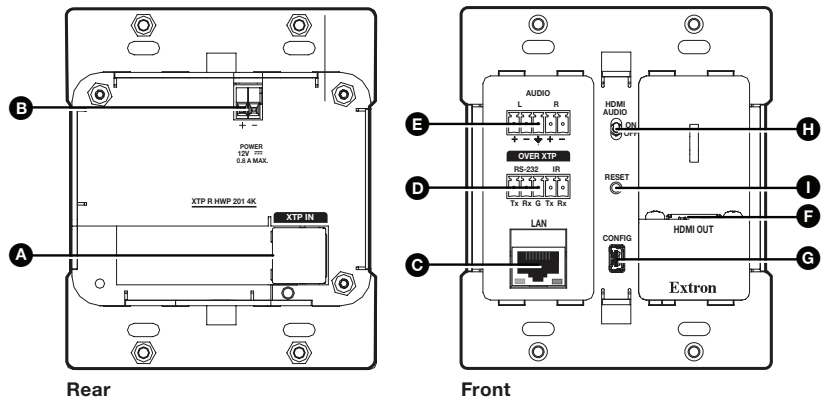


## XTP R HWP 201 4K • Setup Guide

**IMPORTANT:**  
Go to [www.extron.com](http://www.extron.com) for the complete user guide, installation instructions, and specifications before connecting the product to the power source.

The XTP R HWP 201 4K is a single output XTP decorator-style wallplate receiver that can be installed into the provided mud ring or an optional UL Listed metal junction box. This guide provides instructions for an experienced installer to install and connect the XTP R HWP 201 4K.

Throughput, Power, and Control Connectors	Input, Control, and Front Panel Features
<b>A</b> XTP input connector	<b>E</b> Analog audio output connector
<b>B</b> DC power connector	<b>F</b> HDMI output connector
<b>C</b> LAN connector	<b>G</b> USB configuration connector
<b>D</b> RS-232 and IR Over XTP connector	<b>H</b> HDMI audio switch
	<b>I</b> Reset button



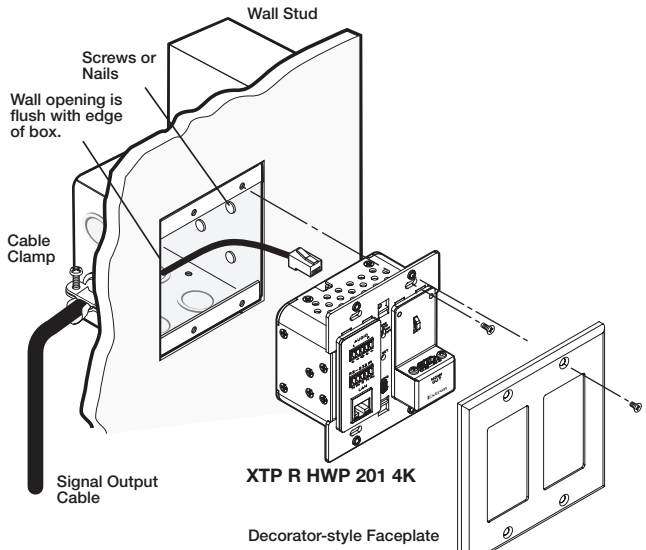
**Figure 1.** XTP R HWP 201 4K Rear (Left) and Front (Right) Panel Features

### Installation

**NOTE:** If a junction box is required, use a metal box only.

Ensure the installation meets building, electrical, and safety codes. For additional mounting considerations, see the *XTP R HWP 201 4K User Guide* at [www.extron.com](http://www.extron.com). For metal junction boxes, refer to the manufacturer for additional mounting instructions and considerations.

**ATTENTION:** Do not mount multiple devices adjacent to each other in the same metal junction box. Add at least a one gang space between devices.



**Figure 2.** Metal Junction Box Installation

### Installing a Junction Box or Mud Ring

Follow the steps below if mounting the XTP R HWP 201 4K in a junction box or mud ring.

#### Installation site preparation

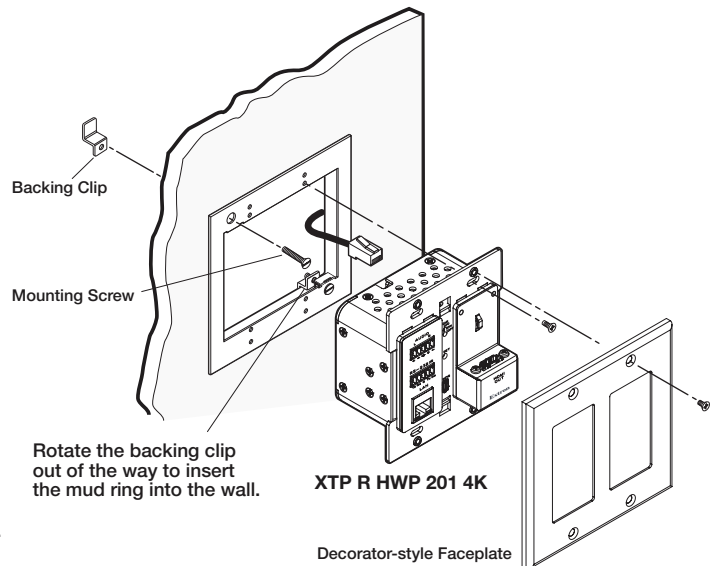
- Use a soft pencil to mark guidelines on the mounting surface. For accuracy, use a template or the mounting enclosure.

**NOTE:** Install junction boxes against wall studs.

- Cut a hole in the wall. To avoid making the hole too big, cut inside the marked lines.
- If using the mud ring in a wall with insulation inside, remove at least 6 inches of the insulation around the cutout. If a wall stud interferes with removing the insulation, remove as much insulation as possible between the cutout and the wall stud.
- Test the fit by inserting the mud ring or metal junction box into the hole in the wall. If necessary, enlarge the hole as needed.

#### Metal junction box or mud ring installation

- To install a UL Listed metal junction box (see figure 2), use mounting screws to fasten the box to a wall stud.
- To install the provided mud ring (see figure 3), attach the mounting screws to the mud ring and loosely attach backing clips to the ends of the screws. Rotate the backing clips so the mud ring fits in the opening and then tighten them to fit snugly against the back of the wall.



**Figure 3.** Mud Ring Installation

# Cabling and Mounting the XTP R HWP 201 4K

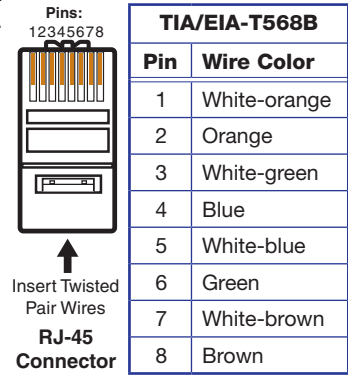
## Rear panel connections

1. Connect a shielded twisted pair cable between the XTP input connector on the receiver (see figure 1, A on the previous page) and the XTP output connector on an XTP twisted pair transmitter or XTP matrix switcher.

**ATTENTION:** Do not connect this connector to a computer data or telecommunications network.

The XTP R HWP 201 4K is compatible with shielded twisted pair (F/UTP, SF/UTP, and S/FTP) cables. Extron recommends using the following practices to achieve full transmission distances up to 330 feet (100 meters) and reduce transmission errors.

- Use Extron XTP DTP 24 SF/UTP cable for the best performance. At a minimum, Extron recommends 24 AWG, solid conductor, STP cable with a minimum bandwidth of 400 MHz.
- Terminate cables with shielded connectors to the TIA/EIA-T568B standard.
- Limit the use of more than two pass-through points, which may include patch points, punch down connectors, couplers, and power injectors. If these pass-through points are required, use shielded couplers and punch down connectors.



**NOTE:** When using shielded twisted pair cable in bundles or conduits, consider the following:

- Do not exceed 40% fill capacity in conduits.
- Do not comb the cable for the first 20 meters, where cables are straightened, aligned, and secured in tight bundles.
- Loosely place cables and limit the use of tie wraps or hook-and-loop fasteners.
- Separate twisted pair cables from AC power cables.

2. Power the XTP R HWP 201 4K in one of the following methods:
  - Connect the provided external power supply to the 2-pole captive screw connector for local 12 V power (see figure 1, B).
  - Connect an XTP Power Injector to the XTP connection between the receiver and a locally powered XTP transmitter or XTP matrix switcher.
  - Connect the XTP R HWP 201 4K to an XTP matrix switcher and enable the remote power feature on the XTP matrix switcher.

## Mounting the XTP R HWP 201 4K to the metal junction box or mud ring

1. Using the provided screws, attach the XTP R HWP 201 4K to the mud ring or metal junction box through the inner screw holes (see figure 2 or 3 on the previous page).
2. Using the provided screws, attach the faceplate to the XTP R HWP 201 4K through the outer screw holes (see figure 2 or 3).

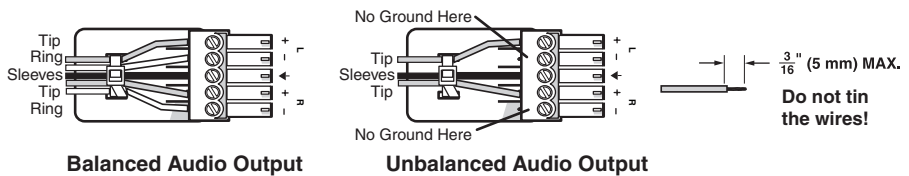
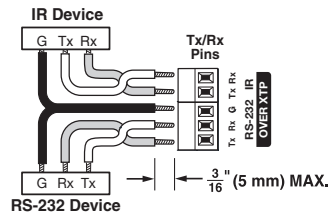
**NOTE:** For configuration, control, and firmware upgrades, connect a host device to the USB mini-B connector before attaching the faceplate (see figure 1, C, and see the XTP R HWP 201 4K User Guide for details).

## Front Panel Connections

1. Connect a host device or control LAN or WAN to the LAN RJ-45 connector for pass-through 10/100 Base-T Ethernet communication (see figure 1, D). This is an Ethernet pass-through port.
2. To pass bidirectional serial, infrared, or other control signals, connect a control device or controllable device to the RS-232 and IR Over XTP connector (see figure 1, E). Wire the connector as shown to the right.

**NOTE:** RS-232 and IR data can be transmitted simultaneously.

3. Connect a balanced or unbalanced, stereo or mono audio output device to the 3.5 mm, 5-pole captive screw connector (see figure 1, E) for 2-channel stereo analog audio. Wire the connector as shown to the right.
4. Connect a digital video display to the female HDMI connector (see figure 1, F).



## Configuration and Control

To configure the receiver, connect a host device to the front panel USB configuration port (see figure 1, G). On the host device, use the Extron XTP software (recommended) or Simple Instruction Set (SIS™) commands via Extron DataViewer (see the XTP R HWP 201 4K User Guide at [www.extron.com](http://www.extron.com) for more information).

For information on safety guidelines, regulatory compliances, EMI/EMF compatibility, accessibility, and related topics, see the [Extron Safety and Regulatory Compliance Guide](#) on the Extron website.