

IMPORTANT:
Go to www.extron.com for the complete user guide, installation instructions, and specifications before connecting the product to the power source.

HD 4K 110 Series • Setup Guide

The Extron HD 4K 110 is an HDMI signal regenerator that maximizes the quality of a digital signal at the beginning of its path. This product reshapes a poor quality output signal, providing optimal image quality.

Installation

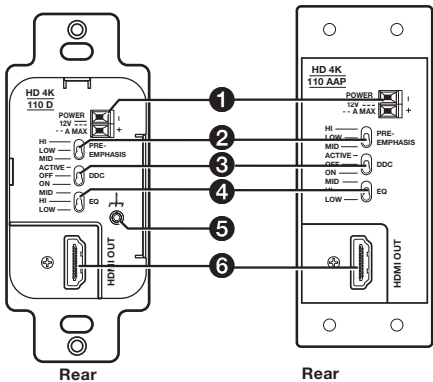
Step 1 - Prepare the mounting location.

Select the installation location. The following mounting options are available:

- The **HD 4K 110 D** can be installed in a standard or compact one-gang wall box or mud ring (see the *HD 4K 110 User Guide* for details on installing the wall box or mud ring).
- The **HD 4K 110 AAP** can be installed in an Extron two-gang, four-gang, or half rack width AAP frame. The AAP frame can be mounted in a wall or furniture using a wall box or mud ring. The HD 4K 110 AAP can also be installed in the faceplate of another Extron device that accepts double-space AAPs (see the mounting instructions for the device).

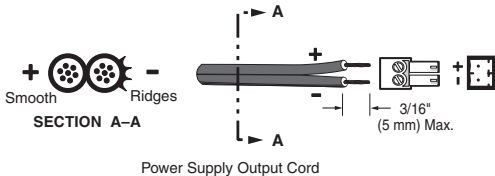
Step 2 - Connect cables to the device.

Rear Panel Features and Connections



- 1 Power connector**
- 2 Pre-Emphasis switch**
- 3 DDC switch**
- 4 EQ switch**
- 5 Ground (decorator-style model only)**
- 6 HDMI output**

- 1 Power connector** — Plug the provided external 12 VDC power supply into this 2-pole captive screw connector. The figure below shows how to wire the connector (see the *HD 4K 110 User Guide* for important safety information).



- 2 Pre-Emphasis switch** — Adjust this switch to compensate for signal degradation in applications with higher data rates, higher resolution, or both. This adjustment is recommended for resolutions of 2560x1600 @ 60 Hz or higher.



- **HI** — 2.5 dB
- **LOW** — None
- **MID** — 1.6 dB

3 DDC switch — Use this switch for applications that require the DDC to be buffered.

- **ACTIVE** — Set to Active for applications in which a source has a weak or no pull up resistor.
- **OFF** — Pass-through
- **ON** — Active, no pull up



4 EQ switch — Adjust this switch to improve the image for applications with longer cable runs, image artifacts, or both.

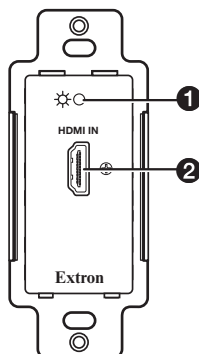
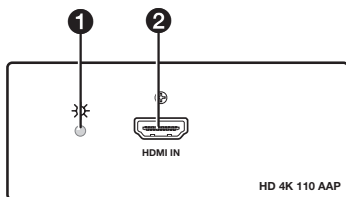
- **MID** — 8.6 dB
- **HI** — 12.4 dB
- **LOW** — 4.3 dB



5 Ground (decorator-style model only) — Helps to prevent ground loops, which cause noise, hum, and interference in audio and video systems.

6 HDMI output connector — Plug the cable from this HDMI connector into an HDMI output device.

Front Panel Features and Connections



1 Power and signal status LED — This dual-color LED lights amber when the HD 4K 110 is receiving power. When an HDMI input signal is present, the LED lights green.

2 HDMI input connector — Connect a digital video source to this female HDMI connector.

Step 3 - Test the HD 4K 110.

Test the HD 4K 110 before mounting as the cables and switches are not accessible after installation.

Step 4 - Mount the HD 4K 110.

Remove power from the HD 4K 110 and mount it as planned in step 1 (see the *HD 4K 110 User Guide* for details on mounting).

Step 5 - Restore power to the device.

68-2857-50
Rev. B
04 17

Extron Headquarters +1.800.633.9876 (Inside USA/Canada Only)	Extron Asia +65.6383.4400	Extron China +86.21.3760.1568	Extron Australia +61.8.8113.6800
Extron Europe +31.33.453.4040	Extron Japan +81.3.3511.7655	Extron Middle East +971.4.299.1800	Extron India +91.80.3055.3777