

IMPORTANT:
Go to www.extron.com for the complete user guide, installation instructions, and specifications before connecting the product to the power source.

EDID 101H 4K • Setup Guide

This guide provides basic instructions for an experienced installer to install and operate the EDID 101H 4K.

The Extron EDID 101H 4K is an EDID Emulator for HDMI signal sources. It features EDID Minder®, an Extron-exclusive technology that provides automatic and continuous EDID - Extended Display Identification Data - management. EDID Minder ensures that the source powers up properly and reliably outputs content. Pre-stored EDID information is communicated to the source based on a user-selected resolution and refresh rate. Alternatively, the EDID 101H 4K can be configured to capture and store EDID information from a connected display. The EDID 101H 4K is housed in a compact 1 inch high, quarter-rack width, 6-inch deep enclosure for convenient, discreet installation. An energy-efficient external universal power supply is included.

Rear Panel Cabling

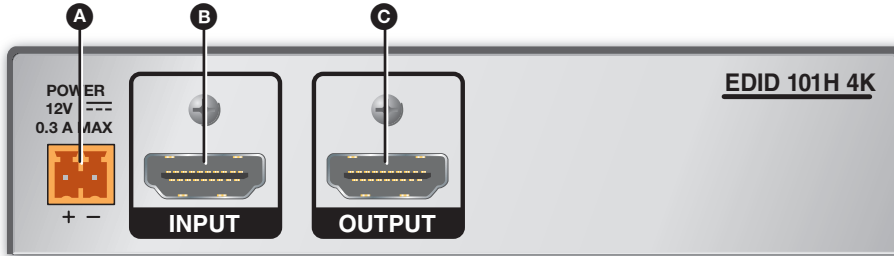
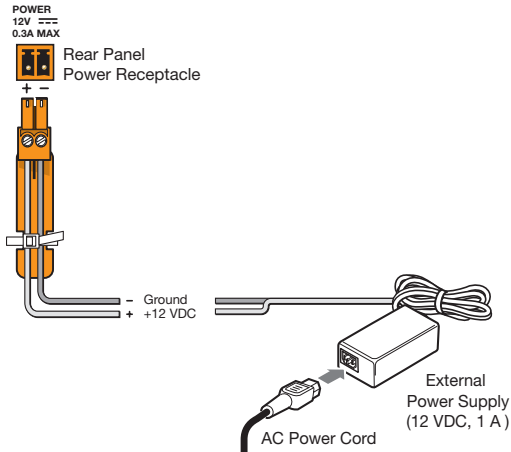


Figure 1. EDID 101H 4K Rear Panel

A Power Connector – Connect the included 12 VDC power supply to this orange, two-pole, 3.5 mm captive screw connector.



ATTENTION: Risk of property damage:

ATTENTION : Risque de dommages matériels :

- Do not connect any external power supplies until you have read the Attention notifications in the Power Supply section of the user guide for that device.
- Ne branchez pas de sources d'alimentation externes avant d'avoir lu les mises en garde dans la section « Power Supply » du guide utilisateur pour cet appareil.

Figure 2. External Power Supply Connection

B HDMI Input – Connect an HDMI source to this female HDMI Type A connector.

C HDMI Output – Connect a display or other output device to this female HDMI Type A connector.

Front Panel

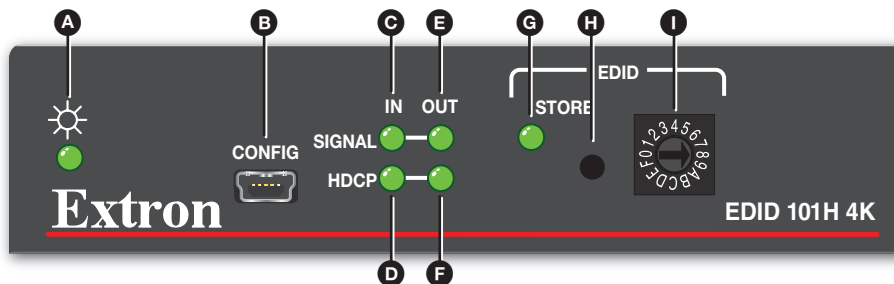


Figure 3. EDID 101H 4K Front Panel

A Power LED – Illuminates when power is supplied.

B Config port – Mini USB connector for SIS configuration, monitoring, and firmware updates.

- C HDMI Input Signal LED** (see figure 3) – This LED illuminates green when a signal is detected at the HDMI input.
- D Input HDCP LED** – This LED illuminates green if the source requires HDCP and has been authenticated with the HDMI input.
- E HDMI Output LED** – This LED illuminates green when a display or other output device is connected to the HDMI output.
- F Output HDCP LED** – This LED illuminates green if the signal is encrypted and the HDMI output is authenticated with the connected display.
- G EDID Store Status LED** – One green LED illuminates when power is available and the rotary switch is in positions D, E, or F. It blinks when reading and storing an EDID setting from a connected output device, returning to solid green when EDID storing is complete.

LED (G)	Rotary Switch (I)	Store Button (H)	Description
Off	0-C	Non-functional	EDID storing is not possible on the selected rotary switch position.
Solid	D-F	N/A	EDID storing is possible on the selected rotary switch position.
Blinking	D-F	Button pressed and released	After the Store button is pressed, the EDID is written to the user slot selected by the rotary switch. When the EDID is stored, the LED turns solid green.

- H EDID Store Button** – One recessed push-button initiates both reading and storing an EDID from the connected display. Press the **Store** button to read the EDID of the connected device and store it to a user slot selected by the rotary switch. Up to three EDID files (switch positions D through F) can be stored.
- I EDID Selection Rotary Switch** – One 16-position rotary switch allows the selection of a user stored or Extron factory EDID. See the table below to determine the rotary switch position for the desired EDID. Position 8 is the default. Position C reads the EDID of a connected display.

Switch Position	Resolution	Refresh (Hz)	Audio
0	1280x800	60	2-Ch
1	1440x900	60	2-Ch
2	1600x900	60	2-Ch
3	1680x1050	60	2-Ch
4	1920x1200	60	2-Ch
5	2560x1440	60	2-Ch
6	2560x1600	60	2-Ch
7	720p	50	2-Ch

Switch Position	Resolution	Refresh (Hz)	Audio
8	720p	60	2-Ch
9	1080p	50	2-Ch
A	1080p	60	2-Ch
B	4K/UHD	30	2-Ch
C	Output	Automatically populated with the connected display EDID	
D	User Slot 1		
E	User Slot 2		
F	User Slot 3		

Connect and Power the EDID 101H 4K

- Set the rotary switch (see figure 3, **I** on page 1) for the desired resolution.
- Connect an HDMI cable from the source to the EDID 101H 4K Input (see figure 1, **B** on page 1).
- Connect an HDMI cable from the EDID 101H 4K Output (**C**) to the display or distribution system.
- Turn on the video display.
- Connect the power supply to the EDID 101H 4K (**A**).
- Connect AC power to the power supply. The EDID 101H 4K power LED lights green.
- Turn on the video source. The video source reads the EDID from the EDID 101H 4K.

Extron Headquarters +800.633.9876 Inside USA/Canada Only		Extron Europe +800.3987.6673 Inside Europe Only	Extron Asia +65.6383.4400 +65.6383.4664 FAX	Extron Japan +81.3.3511.7655 +81.3.3511.7656 FAX	Extron China +86.21.3760.1568 +86.21.3760.1566 FAX	Extron Middle East +971.4.299.1800 +971.4.299.1880 FAX	Extron Australia +61.8.8351.2188 +61.8.8351.2511 FAX	Extron India 1800.3070.3777 (Inside India Only)
Extron USA - West East +1.714.491.1500 +1.714.491.1517 FAX	Extron USA - East +1.919.850.1000 +1.919.850.1001 FAX	+31.33.453.4040 +31.33.453.4050 FAX						+91.80.3055.3777 +91.80.3055.3737 FAX