

TLP Pro 520M and TLC Pro 521M • Setup Guide

IMPORTANT:
Go to www.extron.com for the complete user guide and installation instructions before connecting the product to the power source.

Overview

The Extron TLP Pro 520M and TLC Pro 521M are 5 inch wall mounted touchpanels with 800x480 capacitive glass touchscreen. The Extron TLC Pro 521M also features a built-in controller in a compact form factor. They are ideal for any AV application requiring compact touchpanels with flexible mounting options and a fully customizable interface. This guide provides instructions for experienced installers to mount and install these touchpanels. For complete instructions, see the *TLP Pro 520M and TLC Pro 521M User Guide*, at www.extron.com.

Setup Checklist

Get Ready

- Download and install the latest version of the following software:
 - GUI Designer** — for designing layouts for Extron TouchLink® Pro touchpanels and third party touch interfaces.
 - Global Configurator® Plus and Professional** — for setting up and configuring the control processor and touchpanel.
 - Toolbelt** — provides device discovery, device information, firmware updates, and configuration of network settings, system utilities, and user management for TouchLink Pro devices.All three software programs are available from www.extron.com.
- Obtain the following network information from your network administrator:
 - DHCP status (on or off). If DHCP is off, you will also require
 - IP address
 - Subnet mask
 - Gateway
 - User name — this can be either admin or user.
 - Password — by default this is ext ron (for either admin or user).
- Make a note of the touchpanel MAC address (see the rear panel label).

Mount and Cable All Devices

ATTENTION:

- Do not power on the touchpanels or control processors until you have read the Attention in the Power Supply section of the *TLP Pro 520M and TLC Pro 521M User Guide* or the *IPL Pro User Guide*.
- Ne branchez pas les écrans tactiles ou les contrôleurs avant d'avoir lu la mise en garde dans la section « sources d'alimentation » du *TLP Pro 520M and TLC Pro 521M User Guide* ou du *IPL Pro User Guide*.

- Mount the units. There are several mounting options for TouchLink Pro touchpanels (see [Mounting](#) on the following page).
- Connect cables to the touchpanel.
- Connect the power cords and power on all devices.

Set Up the Touchpanels for Network Communication

- Connect the PC that you will use for setup, the control processor (for the TLP Pro 520M), and the touchpanel **to the same Ethernet subnetwork**.
- Use the [Setup Menu](#) (see page 6) or Toolbelt to set the DHCP status and, if necessary, the IP address, subnet mask, gateway, and related settings for the touchpanel.

Configure the Touchpanels

The *GUI Designer Help File*, *Global Configurator Help File*, and the *Toolbelt Help File* provide step-by-step instructions and more detailed information. The *Global Configurator Help File* includes an introduction to the software and sections on how to start a project and configuration.

TLP Pro 520M and TLC Pro 521M • Setup Guide (Continued)

Mounting

These touchpanels can be mounted in walls or furniture (see [Wall-mounting or Furniture-mounting](#), below) or with a range of kits (see [Mounting Kits](#), below).

Wall-mounting or Furniture-mounting

Figure 1 shows the TLP Pro 520M. Mount the TLC Pro 521M in the same way.

Either touchpanel can be mounted directly to the wall or directly into furniture, such as a podium or table, without a kit.

ATTENTION:

- Do not install the TLP Pro 520M or TLC Pro 521M in a fire resistant rated wall or partition assembly.
- Ne pas installer le TLP Pro 520M ou le TLC Pro 521M dans un mur résistant au feu ou une cloison.

To mount the touchpanel directly into drywall, follow these steps. The steps are similar if the unit is mounted in furniture. You will need a marking pen, a wallboard saw or jigsaw, a file or sandpaper, and a Phillips head screwdriver.

1. Use the cut-out template (available from www.extron.com) to mark the wall at a suitable location.
2. Use a wallboard saw or jigsaw to cut away the material within the guidelines drawn in step 1.
3. If there is insulation inside the drywall, remove at least 6 inches of the insulation in all directions around the opening.
4. Check the size of the opening by inserting the included wallplate adapter into it.
5. Use a Phillips head screwdriver to tighten the locking arm screws of the wallplate adapter (see figure 1, **5**). As the screws tighten, the locking arms rotate behind the wall and hold the adapter in place.

ATTENTION:

- Do not overtighten the screws as this can damage the catches or the wall.
- Ne serrez pas trop les vis au risque d'endommager les attaches ou le mur.

6. Route cables, leaving enough slack to connect them to the back of the touchpanel.
7. Plug the cables into the rear panel connectors (see [Rear Panel Features](#) and [figure 4](#) on page 4).
 - If required, insert captive screw connectors into the control ports.
 - Connect the LAN port to the PoE power injector or a PoE enabled switch.
 - If you use the LAN port only as a network connection, connect a 12 VDC, 1.0 A power supply to the 2-pole captive screw power input connector.

NOTE: Either the power injector or the 12 VDC power supply must be purchased separately.

Push excess cables into the wall cavity.

8. Press the touchpanel onto the wallplate adapter (**8**) until it snaps into place. Four catches, two on each side, hold the touchpanel in place.
9. Remove the bezel by inserting the provided Extron pry tool into the notches on the bottom surface of the bezel (**9**).
10. Fasten the touchpanel to the wallplate adapter with the two provided #4-40 x 1/4" Phillips head screws (**10**). For extra security, use two security screws (not provided).
11. Reattach the bezel.
12. If required, perform the initial configuration, using the [Setup Menu](#) (see page 6).

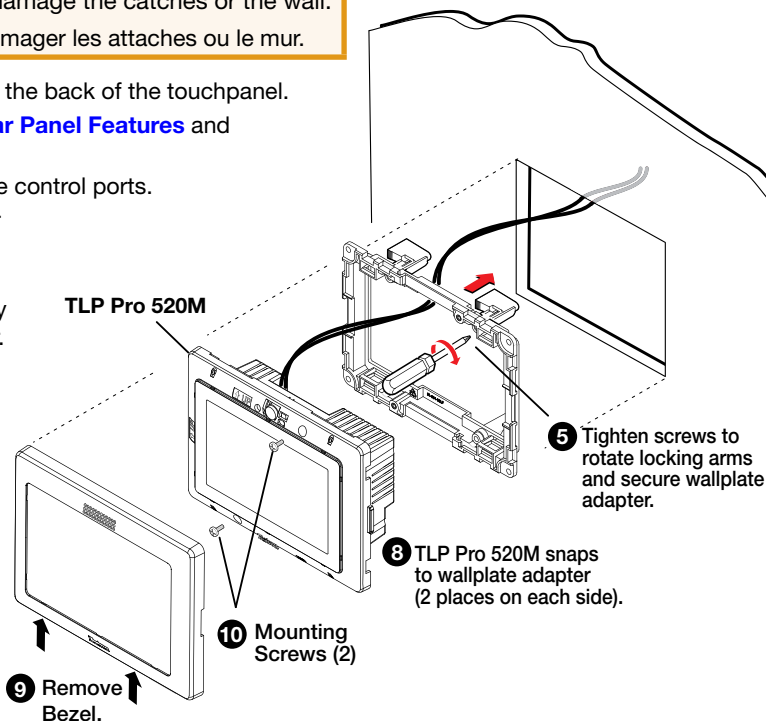


Figure 1. Mounting the TLP Pro 520M

Mounting Kits

The touchpanels can be mounted in both landscape and portrait orientations. Bezels for mounting in the portrait orientation must be purchased separately.

Optional mounting kits, which must be purchased separately, are available. Follow the instructions provided with the kit.

- Desktop mounting — **SMB 1** (with the optional **SMA-1**, which must be purchased separately)
- Glass mounting — **GMK 1** (requires the **SMB 1**, which must be purchased separately)
- Rack mounting — **RM 1**
- Back Box wall mounting — **BB 1**

Front Panel Features

The front panel features for both the TLP Pro 520M and TLP Pro 521M are very similar.

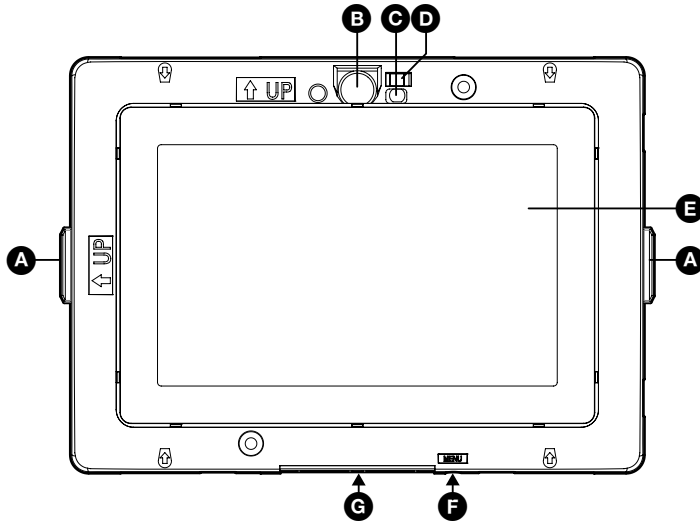


Figure 2. TLP Pro 520M Front Panel without bezel

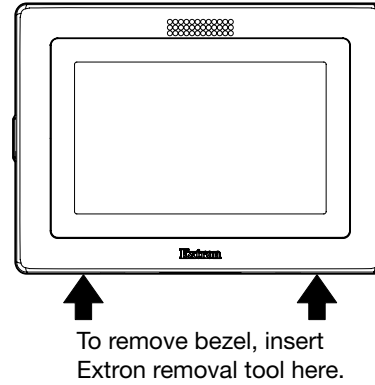


Figure 3. TLP Pro 520M Bezel

- A Status lights** — one on each side can be configured to provide system feedback.
- B Motion sensor** — detects motion in front of the touchpanel.
- C Ambient light sensor** — monitors ambient light level and adjusts screen brightness.
- D Communication LED** (TLP Pro 520M only) — shows the configuration and connection status of the touchpanel:
 - Unlit during normal operation (the touchpanel is configured and connected to an IP Link Pro control processor).
 - Blinks red if the touchpanel has been configured but is not connected to an IP Link Pro control processor.
 - Permanently lit red if the touchpanel has not been configured.
- E LCD screen** — the 5 inch LCD capacitive glass touchscreen has a 800x480 resolution.
- F Menu button** — activates the [setup menu](#) (see page 6). There is a slot in the bottom surface of the touchpanel, directly under the Menu text (see the arrow in figure 2, **G**).
- G Speaker** — one, placed under the screen, provides audible feedback for the user.

TLP Pro 520M and TLC Pro 521M • Setup Guide (Continued)

Rear Panel Features

The TLP Pro 520M and TLC Pro 521M rear panels are identical except for the 3 sets of additional control ports on the TLC Pro 521M.

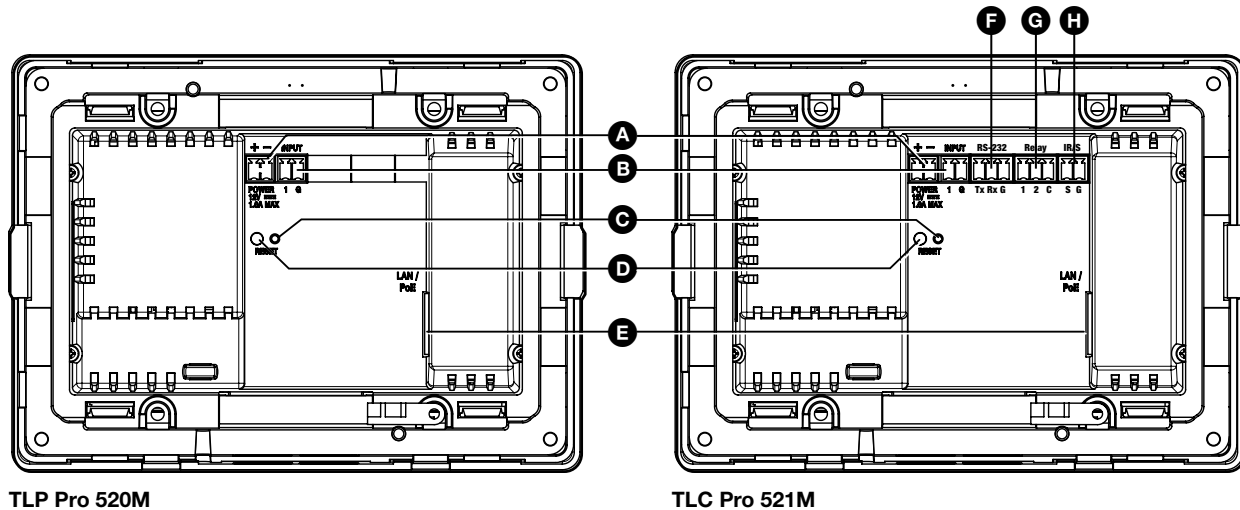


Figure 4. TLP Pro 520M and TLC Pro 521M rear panels

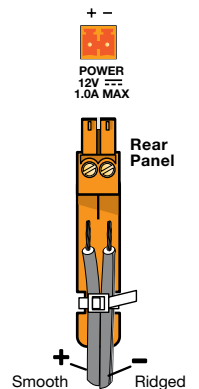
| | |
|--|--|
| A Power connector | E Network and Power over Ethernet (PoE) connector |
| B Digital input monitoring port | F RS-232 connector (TLC Pro 521M only) |
| C Reset LED | G Relay connector (TLC Pro 521M only) |
| D Reset button | H IR/S connector (TLC Pro 521M only) |

- A Power connector** — Connect a 12 VDC, 1.0 A power supply (not included) to this 2-pole, 3.5 mm captive screw connector.

ATTENTION:

- The TLP Pro 520M and TLC Pro 521M can use a 12 VDC desktop power supply and is also Power over Ethernet (PoE 802.3af, class 3) compliant. Do not connect either power supply before reading the Attention in the Power Supply section of the *TLP Pro 520M and TLC Pro 521M User Guide*.
- Le TLP Pro 520M et le TLC Pro 521M peuvent utiliser une source d'alimentation externe 12 Vcc, et sont également compatible avec l'alimentation POE via Ethernet (PoE 802.3af, classe 3). Ne branchez pas de sources d'alimentation externes avant d'avoir lu les mises en garde dans la section « Power Supply » du *TLP Pro 520 and TLC Pro 521M User Guide*.

NOTE: The touchpanels ship without a power supply. Either the power injector or the 12 VDC power supply must be purchased separately.



- B Digital input monitoring port** — this two-pole captive screw port (1 = signal and 2 = ground) monitors digital input with or without a +5 VDC pull-up.
- C Reset LED** — indicates power status and reset status of the device.
- D Reset button** — reset modes are initiated by pressing this recessed button. There are three reset modes for the TLP Pro 520M and four reset modes for the TLC Pro 521M. For full information about these different modes, see the *TLP Pro 520M and TLC Pro 521M Series User Guide*.



- E Network and Power over Ethernet (PoE) connector** (see **figure 4**) — is on the right side of the recessed area. Connect the touchpanel to the LAN using a twisted pair cable, terminated with an RJ-45 connector. The connector can also be used with a PoE power injector (not provided).

An Extron IP Link Pro control processor must also be connected to the same network as the TLP Pro 520M.

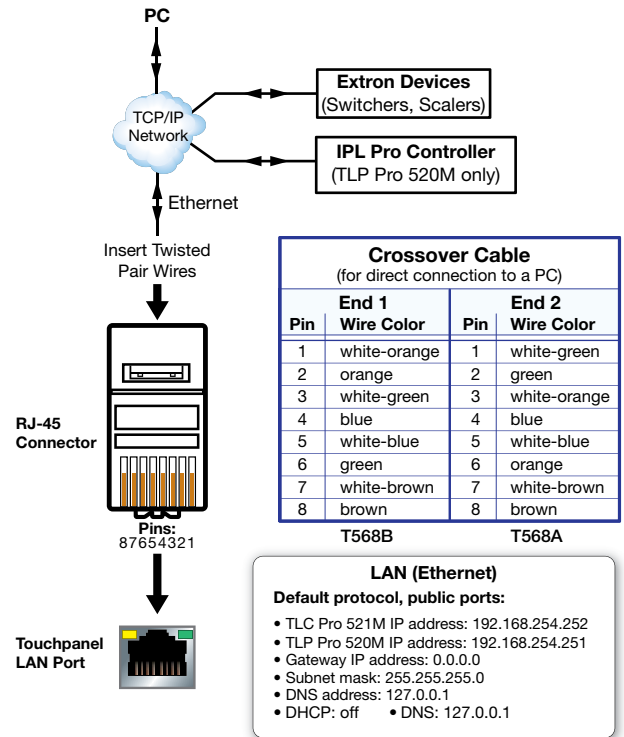


Figure 5. Connection to the LAN/PoE Port

- F RS-232 connector** (TLC Pro 521M only, see **figure 4**) — three-pole 3.5 mm captive screw connector supports software flow control (Pin 1 = Tx, Pin 2 = Rx, Pin 3 = G).
- G Relay connector** (TLC Pro 521M only, see **figure 4**) — three-pole 3.5 mm captive screw connector for normally open (NO) contact closure (Pin 1 = 1, Pin 2 = 2, Pin 3 = C).

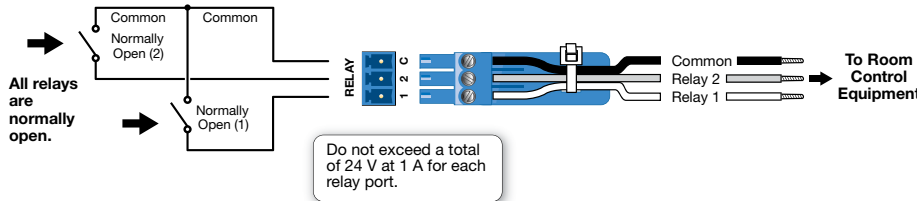


Figure 6. TLC Pro 521M Relay Connector

- H IR/S connector** (TLC Pro 521M only, see **figure 4**) — two-pole 3.5 mm captive screw connector can be configured to operate as an IR or unidirectional serial port (Pin 1 = S, Pin 2 = G).

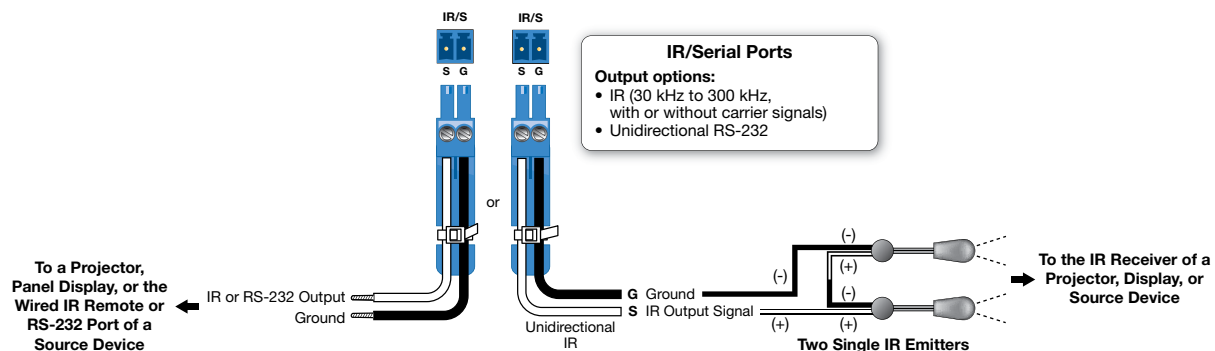


Figure 7. TLC Pro 521M IR or Unidirectional Serial Port

TLP Pro 520M and TLC Pro 521M • Setup Guide (Continued)

Reset Modes: a Brief Summary

The TLP Pro 520M and TLC Pro 521M offer the following reset modes:

- Use factory firmware:** Press and hold the **Reset** button (figure 4, **D**) while applying power to the unit. Use this mode to replace firmware in the event of firmware failure.
- Project Recovery:** (TLC Pro 521M only) This mode is activated using Global Configurator Plus and Professional. See the *Global Configurator Help File* for more information.
- Reset All IP Settings:** Press and hold the **Reset** button for 6 seconds. After the Reset LED (figure 4, **C**) flashes twice, release and momentarily press the **Reset** button. Use this mode to reset all network settings without affecting user-loaded files.
- Reset to Factory Defaults:** Press and hold the **Reset** button for 9 seconds. After the Reset LED flashes three times, release and momentarily press the **Reset** button. Use this mode to return the interface to factory default settings.

Setup Menu

The setup menu opens when the **menu** button is pressed (see **Front Panel Features**, **G** on page 3). Figure 8 shows the TLP Pro 520M menu. The setup menu for the TLC Pro 521M is very similar.

There are five different screens: **Status**, (shown in figure 8) **Network**, **Display**, **Audio**, and **Advanced**. The screens can be selected by pressing the appropriate button in the navigation bar at the top of the screen (for more information, see the *TLP Pro 520M and TLC Pro 521M User Guide*).

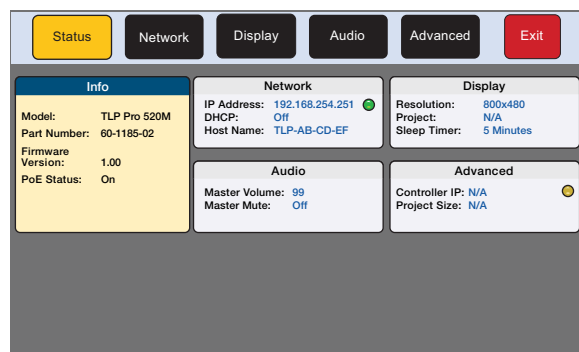


Figure 8. TLP Pro 520M Setup Menu

| | | | | | | | |
|---|--|--|---|---|---|---|--|
| Extron Headquarters +1.800.633.9876 (Inside USA/Canada Only) Extron USA - West Extron USA - East +1.714.491.1500 +1.919.850.1000 +1.714.491.1517 FAX +1.919.850.1001 FAX | Extron Europe +800.3987.6673 (Inside Europe Only) +31.33.453.4040 +31.33.453.4050 FAX | Extron Asia +65.6383.4400 +65.6383.4664 FAX | Extron Japan +81.3.3511.7655 +81.3.3511.7656 FAX | Extron China +86.21.3760.1568 +86.21.3760.1566 FAX | Extron Middle East +971.4.299.1800 +971.4.299.1880 FAX | Extron Korea +82.2.3444.1571 +82.2.3444.1575 FAX | Extron India 1800.3070.3777 (Inside India Only) +91.80.3055.3777 +91.80.3055.3737 FAX |
|---|--|--|---|---|---|---|--|