

VCM 200 EU • Installation Guide

This guide provides instructions for an experienced installer to install an Extron VCM 200 EU device.

The VCM 200 EU is a remote volume/mute controller with a 10k ohm potentiometer and **Mute** button. It is designed to work solely with any Extron amplifier product with a remote volume control port, such as the MPA 152 Plus or MPA 401 Mini Power Amplifiers. The VCM 200 EU is backwards compatible, able to control existing amplifiers and preamplifiers as well as new amplifiers and preamplifiers.



NOTE: Models of the VCM 200 EU with an E number before E30472 are not compatible with newer amplifier models. The E number is located next to the device serial number.

The VCM 200 EU device mounts into a single sized European junction box with 60 mm centers (not supplied). It has a matching trim plate for the finished installation.

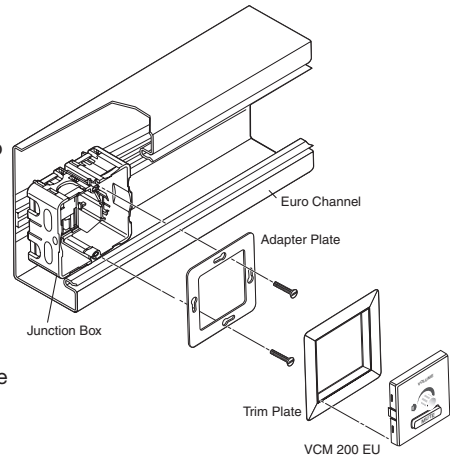
For product specifications visit www.extron.com.

NOTE: Check that the installation meets the local and national regulatory requirements, including building, electrical, and safety codes, and UL and accessibility requirements.

Installation

VCM 200 EU Model —

1. Install a junction box into a Euro channel or into a wall.
2. Run the cables from the location of the audio source, such as an MPA.
3. Where needed, in order to make the device flush with the channel or wall, place the supplied metal spacer plate between the adapter plate and the junction box.
4. Using the supplied screws, fasten the metal adapter plate (and spacer plate if used) to the junction box (see the image at right).



The VCM 200 EU is now ready for cabling.

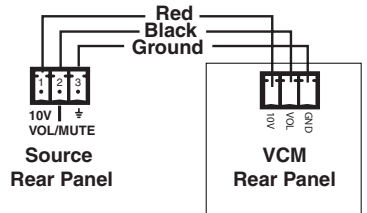
Cabling

Press the VCM 200 into the trim plate and connect the cables to the rear of the device. Wire as shown.

10V = Pin 1 is 10 VDC reference voltage.

VOL/MUTE = Pin 2 is volume and mute control with DC voltage. The range is 0 to 10 V, where 0 V is mute and 10 V is maximum volume.

GND = Pin 3 is ground.



To complete installation, snap the device and trim plate combination into the secured adapter plate, taking care not to trap any cables.

VCM 200 EU • Setup Guide (Continued)

NOTE: Control signal ground pins may be labels as $\frac{\ominus}{\ominus}$, GND, or G. The wiring and function are the same, whichever way your product is labeled.

Operation

The **Mute** button toggles between mute and unmute. It lights bright red to indicate mute, and dim white to indicate unmute.

Turn the knob clockwise to increase the volume, and counterclockwise to decrease the volume.

Audio Level Setting Procedure

To set the system level to not exceed the maximum volume:

1. Reduce the power amplifier volume to minimum.
2. Turn the **Volume** knob clockwise on the VCM 200 to the maximum position.
3. Slowly turn up the power amplifier to the system volume desired.

Application

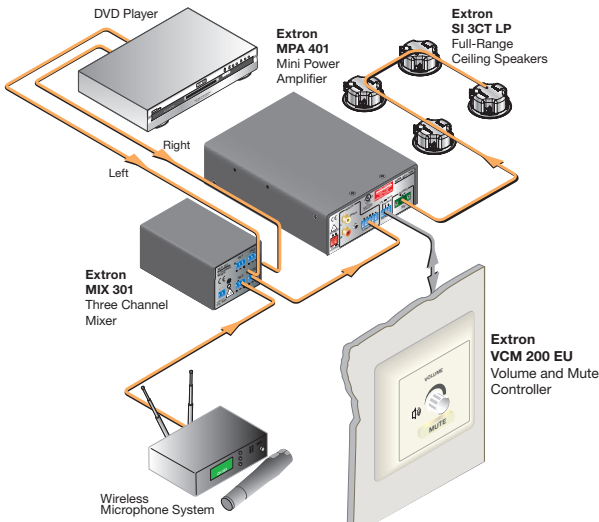


Figure 1. Example of a Typical VCM 200 EU Application

Extron USA Headquarters +1.800.633.9876 (Inside USA/Canada Only)		Extron Europe +800.3987.6673 (Inside Europe Only) +31.33.453.4040 +31.33.453.4050 FAX	Extron India 1800.3070.3777 (Inside India Only) +91.80.3055.3777 +91.80.3055.3737 FAX
Extron USA - West +1.714.491.1500 +1.714.491.1517 FAX	Extron USA - East +1.919.850.1000 +1.919.850.1001 FAX	Extron Japan +81.3.3511.7655 +81.3.3511.7656 FAX	Extron China +86.21.3760.1568 +86.21.3760.1566 FAX
Extron Asia +65.6383.4400 +65.6383.4664 FAX	Extron Middle East +971.4.299.1800 +971.4.299.1880 FAX	Extron Australia +61.8.8113.6800 +61.8.8351.2511 FAX	68-2089-02 Rev. B 04 17