

## Extron Rack Shelf Installation Guide

This guide details the installation of Extron products of various sizes onto Extron 9-inch, 6-inch, and 3-inch deep, 1U rack shelves and the installation of the shelves into a standard rack. Each rack shelf can accommodate a mix of devices in varying widths and depths, depending on the depths of the shelf (see the figures at right).

### Installation

Mount the product on the shelf and mount the shelf in a rack, as follows:

1. Mount one or more Extron products on the rack shelf, using two supplied #4-40 x 3/16 inch screws in opposite corners (see figure 1).

**NOTE:** When mounting products one behind the other, as shown in the top drawing at right, leave at least one rear mounting location empty for cable routing.

2. Fill any unused spaces with a combination of Extron Rack False Front Faceplate Kits (eighth rack, quarter rack, and half rack; supplied with universal shelf kits and optional for basic shelves), fastened with two #4-40 x 3/16 inch screws (see figure 1).
3. Secure the shelf to the rack using the supplied #10-32 machine screws (see figure 2).

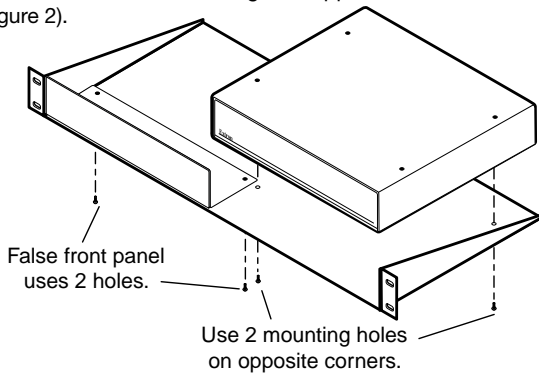


Figure 1. Secure Product to Shelf

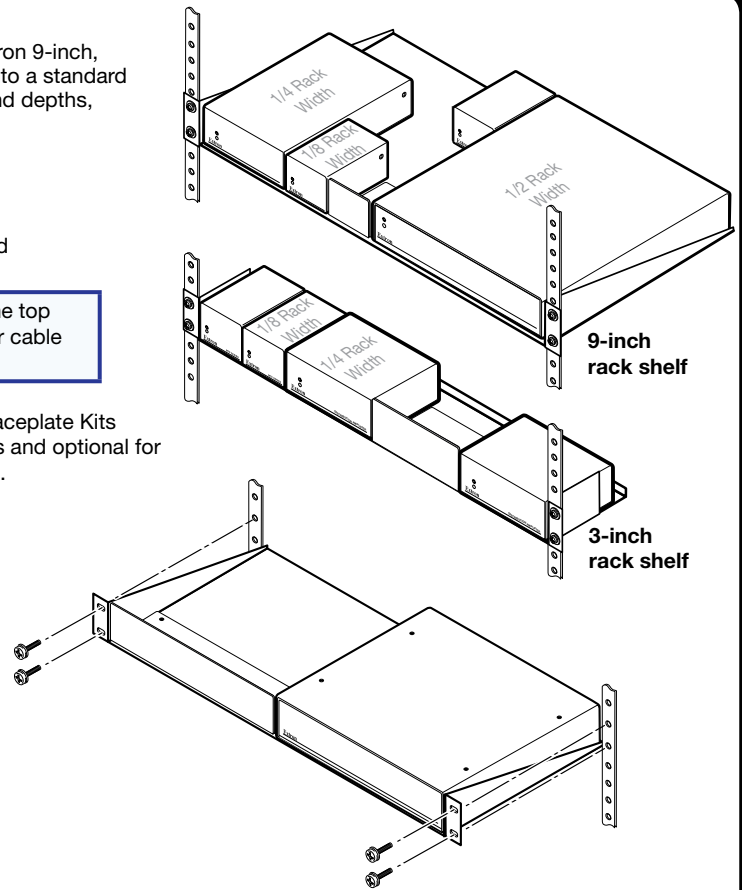


Figure 2. Secure Shelf to Rack

## Extron Rack Shelf Installation Guide (continued)

### Dimensions

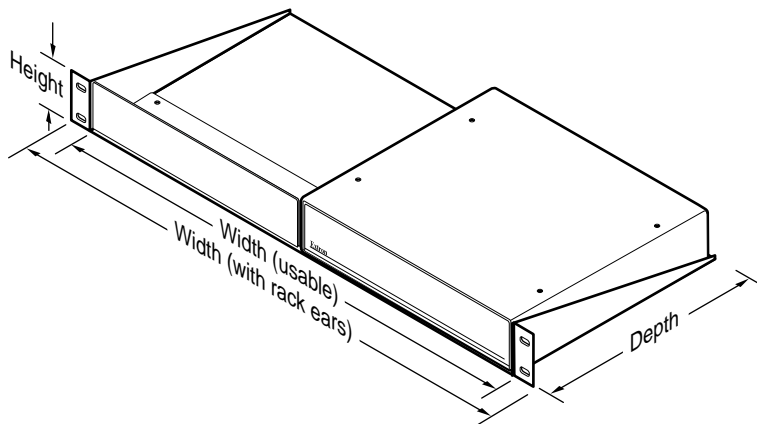


Figure 3. Rack Shelf Dimensions

	Height (1U)	Width (usable)	Width (with rack ears)	Depth
9-inch rack shelf				9.5" (24.1 cm)
6-inch rack shelf	1.73" (4.4 cm)	17.5" (44.5 cm)	19" (48.25 cm)	6.5" (16.5 cm)
3-inch rack shelf				3.5" (8.9 cm)

Extron Headquarters +1.800.633.9876 (USA/Canada)	Extron Europe +31.33.453.4040	Extron Asia +65.6383.4400	Extron Japan +81.3.3511.7655	Extron China +86.21.3760.1568	Extron Middle East +971.4.2991800	Extron Australia +61.8.8351.2188	Extron India +91-80-3055.3777
---	----------------------------------	------------------------------	---------------------------------	----------------------------------	--------------------------------------	-------------------------------------	----------------------------------