

PCM AM Installation Notes

The Extron PCM AM Angled Drop Ceiling Projector Mount is a ceiling mount adapter kit for use on suspended ceilings having an angle of up to 45 degrees.

The PCM AM is fitted onto an Extron PCM 340 (not included) or a PCM 240 (not included) that is installed above the angled drop ceiling. The adjustable pipe is secured in an angle-adjustable adapter plate, allowing the pipe to remain vertical. The pipe then supports the mounting of the Extron PMK 550 and UPB 25 projector bracket.

For the method of installing the PCM 340 or PCM 240, refer to the installation notes supplied with those products.

CAUTION Maximum load for the PCM is 50 lbs (22.7 kg).

The key parts of the PCM AM are a pivot plate and an angle base plate as shown in figure 1. Also included are four locking nuts.

NOTE In the installation method given below, reference is made only to the PCM 340. Use exactly the same method for installation onto a PCM 240.

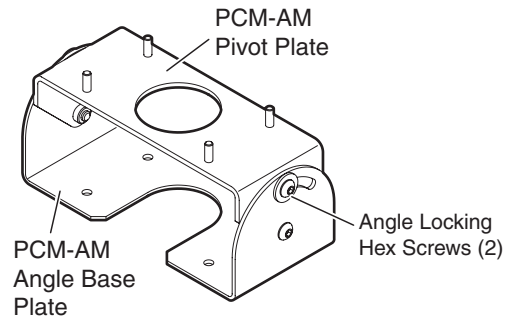


Figure 1 — PCM AM adapter

Installation

NOTE Refer to local building standards and codes to verify that the installation will meet the regulatory requirements. Observe all local and national building and safety codes, UL requirements, and ADA Accessibility Guidelines.

1. Remove the pipe adapter on the PCM 340.

- Loosen and remove the four wing nuts on the existing pipe adapter. Retain the wing nuts.
- Lift the pipe adapter away from the capture plate on the PCM 340 (see figure 2).

2. Install the PCM AM on the PCM 340.

- Place the PCM AM adapter over the capture plate studs and secure the with the locking nuts. Ensure the PCM AM angle base plate slot aligns with the slot on the PCM 340 capture plate.
- Place the pipe adapter over the four studs on the top of the PCM AM and tighten down with the wing nuts.
- Slide the slotted pipe into the adapter, aligning the holes in the pipe with those in the adapter (see figure 3). Tighten the pipe location screw and the set screws to secure the pipe.
- Loosen the two PCM AM angle locking hex screws, and adjust the pivot plate (up to 45 degrees) to compensate for the ceiling angle. When the pipe is vertical, tighten down the angle hex screws. The pipe should be 90 degrees to the floor (see figure 3).

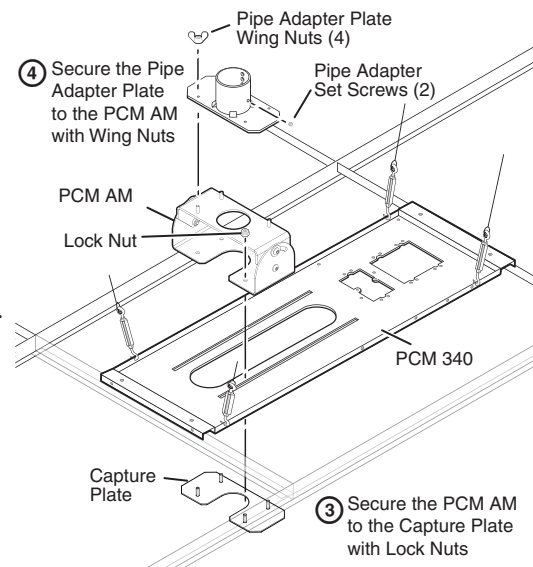


Figure 2 — Secure the PCM AM to the PCM 340

3. Install and align the projector.

- Install the UPB 25 projector bracket and the projector onto the end of the pipe. Refer to the *UPB 25 User Manual* for details.
- Turn on the projector, loosen the locking nuts if needed, and slide the PCM AM and projector along the PCM 340, viewing the image to verify the proper location for a centered image.

TIP Remember to use the vertical and horizontal offsets when aligning the projector. Adjust pipe height if needed. Refer to the projector manual for details

- When image location is verified, lock down the nuts

To complete the installation and secure the PCM 340 or PCM 240, refer to the installation notes supplied with those products.

Complete any further device installation according to the manufacturer's manuals.

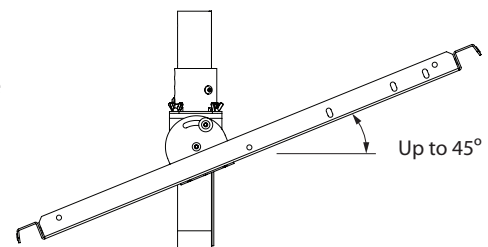
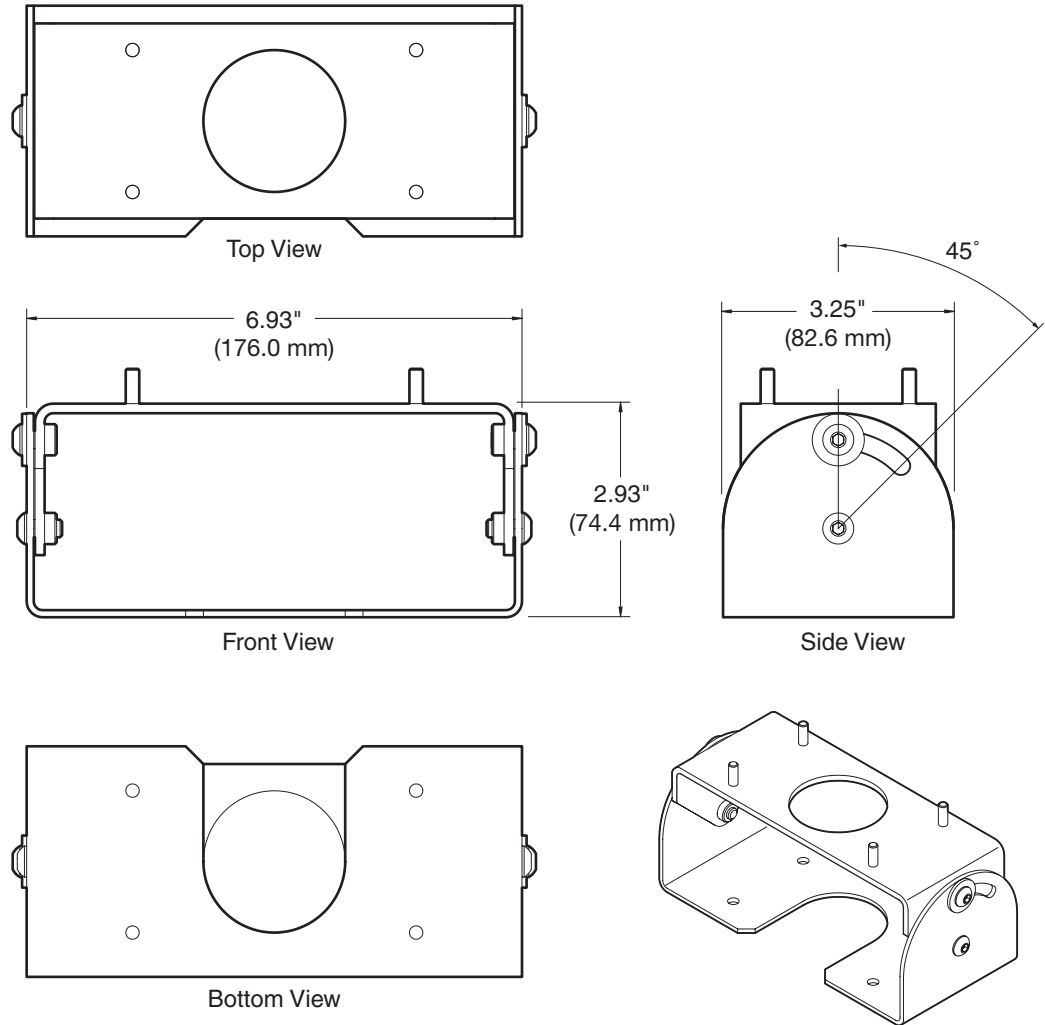


Figure 3 — Angled ceiling with the pipe vertical

PCM AM Specifications

General

Maximum load capacity..... 50 lbs (22.7 kg)
 Material..... Steel
 Dimensions 3.25" W x 2.9" H x 6.9" D (8.3 cm W x 7.4 cm H x 17.6 cm D)



Adjustment ranges..... 45° angle
 Product weight 1.5 lbs (0.7 kg)
 Shipping weight 3 lbs (2 kg)
 Vibration..... ISTA 1A in carton (International Safe Transit Association)
 Regulatory compliance
 Safety..... c-UL, UL
 Warranty 3 years parts and labor

NOTE Specifications are subject to change without notice.

Extron USA - West Headquarters +800.633.9876 Inside USA / Canada Only +1.714.491.1500 +1.714.491.1517 FAX	Extron USA - East +800.633.9876 Inside USA / Canada Only +1.919.863.1794 +1.919.863.1797 FAX	Extron Europe +800.3987.6673 Inside Europe Only +31.33.453.4040 +31.33.453.4050 FAX	Extron Asia +800.7339.8766 Inside Asia Only +65.6383.4400 +65.6383.4664 FAX	Extron Japan +81.3.3511.7655 +81.3.3511.7656 FAX	Extron China +400.883.1568 Inside China Only +86.21.3760.1568 +86.21.3760.1566 FAX	Extron Middle East +971.4.2991800 +971.4.2991880 FAX
--	--	---	---	---	--	---

© 2009 Extron Electronics. All rights reserved.