

PCM 340 • Installation Guide (Continued)

Specifications

General

| | |
|----------------------------|---|
| Maximum load capacity..... | 50 lbs (22.7 kg) |
| Material | Baseplate and pipe: aluminum, Tie wire: steel, 14 AWG, 70,000 psi tensile strength |
| Dimensions | |
| Base plate..... | 1.2" H x 26.4" W x 8.0" D (2.9 cm H x 67.0 cm W x 20.3 cm D) |
| Pipe..... | 25" length, 1.5"-11.5 NPT |
| Adjustment ranges..... | 1.5" - 23.0" drop, 21.5", adjustable in 0.5" steps |

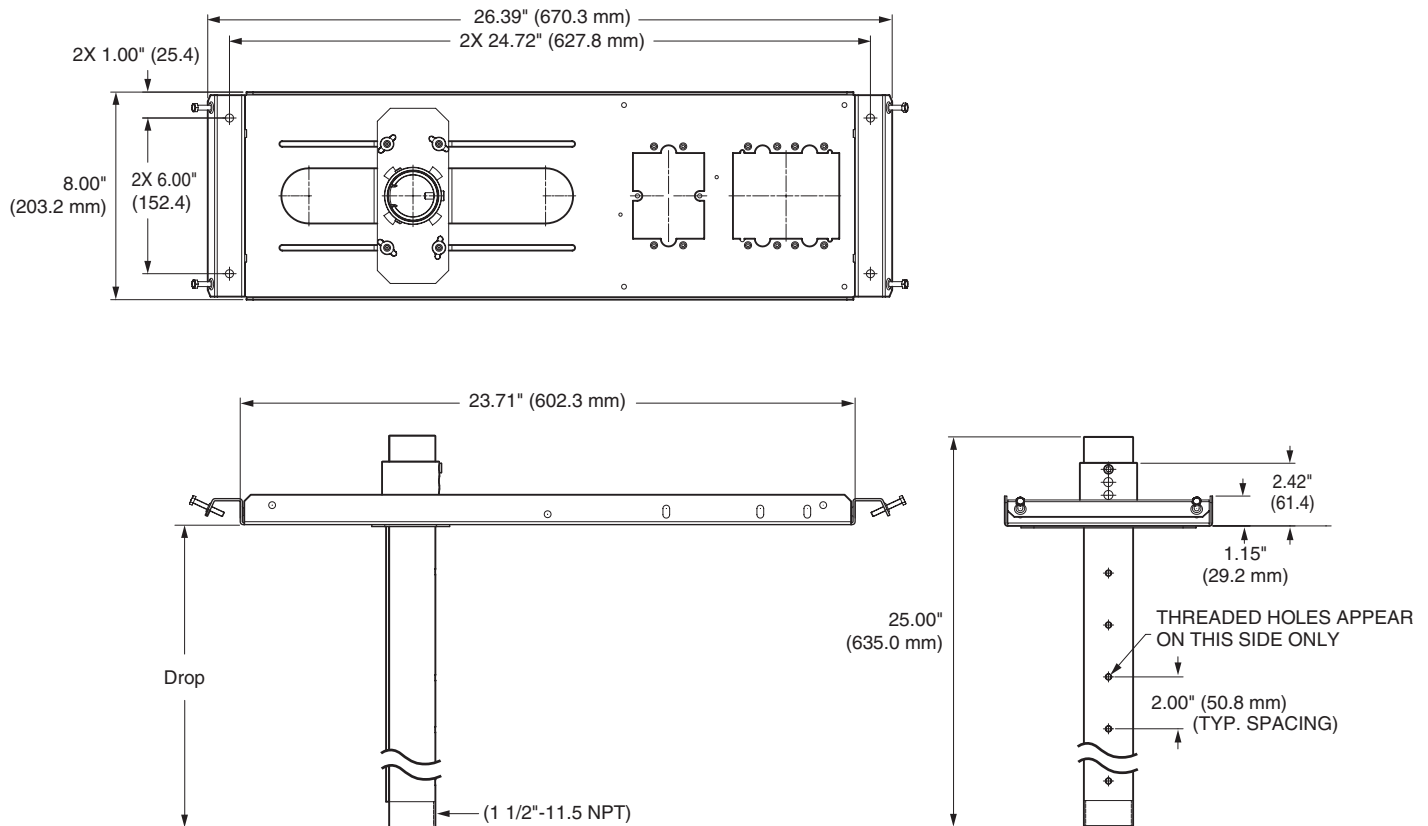
NOTE: Drop distances are measured from the bottom of the hanger plate.

| | |
|----------------------|----------------|
| Product weight..... | 4.5 lbs (2 kg) |
| Shipping weight..... | 9 lbs (5 kg) |

NOTE: Weights include the pipe.

| | |
|-----------------------|---|
| Vibration | ISTA 1A in carton (International Safe Transit Association) |
| Regulatory compliance | |
| Safety | CE; c-UL, UL for use with UL Listed mount and projector; OSHPD anchorage pre-approval |
| Warranty..... | 3 years parts and labor |

NOTE: Specifications are subject to change without notice.



| | | | |
|--|--|---|---|
| Extron Headquarters +1.800.633.9876 (Inside USA/Canada Only) | Extron Asia +65.6383.4400 | Extron China +86.21.3760.1568 | Extron Korea +82.2.3444.1571 |
| Extron Europe +31.33.453.4040 | Extron Japan +81.3.3511.7655 | Extron Middle East +971.4.2991800 | Extron India +91.80.3055.3777 |

© 2012 Extron Electronics — All rights reserved. All trademarks mentioned are the property of their respective owners. www.extron.com

68-1573-01
Rev E
08 12



PCM 340 • Installation Guide

IMPORTANT SAFETY INSTRUCTIONS

Read all instructions before starting installation.

When using this accessory, basic precautions should always be followed, including the following:

WARNING: Risk of Personal Injury. Maximum setup load for the PCM is 50 lbs (22.7 kg).

SAVE THESE INSTRUCTIONS

NOTE: Refer to local building standards and codes to verify that the installation will meet the regulatory requirements. Observe all local and national building and safety codes, UL requirements, and ADA accessibility guidelines.

WARNING: Risk of Personal Injury and property damage. Do not exceed specified weight limits of any component of the installation. Follow the manufacturer's specifications and installation instructions.

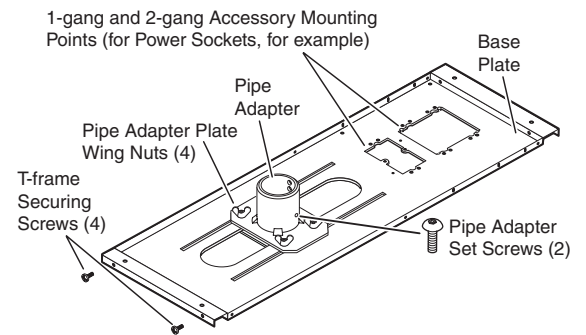
The Extron PCM 340 Drop Ceiling Projector Mount is used for hanging PoleVault® System AV products and various projectors.

The PCM is installed above the drop ceiling and secures the adjustable pipe in a pass-through pipe adapter plate. The pipe then supports the mounting of the Extron PMK 550 and UPB 25 projector bracket.

The key components of the PCM 340 are shown in figure 1.

Also included in the kit are:

4 turnbuckles, 5 lag eye bolts, 5 concrete anchors, 2 cable clamps, 1 safety wire – 15 feet, 2 tie wires – 30 feet, 4 T-frame screws, 2 set screws, 1 location screw, 4 adhesive pads, 11 hole plugs, 1 escutcheon ring, (1) 25 inch slotted projector pipe with 1 snap-in trim piece.



Pre-Installation

Determine the exact location of the installation on the drop ceiling. Consider the following:

- The vertical and horizontal offsets of the projector from the proposed location.
- The projector dimensions relative to the image target.

NOTE: See the projector manual for details.

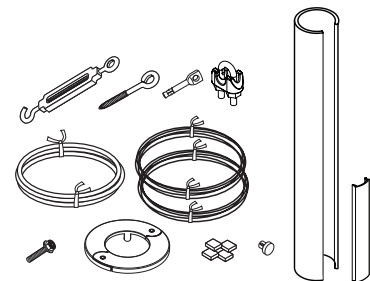


Figure 1. PCM 340 Parts

Installation

Step 1 — Mark the Frame and Cut the Ceiling Tile.

- At the location for the projector, identify the ceiling tile and T-frame where the PCM will be installed.
- Remove the predetermined ceiling tile and mark the maximum and minimum throw distances of the projector on the T-frame (see figure 2).

TIP: Mark the screen direction on the back of the tile to help with orientation of the tile when replacing it after cutting.

If it helps, create more working space by removing the adjacent tiles.

- Place the PCM base plate over the T-frame, between the two marks. Lightly tighten the T-frame securing screws (which can be inserted on the inside or outside of the PCM).
- Mark the location of the PCM base plate on the T-frame to aid in replacing it in the correct location.

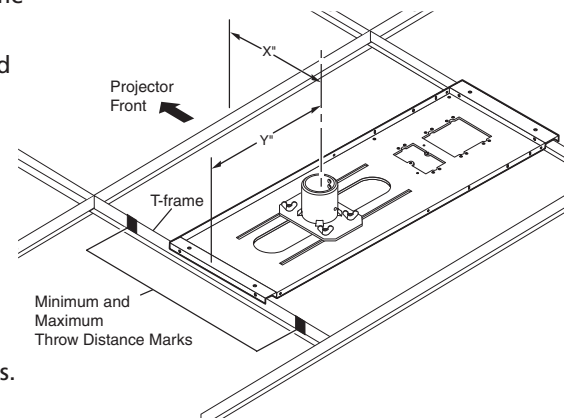


Figure 2. Minimum and Maximum Throw Distances

PCM 340 • Installation Guide (Continued)

- e. Measure the distances X and Y (see figure 2) from the inner vertical section of the front and left T-frame runners to the center of the Pipe Adapter Plate.
- f. Using these dimensions, mark and cut a hole (using a 2 inch hole saw) for the projector pipe in the removed ceiling tile (see figure 3).
- g. If required, to prepare the ceiling tile for a power outlet, use the PCM plate to trace and cut out the 2-gang hole in the ceiling tile for a UL approved RACO® junction box.

If this is not required, proceed to step 3.

TIP: Install any optional power outlets in the 2-gang opening on the mounting plate, towards the outside edge of the mount, so they do not interfere with the PMK 550 when installed.

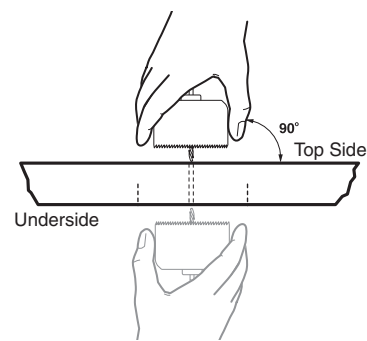


Figure 3. Mark and start cutting on underside. Finish on top side.

Step 2 — Install the Electrical Box.

The following method is recommended for integrating a 4S RACO electrical box (not supplied) on the PCM base plate (such as a RACO 231, 2 1/8 inch deep, 4 x 4 inch electrical box and a RACO 778, 1/2 inch raised, 4 x 4 inch plaster ring).

Install the RACO box on the PCM plate as follows:

- a. Attach the box to the plate, using the smallest notches in opposite corners of the cut-out (see figure 4). Do not tighten the screws fully at this time.
- b. On the room side of the tile, slide the plaster ring under the screws.
- c. Fully tighten the screws

WARNING: Risk of Personal Injury. For safety, complete all wiring of the electrical boxes and accessories after the plate is installed and secure. All electrical installation should be done by a qualified electrician.

NOTE: If installing a single-gang electrical box, use a Raco 503 junction box.

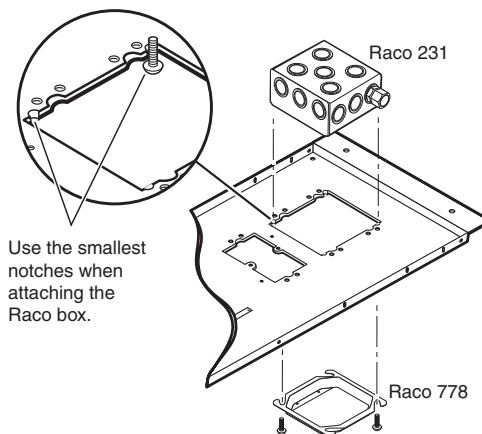


Figure 4. Install RACO Box and Plaster Ring.

Step 3 — Secure the PCM Base Plate to the Ceiling.

Tie wire installation

- a. Replace the cut ceiling tile, and temporarily replace the PCM base plate over the ceiling tile.
- b. Check the orientation and tile hole alignment hole(s) with the PCM adapter plate by pushing the slotted pipe up through the hole into the adapter plate.
- c. When adequately satisfied the plate and hole align, remove the pipe.
- d. Attach the four turnbuckles to the mounting plate, one at each corner.

ATTENTION: Risk of Personal Injury and property damage.

- DO NOT rest or lean on the mounting plate or suspended ceiling when attaching the turnbuckles and tie wire, or when drilling into the ceiling.
- For safest installation, insert the turnbuckle from the outside so that it hooks inwards.

- e. Mark and drill four holes, approximately 1/4 inch (32 mm) deep into the ceiling joists, using a 1/4 inch (6.4 mm) diameter drill bit. Do this at 10 degrees out from vertical. Drill a fifth hole centered above the PCM for the safety cable (see figure 5). The minimum joist size used should be 2 inches by 4 inches.

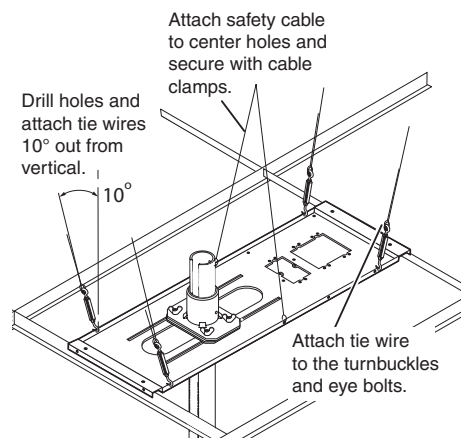


Figure 5. Attach Tie Wire and Safety Cable.

- f. Install appropriate anchors or lag eye bolts for the structural ceiling into each drilled hole.
- g. Loop the safety cable through the center anchor or lag eye bolt, attach it to the plate center holes (figure 6) and secure it with the cable clamps.
- h. Cut appropriate lengths of the supplied tie wire. Loop the wire through the anchors or lag eye bolts and the turnbuckles, then twist the wire around itself at least five times.
- i. Tighten the turnbuckles by hand (see figure 6), and level the plate so that it just rests on the grid.

ATTENTION: Potential Damage to Property.

- The four hanging wires should be taut, taking the full weight of the completed installation.
- Overtightening the turnbuckles could cause the T-bar assembly to be lifted, making the suspended ceiling bowed and unsafe.

- j. Tighten the four T-frame securing screws on the PCM.
- k. Push the slotted pipe up through the hole into the adapter plate and tighten the location and set screws to secure the pipe in place.

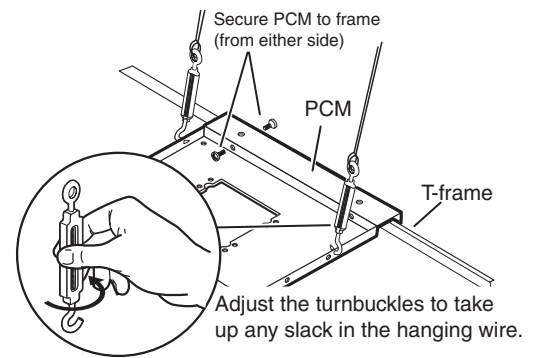


Figure 6. Adjust Turnbuckles.

Step 4 — Final Installation.

- a. Install the projector assembly and lock it into place.
- b. Tuck the signal cables into the slotted pipe and firmly snap the trim piece into place (see figure 7).

NOTE: The trim piece can be cut to the desired length.

- c. Open the escutcheon ring and, with the tabs uppermost, fit the ring around the slotted pipe (see figure 8), then close it. Slide the ring up until it is snug against the ceiling tile.
- d. Insert the hole plugs into the remaining open holes in the visible part of the pipe.
- e. Complete any further device installation according to the relevant device manual.

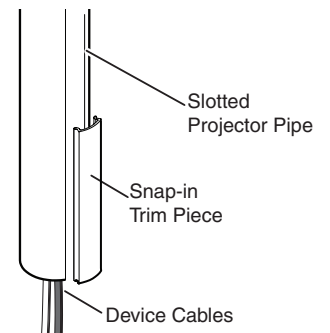


Figure 7. Snap in Trim Piece.

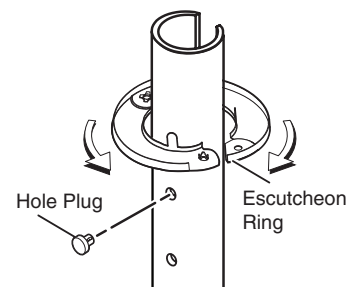


Figure 8. Fit Ring and Hole Plugs.