

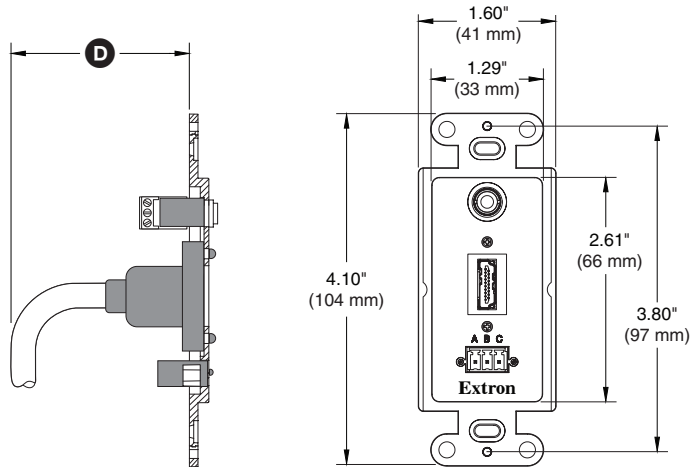
Specifications

WPD AV Control Series Wallplates

TRUE 4K Specifications

General

| | |
|------------------------------|---|
| Mounting | Extron AAP 314 or AAP 424 |
| Furniture or wall mount..... | Yes, with standard decorator-style wallplate |
| Enclosure type | Plastic |
| Connector type | |
| WPD 110 A | 1 female HDMI to 1 female HDMI on a pigtail cable, 10.00" (254 mm) 1 female 3.5 mm audio TRS jack to 3.5 mm captive screw connector, 3 pole (1) 3.5 mm captive screw connector, 3 pole to 3.5 mm captive screw connector, 3 pole |
| WPD 120 A | 1 female DisplayPort to 1 female DisplayPort on a pigtail cable, 10.00" (254 mm) 1 female 3.5 mm audio TRS jack to 3.5 mm captive screw connector, 3 pole (1) 3.5 mm captive screw connector, 3 pole to 3.5 mm captive screw connector, 3 pole |
| WPD 130 A | 1 female DVI to 1 female DVI on a pigtail cable, 10.00" (254 mm) 1 female 3.5 mm audio TRS jack to 3.5 mm captive screw connector, 3 pole (1) 3.5 mm captive screw connector, 3 pole to 3.5 mm captive screw connector, 3 pole |
| WPD 140 A | 1 female 15-pin HD on a pigtail cable, 6.00" (152 mm) 1 female 3.5 mm audio TRS jack to 3.5 mm captive screw connector, 3 pole (1) 3.5 mm captive screw connector, 3 pole to 3.5 mm captive screw connector, 3 pole |
| WPD 150 A | 1 female HDMI to 1 female HDMI on a pigtail cable, 10.00" (254 mm) 1 female 15-pin HD on a pigtail cable, 6.00" (152 mm) 1 female 3.5 mm audio TRS jack to 3.5 mm captive screw connector, 3 pole |
| WPD 160 | 1 female HDMI to 1 female HDMI on a pigtail cable, 10.00" (254 mm) 1 female USB-A to 1 female USB-A on a pigtail cable, 10.00" (254 mm) 1 female RJ-45 female to female barrel - CAT 5e |
| WPD 170 | 1 female HDMI to 1 female HDMI on a pigtail cable, 10.00" (254 mm) 1 female HDMI to 1 female HDMI on a pigtail cable, 10.00" (254 mm) 1 female RJ-45 female to female barrel - CAT 5e |
| Resolution range..... | HDMI cable: Up to 4K @ 60 Hz (4096x2160) or UHD @ 60 Hz (3840x2160) 8 bit color depth, max. 18.0 Gbps data rate |
| Enclosure dimensions | All models |
| Module..... | 4.10" H x 1.60" W x 0.26" D (104 mm H x 41 mm W x 6.6 mm D) (Depth excludes connectors. Fits into standard one-gang decorator-style frame.) Mounting holes are 3.80" (97 mm) apart. Face is 2.61" H x 1.29" W (66 mm H x 33 mm W). |



D Depths, Including Bend Radius:

- WPD 110 A: 2.0" (50 mm)
- WPD 120 A: 2.4" (60 mm)
- WPD 130 A: 2.4" (60 mm)
- WPD 140 A: 2.4" (60 mm)
- WPD 150 A: 2.4" (60 mm)
- WPD 160: 2.4" (60 mm)
- WPD 170: 2.4" (60 mm)

WPD 110 A

ATTENTION: Do not bend cable beyond the recommended depth.

Product weight 0.1 lb (<0.1 kg)
 Regulatory compliance..... RoHS, WEEE
 Warranty 3 years parts and labor

NOTE: Specifications are subject to change without notice.

NOTE: Shipping weights and dimensions are available at www.extron.com.