

# Specifications

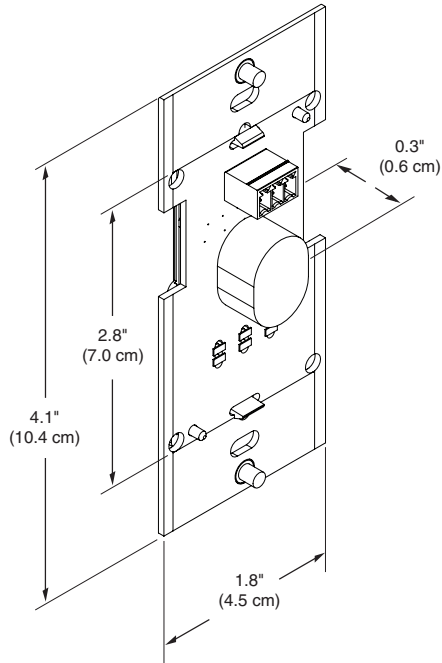
## VCM 200 Series

### Control — peripheral audio equipment

Volume control .....	0 to 10 VDC variable voltage, positive logic (the higher the voltage, the higher the volume)
Mute control .....	Momentary push switch with latching contact closure during mute; LED mute indication
Pin configurations	
D model .....	1 = GND, 2 = volume/mute (variable voltage), 3 = +10 VDC
EU and MK models .....	1 = +10 VDC, 2 = volume/mute (variable voltage), 3 = GND
Reference voltage .....	10 VDC

### General

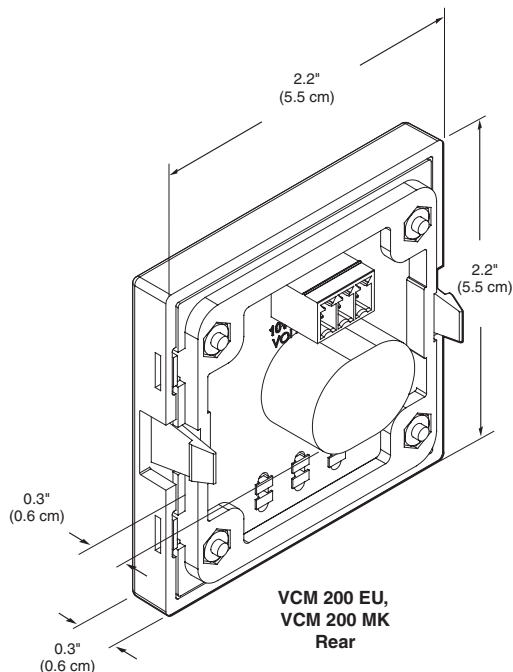
Power supply .....	External 10 VDC supplied by the Extron device being controlled (MLP, MPA, PVS, XPA)
Power consumption .....	Unmute mode: 0.2 watts, 10 VDC Mute mode: 0.4 watts, 10 VDC
Temperature/humidity .....	Storage: -40 to +158 °F (-40 to +70 °C) / 10% to 90%, noncondensing Operating: +32 to +122 °F (0 to +50 °C) / 10% to 90%, noncondensing
Mounting	
Furniture or wall mount	
D model .....	Mounts in a standard 1 gang US electrical junction box (1.50" depth) or with included mud ring.
EU model .....	Mounts in a standard 1 gang EU electrical junction box with 60 mm mounting centers (40 mm depth). An adapter plate is included.
MK model .....	Mounts to a standard 35 mm deep MK electrical junction box. An adapter plate is included.
Enclosure type .....	Plastic
Enclosure dimensions	
VCM 200 D	
Faceplate .....	2.6" H* x 1.3" W x 0.3" D (6.6 cm H* x 3.3 cm W x 0.6 cm D) (Excludes knob. Fits the opening in a 1 gang decorator-style wallplate. *Overall height is 4.1" (10.4 cm) including mounting tabs. Mounting holes are 3.8" [9.5 cm] apart on center.)
Device .....	2.8" H x 1.8" W x 0.3" D (7.0 cm H x 4.5 cm W x 0.6 cm D) (Overall rear dimensions, including connectors. Allow at least 1.5" [3.7 cm] depth in the wall or furniture for device and cable clearance.)



**VCM 200 D  
Rear**

VCM 200 EU, VCM 200 MK

Faceplate.....	2.2" H x 2.2" W x 0.3" D (1 gang EU, fits a Jung AS 500 wallplate) (5.5 cm H x 5.5 cm W x 0.7 cm D)
Wall frame.....	VCM 200 EU: 3.2" H x 3.2" W x 0.4" D (8.1 cm H x 8.1 cm W x 1.1 cm D) VCM 200 MK: 3.4" H x 3.4" W x 0.4" D (8.6 cm H x 8.6 cm W x 1.1 cm D)
Device .....	2.0" H x 1.8" W x 0.4" D (4.8 cm H x 4.6 cm W x 1.0 cm D) (Overall rear dimensions, including connectors. Allow at least 1.25" [3.2 cm] depth in the junction box for device and cable clearance.)



**VCM 200 EU,  
VCM 200 MK  
Rear**

Product weight .....	0.1 lb (<0.1 kg)
Vibration .....	ISTA 1A in carton (International Safe Transit Association)
Regulatory compliance	
Safety .....	CE, c-UL, UL
EMI/EMC .....	CE, C-tick, FCC Class A, ICES, VCCI
Warranty .....	3 years parts and labor

**NOTE:** All nominal levels are at  $\pm 10\%$ .

**NOTE:** Specifications are subject to change without notice.

**NOTE:** Shipping weights and dimensions are available at [www.extron.com](http://www.extron.com).