

## Specifications

### USB PowerPlate 300 Series

#### General

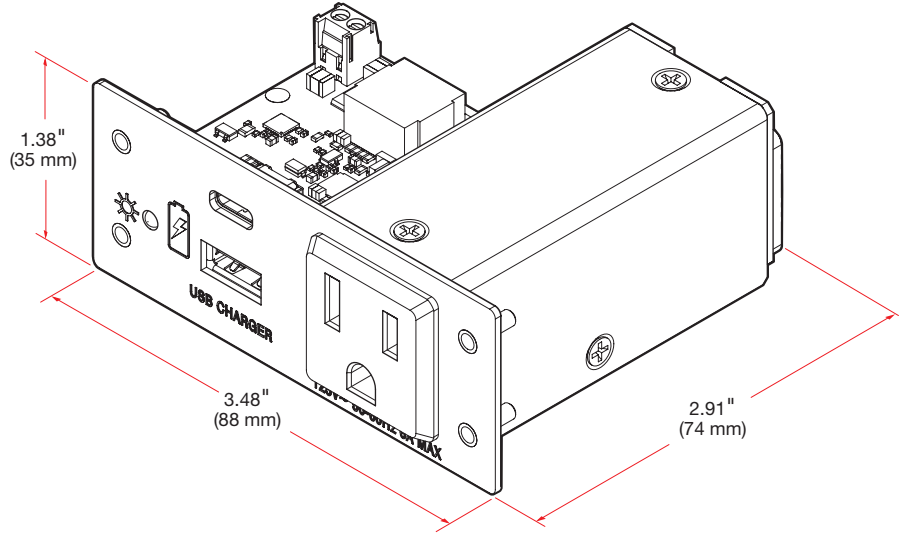
Power supply (USB) .....	External Input: 100-240 VAC, 50-60 Hz Output: 12 VDC, 4.2 A
Power output (USB) .....	USB Type-C: 5 VDC @ up to 3 A, 9 VDC @ up to 3 A, 12 VDC @ up to 3 A, 15 VDC @ up to 3A, or 20 VDC @ up to 2.25 A. USB Type-A: 5 VDC @ up to 2 A (5 VDC @ up to 0.5 A when USB Type-C is in 15 VDC or 20 VDC profile) 47.5 Total Watts
Power consumption	
Device .....	50.9 watts
Device and power supply .....	55.1 watts
Power output (AC models) .....	125 VAC, 50-60 Hz, 6 A max.
Temperature/humidity .....	Storage: -40 to +158 °F (-40 to +70 °C) / 10% to 90%, noncondensing Operating: +32 to +122 °F (0 to +50 °C) / 10% to 90%, noncondensing
Thermal dissipation (USB)	
Device .....	11.4 BTU/hr
Device and power supply .....	25.9 BTU/hr
Mounting	
Rack mount	
AAP/MAAP/AC AAP/ Flex55.....	Yes, with optional rack mounting frame
Furniture or wall mount	
AAP/MAAP/AC AAP/ Flex55.....	Yes, with optional mounting frame or enclosure
Enclosure type .....	Metal

# Specifications • USB PowerPlate 300 Series (Continued)

## Enclosure dimensions

### AC AAP

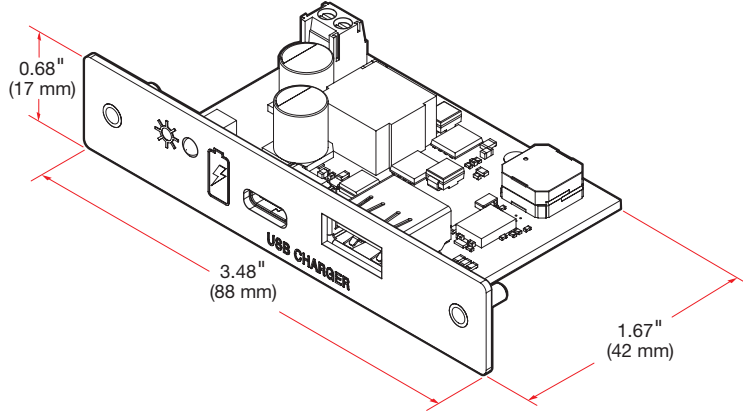
- Faceplate..... 1.38" H x 3.48" W x 0.1" D  
(35 mm H x 88 mm W x 3 mm D) (double space AAP plate)
  - Device ..... 1.30" H x 2.70" W x 2.87" D  
(33 mm H x 68 mm W x 73 mm D)
- With AC power cord attached, allow at least 5.0" (127 mm) depth in the furniture.



### USB PowerPlate 311 AC AAP model

### AAP

- Faceplate..... 0.68" H x 3.48" W x 0.1" D  
(17 mm H x 88 mm W x 3 mm D) (single space AAP plate)
- Device ..... 0.60" H x 2.47" W x 1.62" D  
(15 mm H x 63 mm W x 41 mm D) Allow at least 1.8" (46 mm) depth in the wall or furniture for cable management.

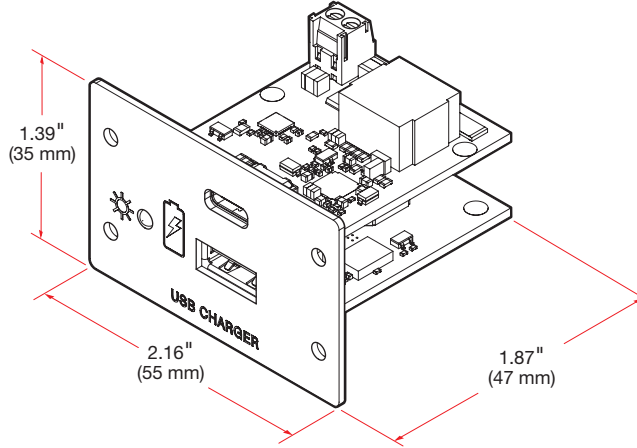


### USB PowerPlate 311 AAP model

# Specifications • USB PowerPlate 300 Series (Continued)

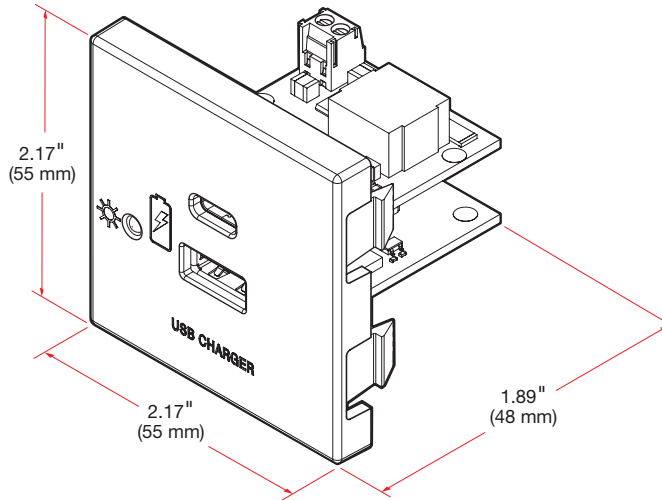
MAAP

- Faceplate..... 1.39" H x 2.16" W x 0.1" D  
(35 mm H x 55 mm W x 3 mm D) (double space MAAP plate)
- Device ..... 1.11" H x 1.41" W x 1.82" D  
(28 mm H x 36 mm W x 46 mm D) Allow at least 1.97" (50 mm) depth in the wall or furniture for cable management.



**USB PowerPlate 311 MAAP model**

- Flex55 dimensions..... 2.17" H x 2.17" W x 0.29" D  
(55 mm H x 55 mm W x 7.3 mm D) Allow at least 1.85" (47 mm) depth in the wall or furniture for cable management.



**Flex55 USB 311 PowerPlate model**

Product weight

- AC AAP..... 0.3 lbs (0.2 kg)
- AAP..... 0.1 lbs (0.1 kg)
- MAAP..... 0.1 lbs (0.1 kg)
- Flex55 ..... 0.1 lbs (0.1 kg)
- Regulatory compliance..... CE, c-UL, UL, C-tick, FCC Class A, ICES, VCCI Class A,  
Complies with the appropriate requirements of RoHS, WEEE
- Product warranty ..... 3 years parts and labor
- Everlast power supply warranty..... 7 years parts and labor

**NOTE:** Specifications are subject to change without notice.

**NOTE:** Shipping weights and dimensions are available at [www.extron.com](http://www.extron.com).