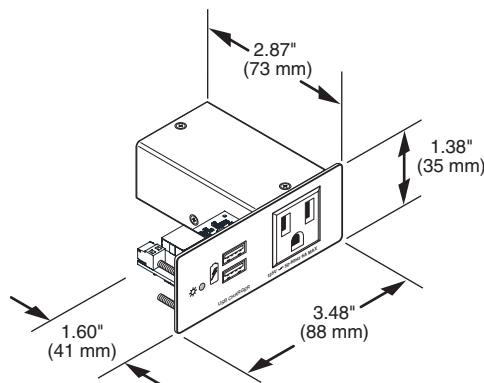


Specifications

USB PowerPlate 200 Series

General

Power supply (USB)	External Input: 100-240 VAC, 50-60 Hz Output: 12 VDC, 1.5 A, 18 watts
Power output (USB)	USB: 5 VDC Up to 2.4 A on a single port, 12 watts total Up to 3.0 A total shared, 15 watts total
Power consumption	
Device	17.1 watts
Device and power supply	19.5 watts
Power output (AC models)	125 VAC, 50-60 Hz, 6 A max.
Temperature/humidity	Storage: -40 to +158 °F (-40 to +70 °C) / 10% to 90%, noncondensing Operating: +32 to +122 °F (0 to +50 °C) / 10% to 90%, noncondensing
Thermal dissipation (USB)	
Device	8.1 BTU/hr
Device and power supply	16.3 BTU/hr
Mounting	
Rack mount	
AAP/MAAP/AC AAP	Yes, with optional rack mounting frame
Furniture or wall mount	
AAP/MAAP/AC AAP	Yes, with optional AAP mounting frame
Enclosure type	Metal
Enclosure dimensions	
AC AAP	
Faceplate.....	1.38" H x 3.48" W x 0.05" D (35 mm H x 88 mm W x 1 mm D (double space AAP plate))
Device	1.30" H x 2.70" W x 3.05" D (33 mm H x 69 mm W x 78 mm D) With AC power cord attached, allow at least 5.00" (127 mm) depth in the furniture.



Specification • USB PowerPlate 200 Series (Continued)

AAP

Faceplate.....	0.68" H x 3.48" W x 0.05" D (17 mm H x 88 mm W x 1 mm D) (single space AAP plate)
Device	0.54" H x 2.03" W x 1.47" D (14 mm H x 52 mm W x 37 mm D) Depth excludes connectors. Allow at least 1.57" (40 mm) depth in the wall or furniture.

MAAP

Faceplate.....	1.39" H x 2.16" W x 0.05" D (35 mm H x 55 mm W x 1 mm D) (double space MAAP plate)
Device	0.78" H x 1.40" W x 1.47" D (20 mm H x 36 mm W x 37 mm D) Depth excludes connectors. Allow at least 1.58" (40 mm) depth in the wall or furniture.

Product weight	0.1 lbs (<0.1 kg)
Regulatory compliance.....	CE, c-UL, UL, C-tick, FCC Class A, ICES, VCCI Class A, RoHS, WEEE
Everlast power supply warranty.....	7 years parts and labor
Product Warranty	3 years parts and labor

NOTE: Specifications are subject to change without notice.

NOTE: Shipping weights and dimensions are available at www.extron.com.

4353-D5