

Specifications

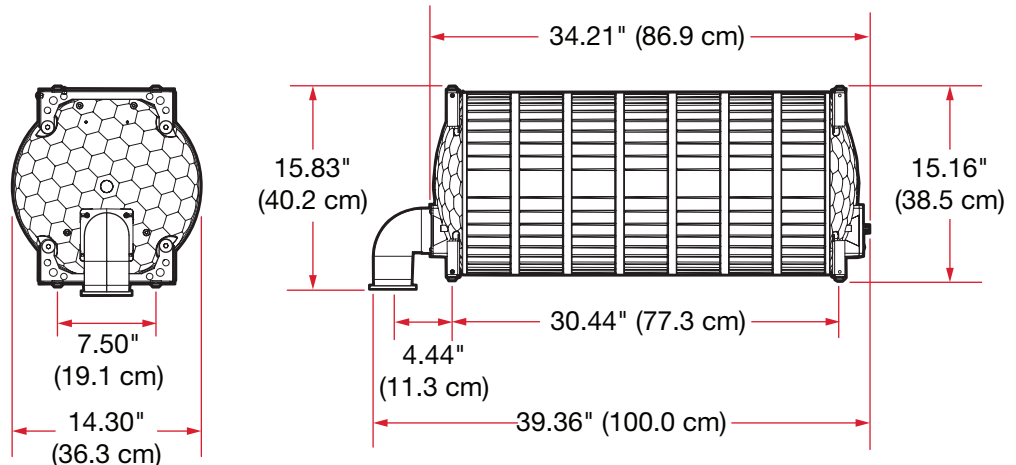
SF 10C SUB

Audio/acoustic and electrical

Speaker type	In-ceiling subwoofer
Frequency range	25 Hz to 160 Hz, -10 dB, half space (per IEC 60268-5)
Power capacity	400 W (rms) continuous pink noise (per IEC 60268-5) 800 W (rms) continuous program
Rated maximum input voltage (MIV)	35.7 V (160 W at 8 ohms) (per AES2-2012)
Maximum SPL	116 dB, 1 m (based on maximum input voltage), full space 119 dB, 1 m (linear), full space
Nominal sensitivity	93 dB SPL, 1 W/1 m, corner loading
Nominal impedance	8 ohms
Driver	(1) 10" (254 mm) paper cone with waterproof coating
Input connector	(1) 5 mm captive screw connector, 4-pole, for double wiring

General

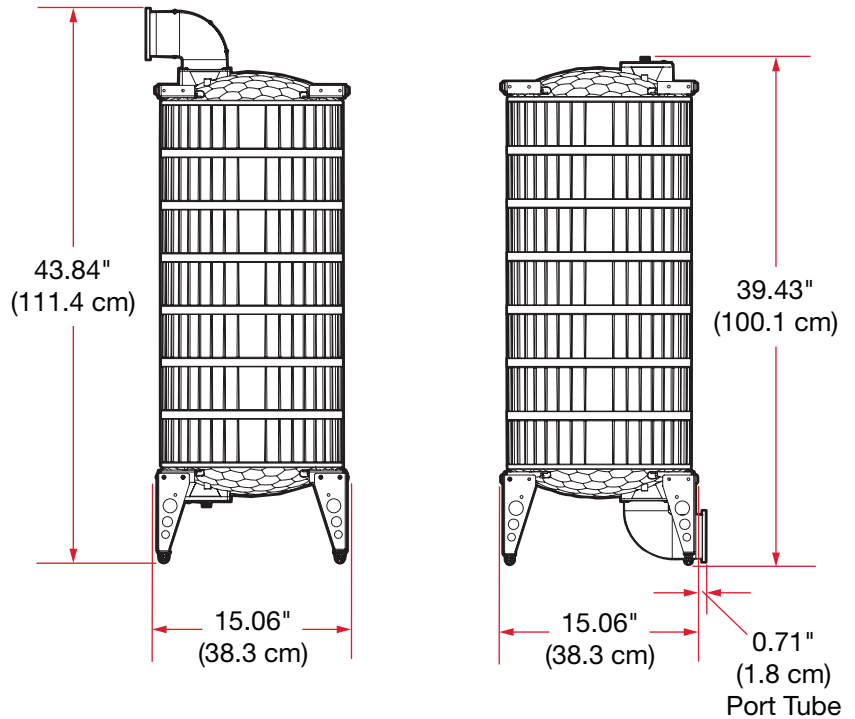
Package	1 speaker
Included accessories	Cutout template, setup guide, grille assembly kit, cable clamps, mounting cables (aircraft cables), isolation grommets, eye bolts
Temperature/humidity	Storage: -40 to +158 °F (-40 to +70 °C) / 10% to 90%, noncondensing Operating: +32 to +122 °F (0 to +50 °C) / 10% to 90%, noncondensing
Mounting	Mounts horizontally in the ceiling (standard, with included parts) or vertically on the floor (with optional SMK F SF 10C kit). For unistrut mounting, the unit includes 0.5" (13 mm) diameter mounting holes 1.875" (48 mm) apart on center.
Enclosure type	Plenum rated, fire resistant (UL 94V-0) composite with steel outer mesh and metal grille
Enclosure dimensions	
Without port tube	15.16" H x 14.30" W x 34.21" L (38.5 cm H x 36.3 cm W x 86.9 cm L)
With port tube	15.83" H x 14.30" W x 39.36" L (40.2 cm H x 36.3 cm W x 100 cm L)



NOTE: These dimensions exclude eye bolts.

Specifications • SF 10C SUB (Continued)

Cutout dimensions	7.6" (193 mm) diameter (for the grille adapter kit)
Horizontal mounting height	15.97" (406 mm) nominal distance from the bottom of the ceiling tile to the top of the unit
Vertical mounting height.....	With optional SMK F SF 10C floor mounting kit installed
With port on top	43.84" (111.4 cm) from the bottom of the mounting feet to the top of the port
With port on bottom	39.43" (100.1 cm) from the bottom of the mounting feet to the top of the enclosure



Product weight	
SF 10C SUB.....	38.0 lbs (17.2 kg)
Grille assembly	0.3 lbs (0.1 kg)
Regulatory compliance.....	CE, RoHS, UL 1480A, UL 2043, WEEE
Product warranty	5 years parts and labor

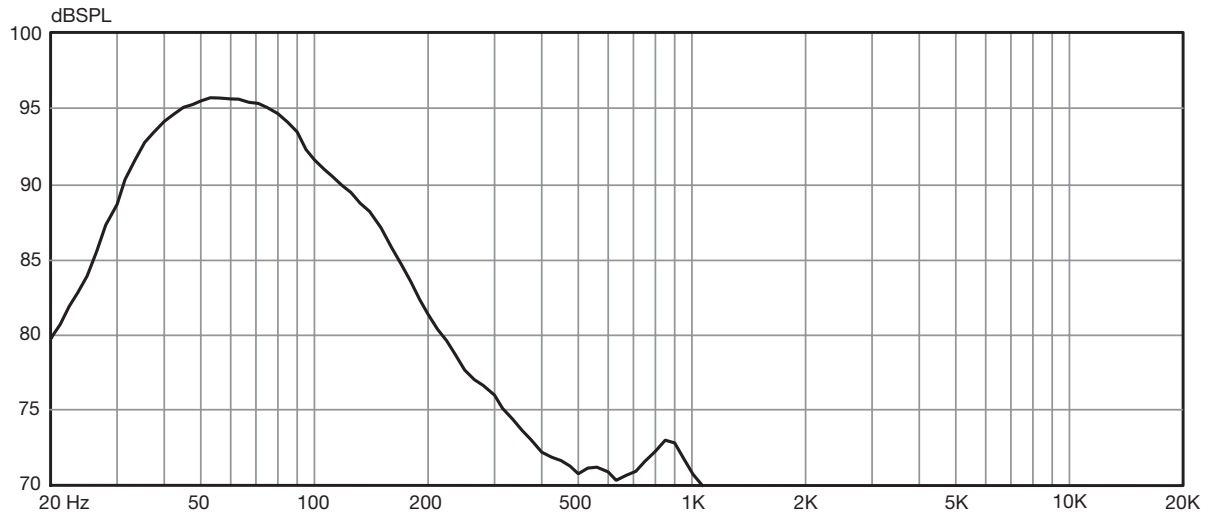
NOTE: All nominal levels are at $\pm 10\%$.

NOTE: Specifications are subject to change without notice.

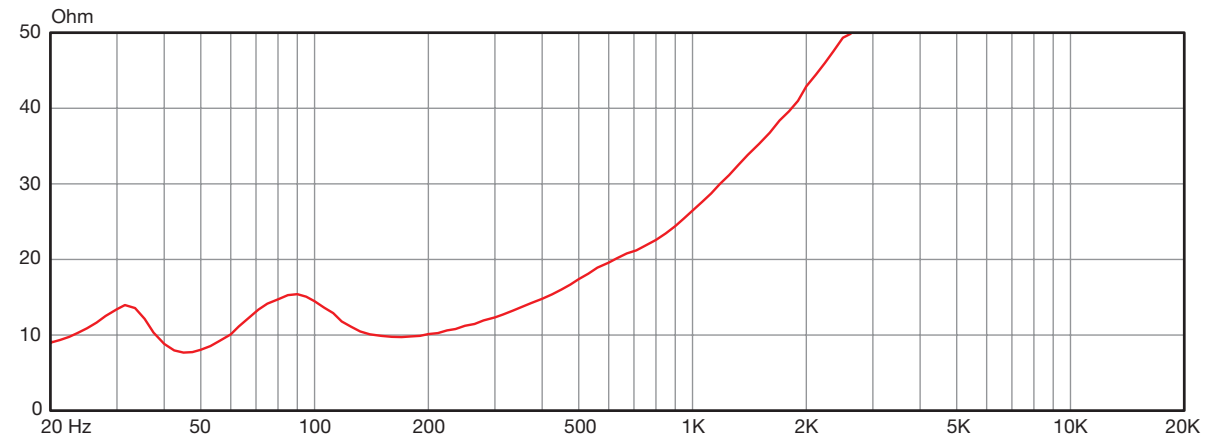
NOTE: Shipping weights and dimensions are available at www.extron.com.

SF 10C SUB RESPONSE GRAPHS – FREQUENCY AND IMPEDANCE

SPL vs. FREQUENCY – 1 WATT @ 1 METER RESPONSE, HALF SPACE (2 π)



IMPEDANCE vs. FREQUENCY



4651-D4