

Specifications

Retractor SM

Retractor SM Show Me Cables

TRUE 4K

Max. 4K Capabilities		
Resolution and Refresh Rate	Chroma Sampling	Max. Bit Depth per Color
4096 x 2160 at 30 Hz	4:4:4	8 bit
3840 x 2160 at 30 Hz		
4096 x 2160 at 60 Hz	4:2:0	
3840 x 2160 at 60 Hz		

Frame rate ¹	24, 25, 30, 50, or 60 fps
Chroma sampling ¹	4:4:4, 4:2:2, or 4:2:0
Color bit depth ¹	8 bits per color
Signal type ¹	HDMI 2.0, DisplayPort 1.2
Maximum video data rate	
HDMI	10.2 Gbps (3.4 Gbps per color)
DisplayPort	10.8 Gbps (2.7 Gbps per lane)

NOTE: ¹Subject to the maximum data rate limit. Use our calculator (www.extron.com/4KdataRate) to determine video parameters supported by this data rate.

HDMI SM Show Me Cable

Standards	High speed HDMI 2.0
Connector type	1 male HDMI type A to 1 male HDMI type A
Maximum data rate	10.2 Gbps (3.4 Gbps per color)
Resolution range	4K (4096x2160) @ 30 Hz, UHD (3840x2160) @ 30 Hz 4K/UHD @ 60 Hz with 4:2:0 chroma subsampling
Color bit depth	8 max.
Voltage	30 V
Regulatory compliance	UL
Temperature rating	80° C

DisplayPort SM Show Me Cables

Standards	DisplayPort 1.2
Connector type	1 male latching DisplayPort to 1 male HDMI type A; active, one-way adapter
Maximum data rate	10.8 Gbps (2.7 Gbps per lane)
Resolution range	4K (4096x2160) @ 30 Hz, UHD (3840x2160) @ 30 Hz
Color bit depth	8 max.
Voltage	30 V
Regulatory compliance	UL
Temperature rating	80° C

Specification • Retractor SM (Continued)

Mini DisplayPort SM Show Me cables

Standards.....	DisplayPort 1.2
Connector type	1 male Mini DisplayPort to 1 male HDMI type A; active, one-way adapter
Maximum data rate	10.8 Gbps (2.7 Gbps per lane)
Resolution range	4K (4096x2160) @ 30 Hz, UHD (3840x2160) @ 30 Hz
Color bit depth	8 max.
Voltage.....	30 V
Regulatory compliance.....	UL
Temperature rating	80 °C

NOTE: All "SM" cables include a 24 inch (609 mm) control/tally pigtail.

Retractor SM - Analog

VGA SMC Show Me Cable

Connector type	1 male 15-pin HD to 1 male 15-pin HD
Voltage.....	30 V
Regulatory compliance.....	UL
Temperature rating	80 °C

NOTE: All "SM" cables include a 24 inch (60 cm) control/tally pigtail.

Retractor SM Network and Audio Cables

Network cables

Standards.....	Cat 6
Connector type	1 male shielded RJ-45 to 1 male shielded RJ-45
Voltage.....	30 V
Regulatory compliance.....	UL
Temperature rating	80 °C

Audio cables

Connector type	1 male 3.5 mm stereo audio TRS (tip, ring, sleeve) to 1 male 3.5 mm TRS
Voltage.....	30 V
Regulatory compliance.....	UL
Temperature rating	80 °C

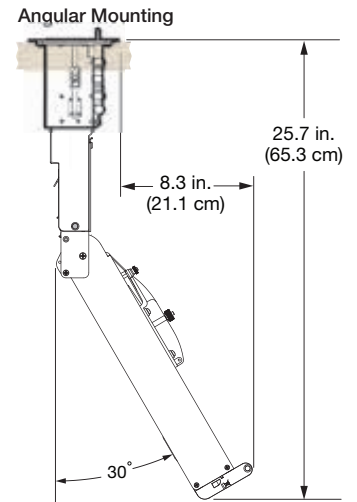
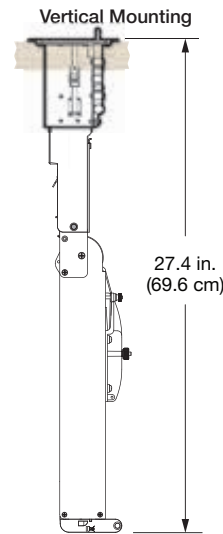
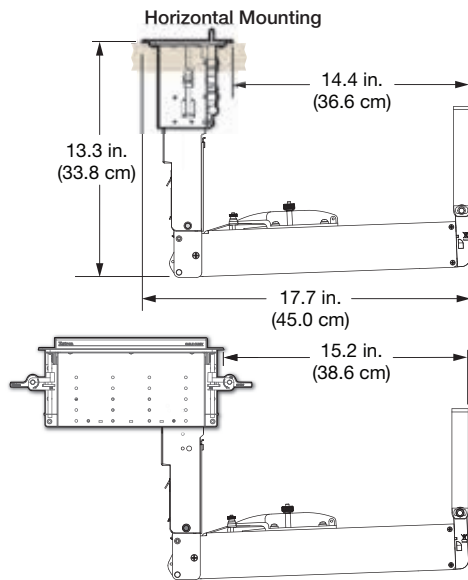
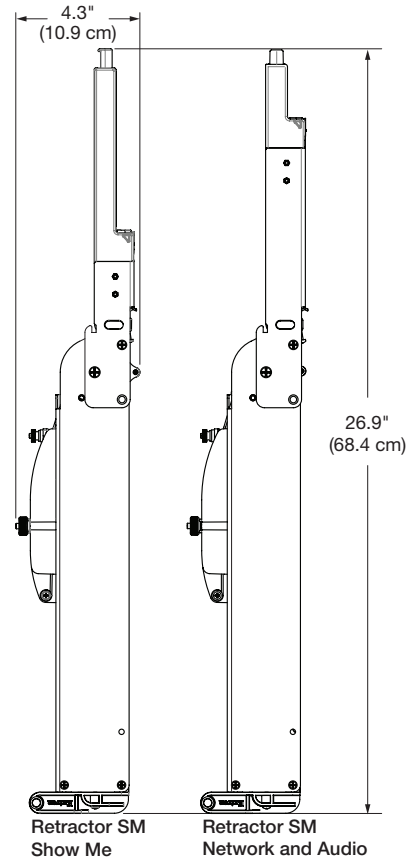
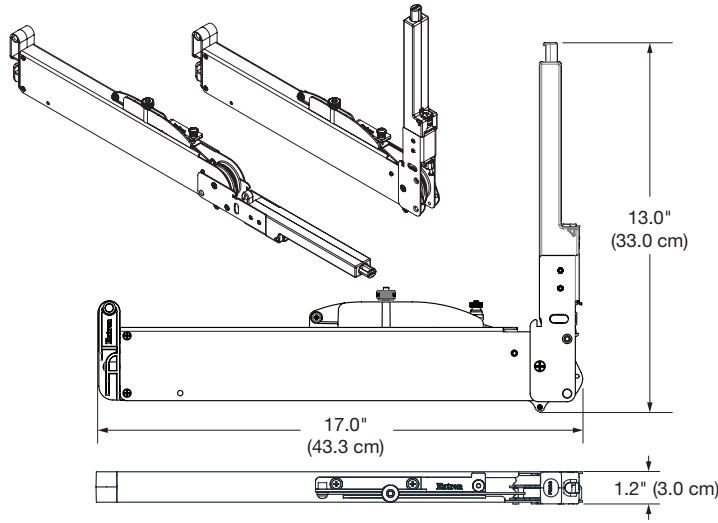
General

Mounting Mountable into Extron TeamWork® Collaboration Systems only (sold separately)

NOTE: An optional bracket is required for horizontal mounting.

Enclosure type	Metal and plastic
Enclosure dimensions	4.3" H x 1.2" W x 26.9" D (10.9 cm H x 3.0 cm W x 68.4 cm D) See the following diagrams for additional dimensions.

Specification • Retractor SM (Continued)



NOTE: Shown with optional Cable Cubby 1202 enclosure.

Product weight 3.5 lbs (1.6 kg)

Specification • Retractor SM (Continued)

Regulatory compliance..... RoHS, WEEE
Life expectancy..... Tested to exceed 5000 cycles
Warranty 3 years parts and labor including preinstalled cable assembly

NOTE: Specifications are subject to change without notice.

NOTE: Shipping weights and dimensions are available at www.extron.com.

3637-D4