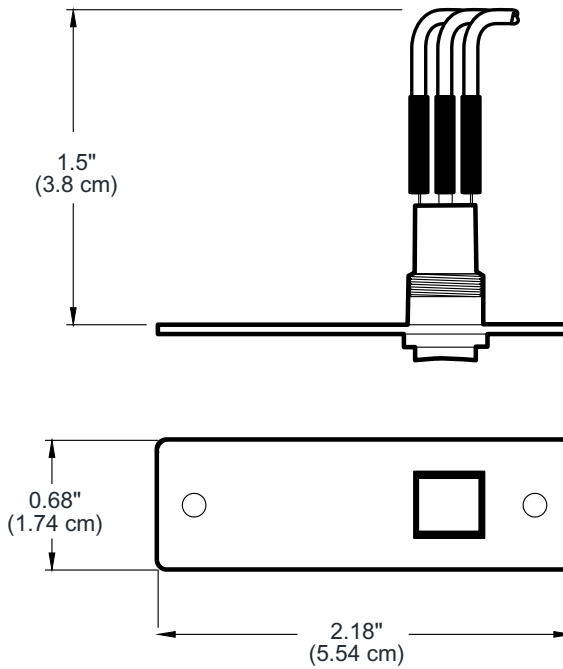


Specifications

One Contact Closure Switch to Captive Screw on 4" Pigtail

General

Mounting	Mountable in optional MAAP mounting frame
Enclosure type	Metal
Connector type	1 contact closure switch to 1 5-pole, 3.5 mm captive screw connector on a pigtail cable
Enclosure dimensions	
Faceplate	0.7" H x 2.2" W x 0.1" D (1.8 cm H x 5.6 cm W x 0.3 cm D)
Enclosure/connectors	Allow 1.5" (3.8 cm) depth for cable management



ATTENTION: Do not bend the cable beyond the recommended depth.

Product Weight	0.33 lb (0.15 kg)
Shipping Weight	1 lb (1 kg)
Vibration	ISTA 1A in carton (International Safe Transit Association)
Regulatory compliance	
Environmental	Complies with the appropriate requirements of RoHS, WEEE
Warranty	3 years parts and labor.

NOTE: Specifications are subject to change without notice.

8.0-050514-D1