

Specifications

Flex55 100 Series Power Modules

General

Mounting Mounts to Flex55 frames and enclosures.

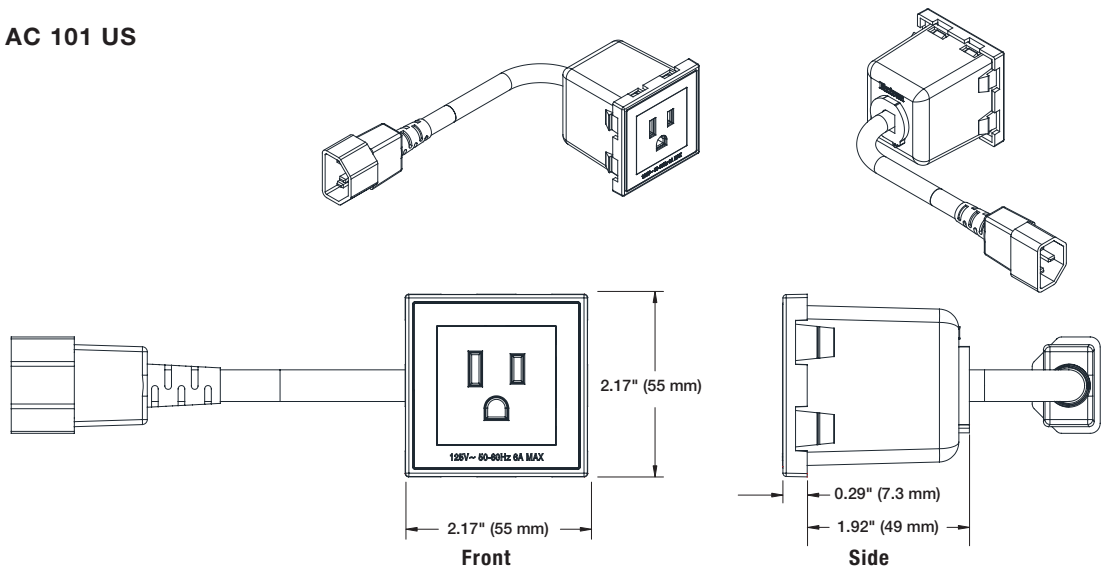
Faceplate dimensions 2.17" H x 2.17" W x 0.29" D
(55 mm H x 55 mm W x 7.3 mm D)

Pigtail cable length is 11" (0.28 m)

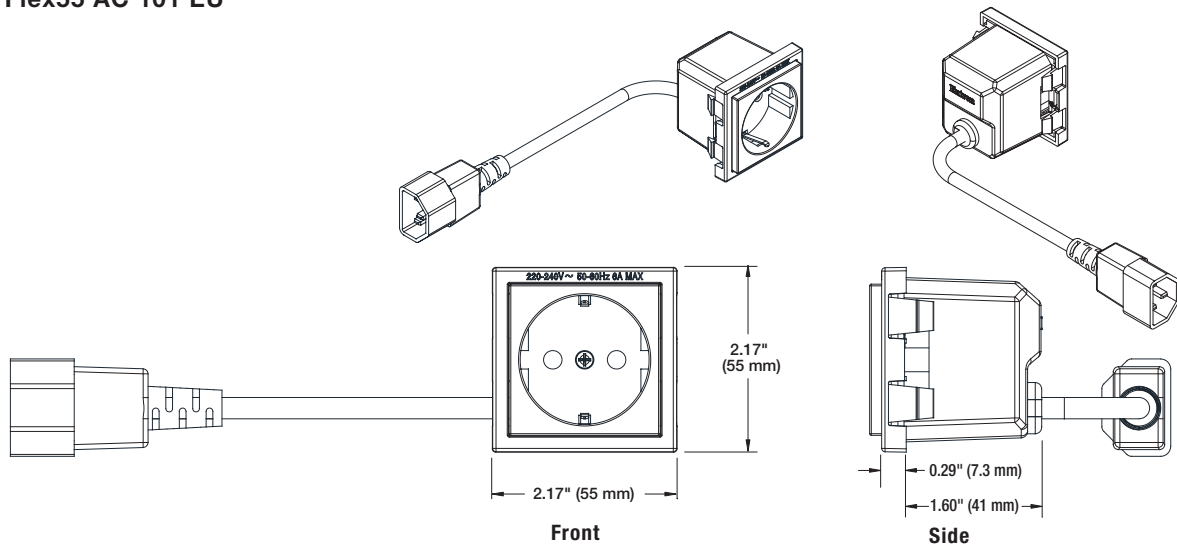
EU and Multi-region modules: Allow 1.85" (47 mm) depth for cable management.

US module: Allow 2.50" (64 mm) depth for cable management.

Flex55 AC 101 US

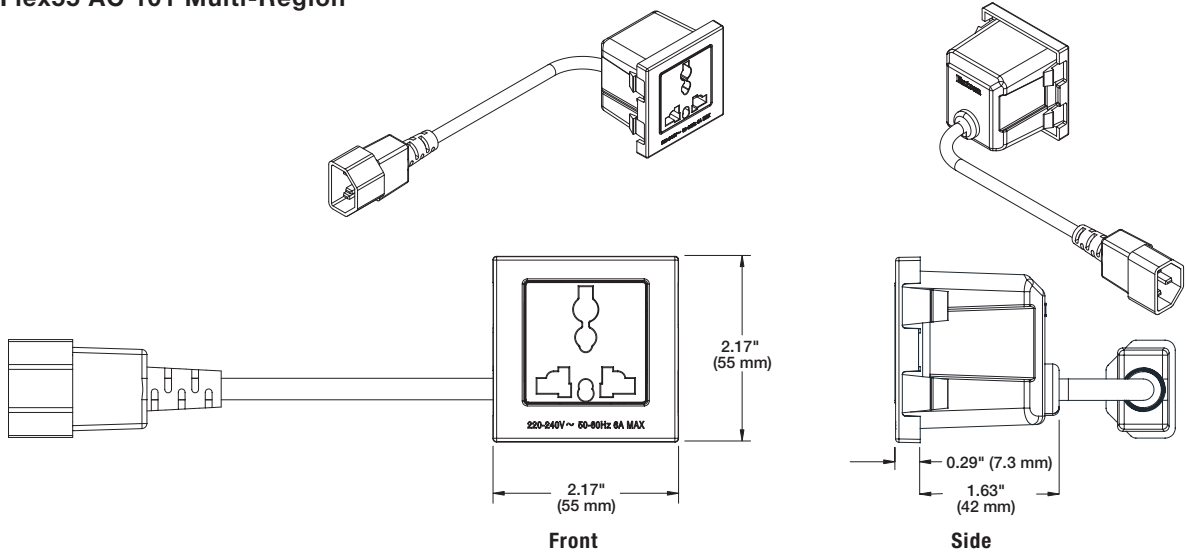


Flex55 AC 101 EU

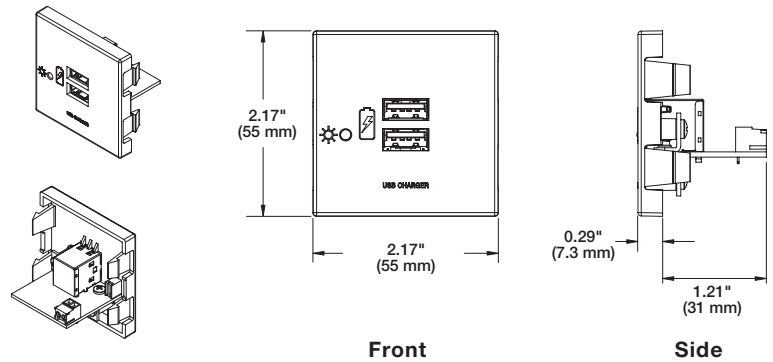


Specifications • Flex55 100 Series Power Modules (Continued)

Flex55 AC 101 Multi-Region



Flex55 USB PowerPlate 102



Power supply (USB)	External Input: 100-240 VAC, 50-60 Hz Output: 12 VDC, 1 A
Power output	
US modules	Pass-through: 120 VAC, 50-60 Hz, 6 A MAX
EU and Multi-Region modules ..	Pass-through: 220-240 VAC, 50-60 Hz, 6 A MAX
USB modules	5 VDC, 2.1 A, 10.5 watts total
Power consumption (USB)	
Device	10.8 watts
Device and power supply	13.2 watts
Temperature/humidity (USB).....	Storage: -40 to +158 °F (-40 to +70 °C) / 10% to 90%, noncondensing Operating: +32 to +122 °F (0 to +50 °C) / 10% to 90%, noncondensing
Thermal dissipation (USB)	
Device	2.7 BTU/hr
Device and power supply	10.7 BTU/hr
Material	High-impact plastic blend
Product weight	
Flex55 AC 101 US.....	0.24 lb (0.12 kg)
Flex55 AC 101 EU.....	0.21 lb (0.10 kg)
Flex55 AC 101 Multi-Region	0.23 lb (0.11 kg)
Flex55 USB PowerPlate 102 ...	0.04 lb (0.03 kg)
Regulatory compliance.....	CE, RoHS, WEEE
EMI/EMC (USB model)	C-tick, FCC Class A, ICES, VCCI Class A
US module	UL, c-UL

Specifications • Flex55 100 Series Power Modules (Continued)

Warranty 3 years parts and labor

NOTE: Specifications are subject to change without notice.

NOTE: Shipping dimensions and weights are available at www.extron.com.

4253-D3