

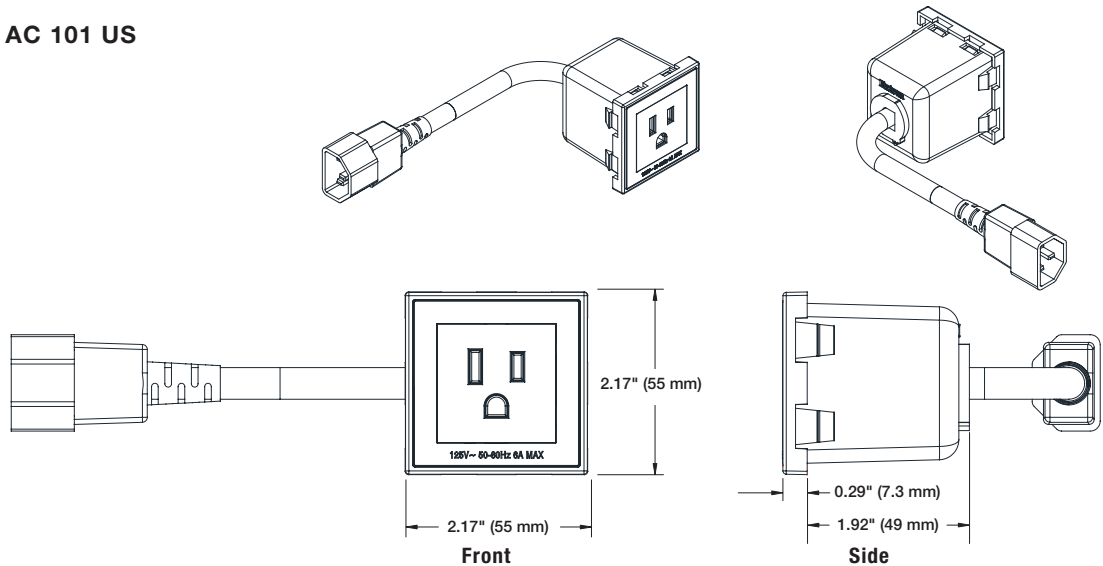
Specifications

Flex55 100 Series Power Modules

General

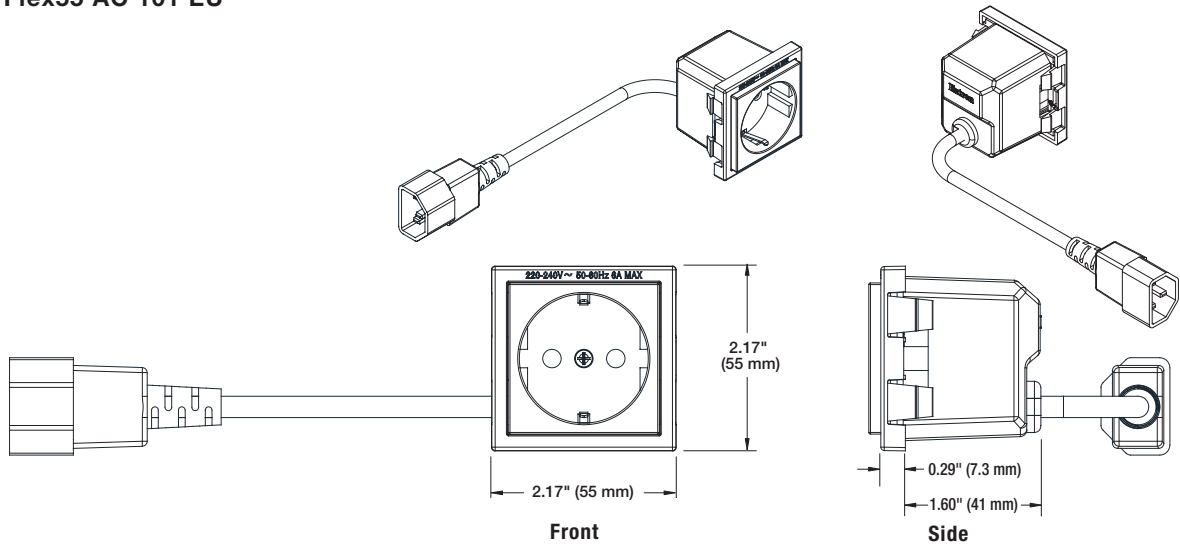
| | |
|-------------------------------|---|
| Power output | |
| US modules | Pass-through: 120 VAC, 50-60 Hz, 6 A MAX |
| EU, UK, SW, MR modules | Pass-through: 220-240 VAC, 50-60 Hz, 6 A MAX |
| USB modules | 5 VDC, 2.1 A, 10.5 watts total |
| Power supply (USB) | External, included |
| | Input: 100-240 VAC, 50-60 Hz |
| | Output: 12 VDC, 1.5 A, 18 watts |
| Power consumption (USB) | |
| Device | 10.8 watts |
| Device and power supply | 13.2 watts |
| Thermal dissipation (USB) | |
| Device | 2.7 BTU/hr |
| Device and power supply | 10.7 BTU/hr |
| Mounting | Mounts to Flex55 frames and enclosures. |
| Faceplate dimensions | 2.17" H x 2.17" W x 0.29" D (55 mm H x 55 mm W x 7.3 mm D) Pigtail cable length is 11" (28 cm) US, UK, SW modules: Allow 2.50" (64 mm) depth for cable management. EU, MR, USB modules: Allow 1.85" (47 mm) depth for cable management. |

Flex55 AC 101 US

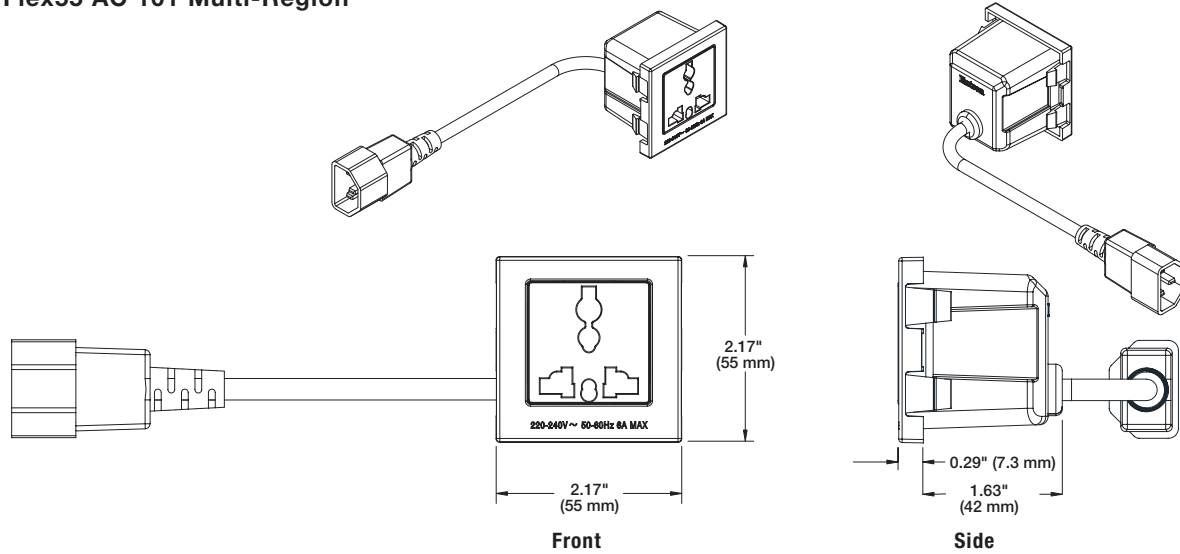


Specifications • Flex55 100 Series Power Modules (Continued)

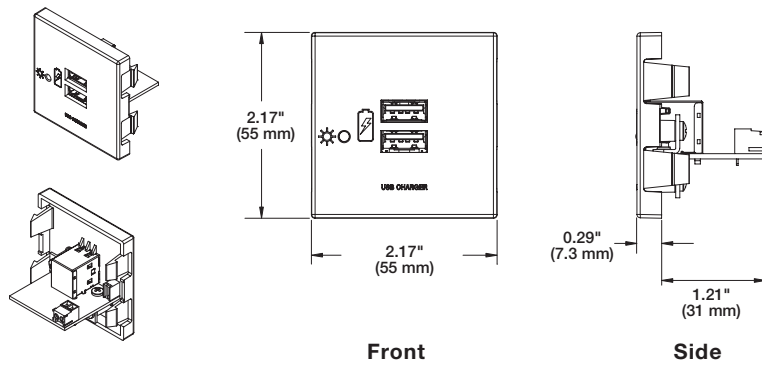
Flex55 AC 101 EU



Flex55 AC 101 Multi-Region

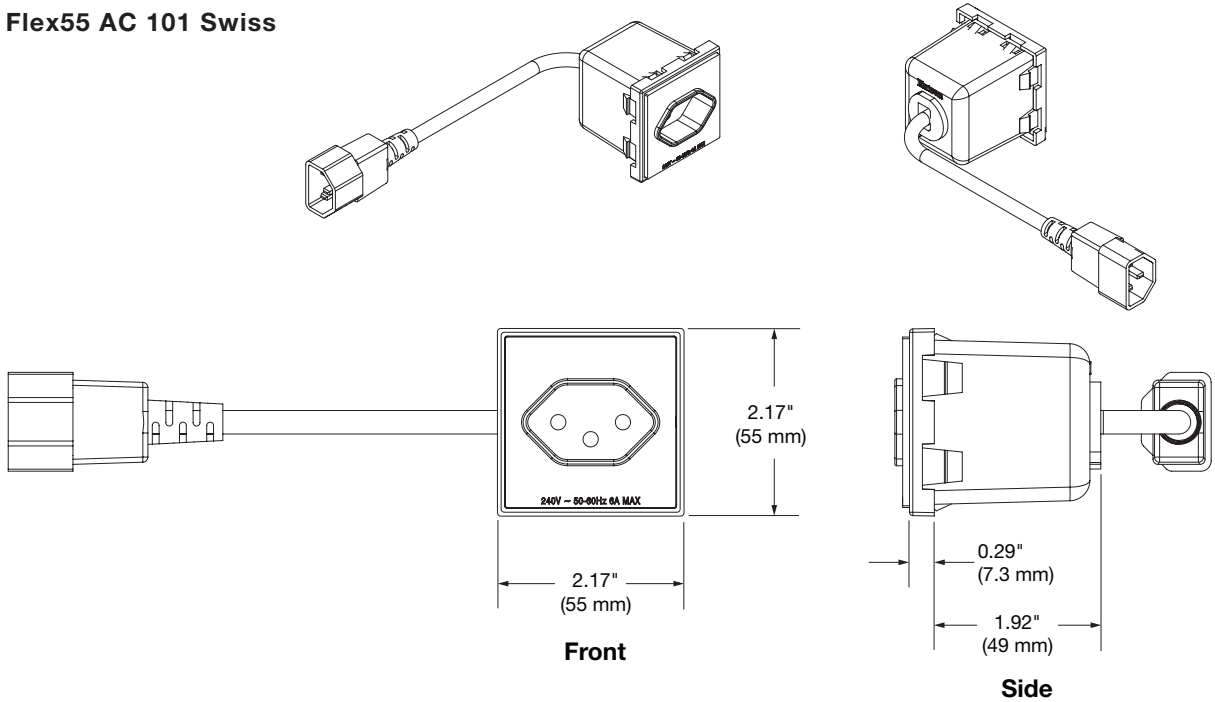


Flex55 USB PowerPlate 102

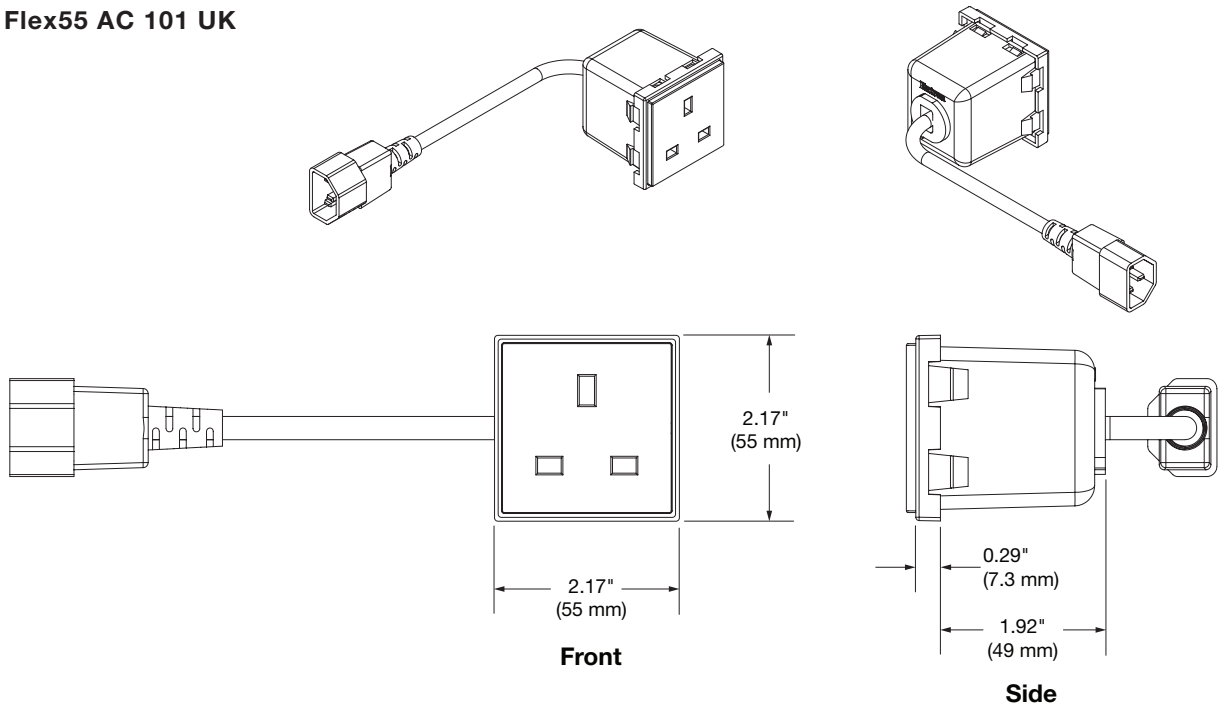


Specifications • Flex55 100 Series Power Modules (Continued)

Flex55 AC 101 Swiss



Flex55 AC 101 UK



| | |
|---------------------------------|--|
| Temperature/humidity (USB)..... | Storage: -40 to +158 °F (-40 to +70 °C) / 10% to 90%, noncondensing Operating: +32 to +122 °F (0 to +50 °C) / 10% to 90%, noncondensing |
| Material | High-impact thermoplastic |
| Product weight | |
| Flex55 AC 101 | 0.24 lb (0.12 kg) |
| Flex55 USB PowerPlate 102 ... | 0.04 lb (0.03 kg) |
| Regulatory compliance..... | CE, RoHS, WEEE |
| US module | UL, c-UL |
| USB module..... | C-tick, FCC Class A, ICES, VCCI Class A |

Specification • Flex55 100 Series Power Modules (Continued)

Everlast power supply warranty..... 7 years parts and labor
Product warranty 3 years parts and labor

NOTE: Specifications are subject to change without notice.

NOTE: Shipping dimensions and weights are available at www.extron.com.

4358-D4