

Specifications

EBP 104 EU

eBUS control interface

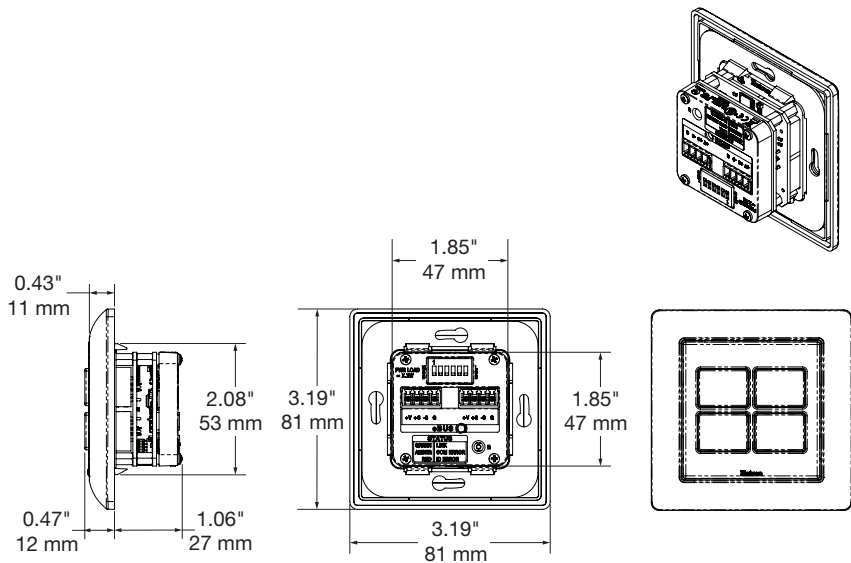
eBUS control ports	(2) 3.5 mm captive screw connectors, 4 pole
eBUS pin configuration	+V = +12 VDC; +S = + signal; -S = - signal; G = ground
Recommended cable type.....	Extron STP20-2/1000 or STP20-2P/1000 cable
Maximum system cable length.....	1000 feet (305 meters) sum total for the eBUS system, regardless of topology. Power injection may be required depending on system cabling topology and primary power supply wattage. See the <i>eBUS® Button Panel EU and MK Series Setup Guide</i> or <i>eBUS Technology Reference Guide</i> for details.

Software and control options

Configuration software	Global Configurator Plus and Professional
Programming software.....	Global Scripter
Control apps	Extron Control
Utilities	Toolbelt

General

Power	12 VDC (Power is supplied by an Extron IPCP Pro series control processor or optional power supply).
Power consumption.....	0.5 W
Temperature/humidity	Storage: -40 to +158 °F (-40 to +70 °C) / 10% to 90%, noncondensing Operating: +32 to +122 °F (0 to +50 °C) / 10% to 90%, noncondensing
Cooling	Convection, no vents
Thermal dissipation.....	TBD BTU/hr
Mounting	
Rack mount.....	Yes with optional accessories
Furniture or wall mount.....	Yes, in a standard 1-gang EU electrical junction box or Flex55 frames and enclosures.
Enclosure type	Plastic faceplate and high-impact plastic rear enclosure



Enclosure dimensions

Faceplate	3.19" H x 3.19" W x 0.47" D (81 mm H x 81 mm W x 12 mm D) (Depth includes buttons.)
Device	1.85" H x 1.85" W x 1.06" D (47 mm H x 47 mm W x 27 mm D) 1.85" H x 1.85" W x 1.46" D (47 mm H x 47 mm W x 37 mm D) including captive screw connectors (Allow enough depth in the junction box for device and cable clearance.)
Product weight	0.2 lb (0.1 kg)
Vibration	ISTA 1A in carton (International Safe Transit Association)
Regulatory compliance	
Safety	CE, c-UL, UL
EMI/EMC.....	CE, C-Tick, FCC Class A, ICES, VCCI class A
Environmental.....	Complies with the appropriate requirements of RoHS, WEEE
Accessibility.....	Complies with the appropriate requirements of Section 508 of the Rehabilitation Act (29 U.S.C. 794d).
Warranty	3 years parts and labor

NOTES:

- All nominal levels are at $\pm 10\%$.
- Specifications are subject to change without notice.
- Shipping dimensions and weights are available at www.extron.com.

4070-D1-071917