



# Specifications

## DisplayPort Adapter Cables

### Performance/electrical – cable

Standards .....	DisplayPort 1.1, HDMI, DVI, VGA
Data rates	
HDMI/DVI .....	Up to 2.5 Gbps per lane
VGA .....	Up to 1.62/2.7 Gbps per lane (up to two lanes)
Voltage.....	40 V
Pair impedance.....	100 ohms ±10 ohms

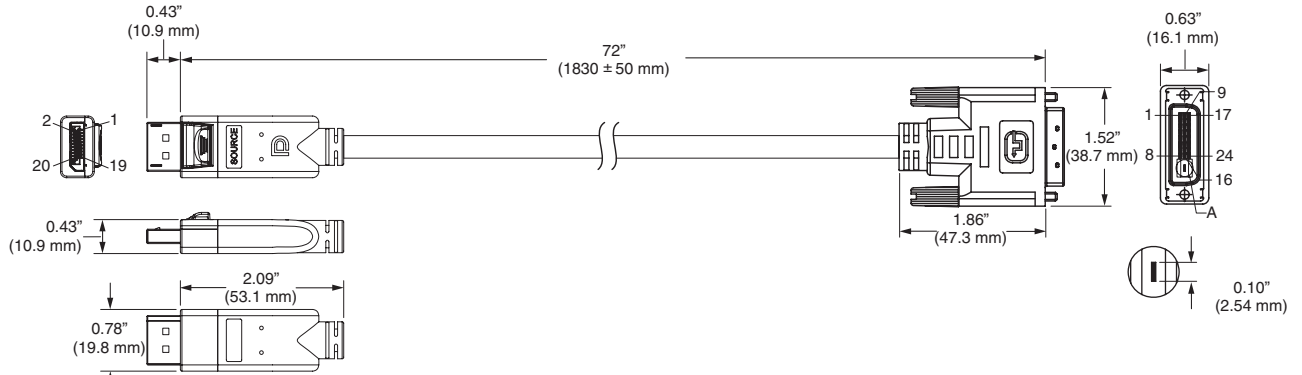
### Connectors

Connector type .....	1 male latching DisplayPort to 1 female HDMI, 1 male DVI, and 1 male VGA
Contacts.....	Gold plated
Connector dimensions	
DisplayPort.....	For DisplayPort to DVI and DisplayPort to HDMI cables: 2.09" L x 0.78" W x 0.43" H (53.1 mm L x 19.8 mm W x 10.9 mm H)
	For DisplayPort to VGA cables: 1.71" L x 0.78" W x 0.43" H (43.5 mm L x 19.8 mm W x 10.9 mm H)
DVI .....	1.86" L x 1.52" W x 0.63" H (47.3 mm L x 38.7 mm W x 16.1 mm H)
VGA .....	2.82" L x 1.33" W x 0.64" H (71.6 mm L x 33.8 mm W x 16.3 mm H)
HDMI.....	1.56" L x 0.87" W x 0.44" H (39.7 mm L x 22.1 mm W x 11.1 mm H)

### General – physical characteristics

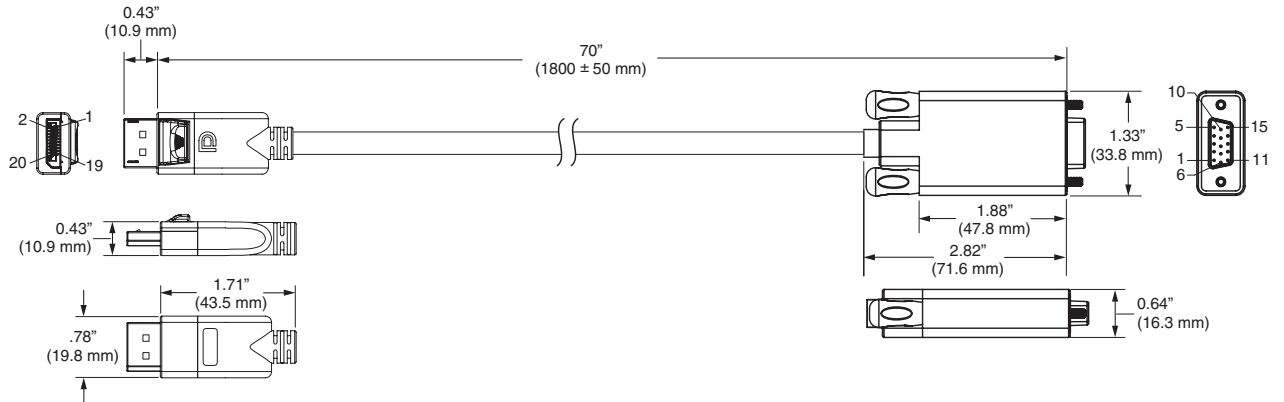
Material	
Conductor .....	Tinned copper
Drain .....	Tinned copper
Shielding .....	Tinned copper
Jacket .....	PVC
Conductor gauge.....	32 AWG
Drain gauge .....	28 AWG
Dimensions	
DisplayPort to DVI	
Cable outer diameter .....	0.29" (7.3 mm)
Bend radius .....	1.06" (27.0 mm)

# Specification • DisplayPort Adapter Cables (Continued)



## DisplayPort to VGA

Cable outer diameter ..... 0.26" (6.5 mm)  
 Bend radius ..... 0.95" (24.1 mm)



## DisplayPort to HDMI

Cable outer diameter ..... 0.26" (6.5 mm)  
 Bend radius ..... 0.95" (24.1 mm)

