



# Specifications

## Cable Cubby® 202

### General

Power output

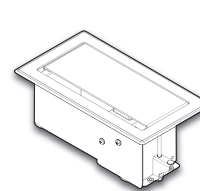
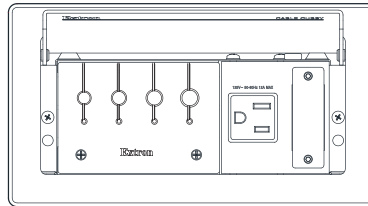
- US AC module ..... 125 VAC, 50-60 Hz, 12 A max total
- Non-US AC module..... 240 VAC, 50-60 Hz, 10 A max total

Mounting ..... Furniture mount

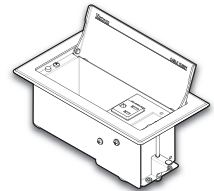
Min./max. table thickness ..... 0.25" to 1.75" (6 mm to 44 mm)

Enclosure dimensions

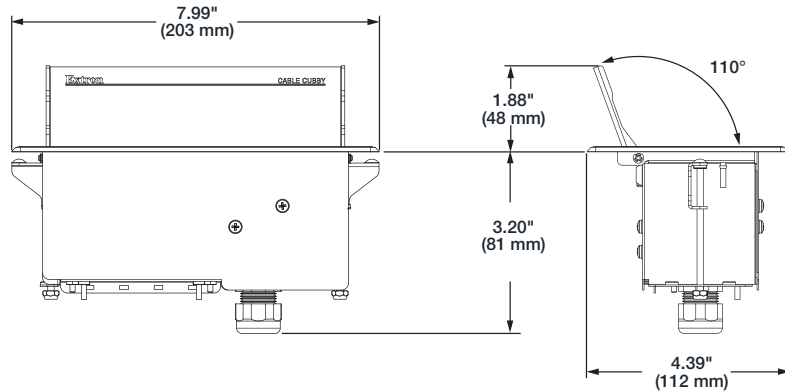
- Top plate (outer rim)..... 7.99" W x 4.39" D (203 mm W x 112 mm D)
- Surface cutout (inside rim) ..... 7.00" W x 3.25" D (178 mm W x 82 mm D)
- Enclosure depth ..... 3.20" H (81 mm H)



Lid Closed



Lid Open



Material..... Metal

Product weight

- US model ..... 2.5 lbs (1.1 kg)
- Non-US models..... 1.8 lbs (0.8 kg)

Regulatory compliance..... CE, RoHS, WEEE

US models ..... UL, c-UL

Warranty ..... 3 years parts and labor

**NOTE:** Specifications are subject to change without notice.

**NOTE:** Shipping weights and dimensions are available at [www.extron.com](http://www.extron.com).