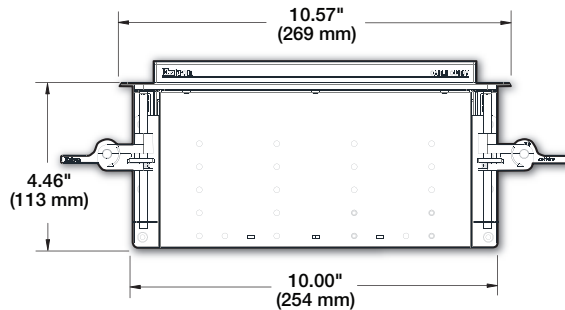


Specifications

Cable Cubby® 1202 and 1402

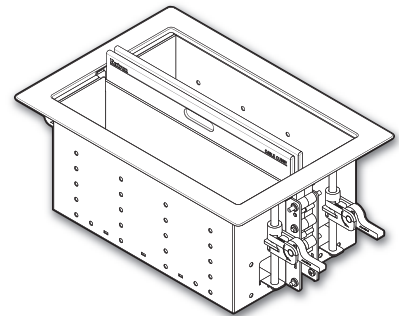
General

Power supply (optional)	
US AC module	125 VAC, 50-60 Hz, 12 A max total
Mounting	Furniture mount
Min./max. table thickness	0.50" to 2.50" (13 mm to 63 mm)
Enclosure type	Metal
Enclosure dimensions	
Cable Cubby 1202	
Top plate (outer rim)	10.57" W x 4.58" D (269 mm W x 116 mm D)
Surface cutout (inside rim) ..	10.00" W x 4.00" D (254 mm W x 102 mm D)
Enclosure depth	4.46" H (113 mm H)
Cable Cubby 1402	
Top plate (outer rim)	10.57" W x 7.42" D (269 mm W x 189 mm D)
Surface cutout (inside rim) ..	10.00" W x 6.75" D (254 mm W x 172 mm D)
Enclosure depth	4.46" H (113 mm H)

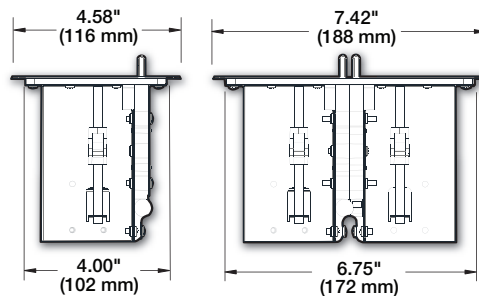


Cable Cubby 1202 and 1402

Front View



Cable Cubby 1402

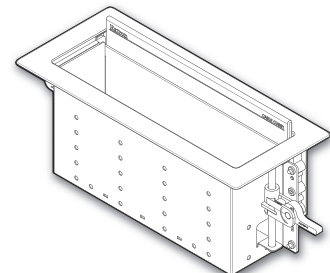


Cable Cubby 1202

Side View

Cable Cubby 1402

Side View



Cable Cubby 1202

Specifications • Cable Cubby® 1202 and 1402 (Continued)

Product weight	
Cable Cubby 1202	
Enclosure only	2.4 lbs (1.1 kg)
With AC module	4.1 lbs (1.9 kg)
Cable Cubby 1402	
Enclosure only	4.0 lbs (1.8 kg)
With AC modules.....	7.4 lbs (3.4 kg)
Regulatory compliance.....	CE, RoHS, WEEE
US configuration*	UL, c-UL
Product warranty	3 years parts and labor

NOTE: *The UL listing is only valid when the Cable Cubby contains the US AC power module.

NOTE: Specifications are subject to change without notice.

NOTE: Shipping weights and dimensions are available at www.extron.com.

4646-D3