

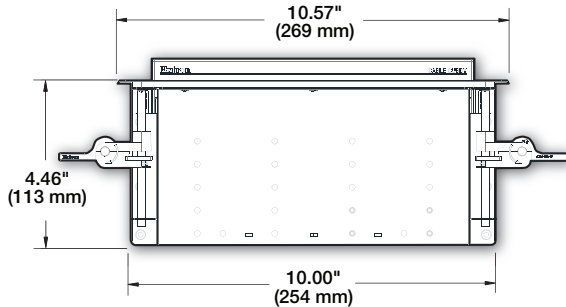


Specifications

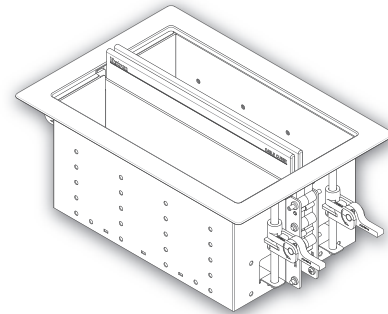
Cable Cubby® 1202 and 1402

General

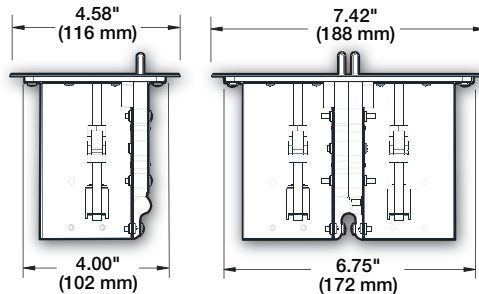
- Power supply (optional)
 - US AC module 125 VAC, 50-60 Hz, 12 A max total
- Mounting Furniture mount
- Min./max. table thickness 0.50" to 2.50" (13 mm to 63 mm)
- Enclosure type Metal
- Enclosure dimensions
 - Cable Cubby 1202
 - Top plate (outer rim) 10.57" W x 4.58" D (269 mm W x 116 mm D)
 - Surface cutout (inside rim).. 10.00" W x 4.00" D (254 mm W x 102 mm D)
 - Enclosure depth..... 4.46" H (113 mm H)
 - Cable Cubby 1402
 - Top plate (outer rim) 10.57" W x 7.42" D (269 mm W x 189 mm D)
 - Surface cutout (inside rim).. 10.00" W x 6.75" D (254 mm W x 172 mm D)
 - Enclosure depth..... 4.46" H (113 mm H)



Cable Cubby 1202 and 1402
Front View

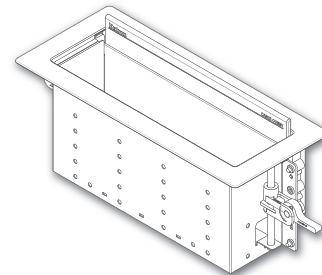


Cable Cubby 1402



Cable Cubby 1202
Side View

Cable Cubby 1402
Side View



Cable Cubby 1202

Specification • Cable Cubby® 1202 and 1402 (Continued)

Product weight	
Cable Cubby 1202	
Enclosure only	2.4 lbs (1.1 kg)
With AC module	4.1 lbs (1.9 kg)
Cable Cubby 1402	
Enclosure only	4.0 lbs (1.8 kg)
With AC modules.....	7.4 lbs (3.4 kg)
Regulatory compliance.....	CE, RoHS, WEEE
US configuration*	UL, c-UL
Warranty	3 years parts and labor

NOTE: *The UL listing is only valid when the Cable Cubby contains the US AC power module.

NOTE: Specifications are subject to change without notice.

NOTE: Shipping weights and dimensions are available at www.extron.com.

4215-D2