

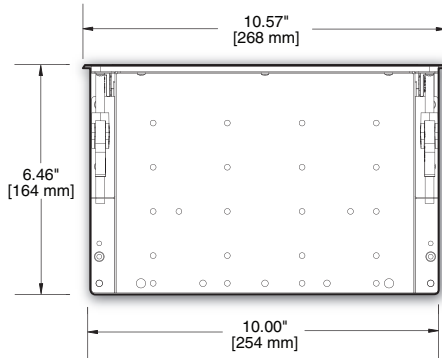


Specifications

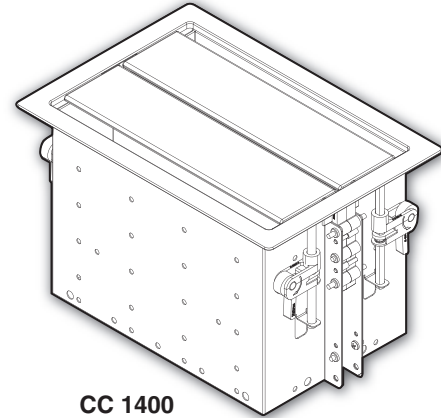
Cable Cubby® 1200 and 1400

General

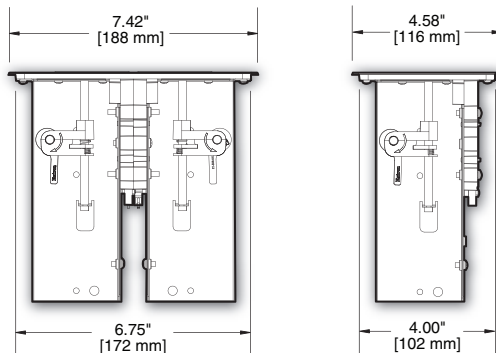
Power supply (optional)	
US AC module	125 VAC, 50-60 Hz, 12 A max total
Mounting	Furniture mount
Min./max. table thickness	0.50" to 2.50" (13 mm to 63 mm)
Enclosure type	Metal
Enclosure dimensions	
Cable Cubby 1200	
Top plate (outer rim)	10.57" W x 4.58" D (268 mm W x 116 mm D)
Surface cutout (inside rim) ..	10.00" W x 4.00" D (254 mm W x 102 mm D)
Enclosure depth	6.46" H (164 mm H)
Cable Cubby 1400	
Top plate (outer rim)	10.57" W x 7.42" D (268 mm W x 188 mm D)
Surface cutout (inside rim) ..	10.00" W x 6.75" D (254 mm W x 172 mm D)
Enclosure depth	6.46" H (164 mm H)



CC 1200 and 1400
Front View

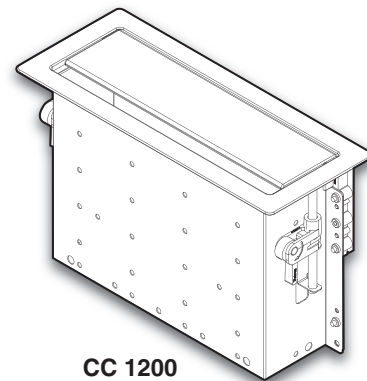


CC 1400



CC 1400
Side View

CC 1200
Side View



CC 1200

Specification • Cable Cubby® 1200 and 1400 (Continued)

Product weight	
Cable Cubby 1200	
Enclosure only	3.8 lbs (1.7 kg)
With AC module	4.7 lbs (2.1 kg)
Cable Cubby 1400	
Enclosure only	5.4 lbs (2.4kg)
With AC modules.....	7.2 lbs (3.3 kg)
Regulatory compliance.....	CE, RoHS, WEEE
US configuration*	UL, c-UL
Warranty	3 years parts and labor

NOTE: *The UL listing is only valid when the Cable Cubby contains the US AC power module.

NOTE: Specifications are subject to change without notice.

NOTE: Shipping weights and dimensions are available at www.extron.com.

4212-D4