

Specifications

Cable Cubby 650 UT

General

Mounting

Furniture mount Yes, underneath the furniture surface

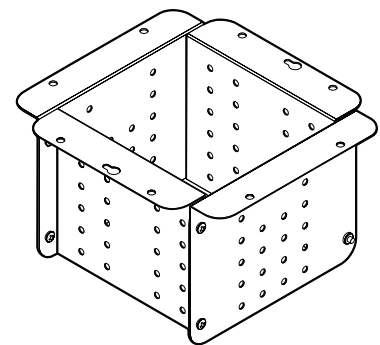
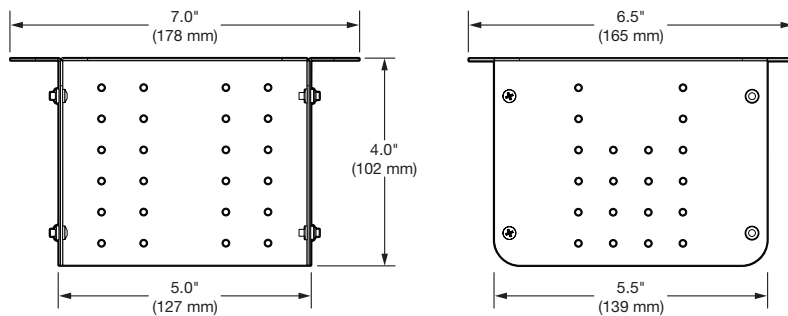
Enclosure type Metal

Enclosure dimensions

Top plate (outer rim)..... 7.0" L x 6.5" W (178 mm L x 165 mm W)

Surface cutout (inside rim) 5.0" L x 4.25" W (127 mm L x 108 mm W)

Enclosure depth 4.0" H (102 mm H)



Cable Cubby 650UT

Product weight 1.0 lb (0.5kg)

Vibration ISTA 1A in carton (International Safe Transit Association)

Regulatory compliance

Safety c-UL*, UL*, CE

Environmental..... Complies with the appropriate requirements of RoHS

Warranty 3 years parts and labor

NOTE: Specifications are subject to change without notice.

NOTE: * The UL listing for this product is only valid when the Cable Cubby contains the US AC power module.

NOTE: Shipping weights and dimensions are available at www.extron.com.

063017_D1