

## Specifications

### Cable Cubby® 100

#### Contact closure – switch kit only

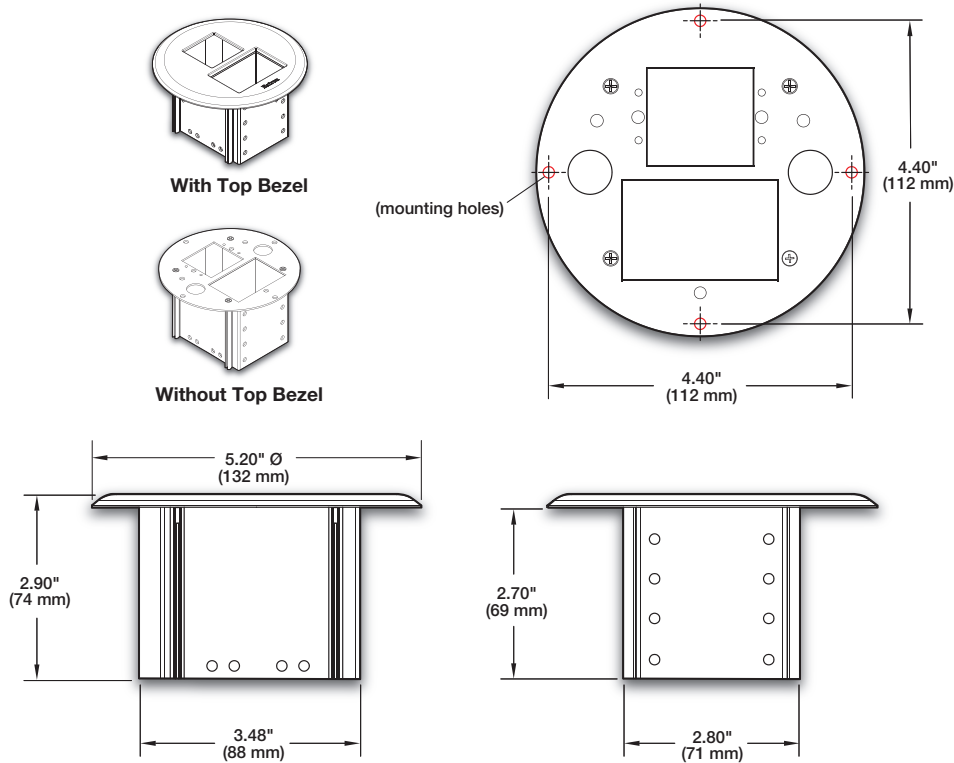
|                        |   |
|------------------------|---|
| Quantity/type .....    | (1) normally-open single pole, single throw switch                |
| Connectors .....       | (1) 4 pole, 3.5 mm captive screw connector on 4" (102 mm) pigtail |
| Contact rating .....   | 2 A @ 36 VDC, 1 A @ 125 VAC                                       |
| LED voltage input..... | 5 VDC   |
| LED color .....        | Blue  |

**NOTE:** See the *Cable Cubby 100 Switch Kit Installation Guide* for details.

#### General

|                                   |  |
|-----------------------------------|--|
| Power output                      |  |
| US AC Power Model .....           | 125 VAC, 50-60 Hz, 6 A max                                       |
| Non-US AC Power Model.....        | 240 VAC, 50-60 Hz, 10 A max                                      |
| USB power model .....             | 5 VDC, up to 2.4 A on a single port and up to 3.0 A total shared |
| Power supply                      |  |
| USB power model .....             | External   |
|                                   | Input: 100-240 VAC, 50-60 Hz                                     |
|                                   | Output: 12 VDC, 1.5 A, 18 watts                                  |
| Power consumption                 |  |
| USB power model                   |  |
| Device .....                      | 17.1 watts   |
| Device and power supply...        | 19.5 watts   |
| Thermal dissipation               |  |
| USB power model                   |  |
| Device .....                      | 8.1 BTU/hr   |
| Device and power supply...        | 16.3 BTU/hr  |
| Mounting                          |  |
| Furniture mount .....             | Yes, mounts on top of furniture surface                          |
| Enclosure type .....              | Metal enclosure, plastic top bezel                               |
| Enclosure dimensions              |  |
| Top bezel plate (outer rim).....  | 5.20" (132 mm) diameter circle                                   |
| Surface cutout (inside rim) ..... | 4.00" (102 mm) diameter circle                                   |
| Enclosure (under surface) .....   | 2.70" H x 2.80" W x 3.48" L (69 mm H x 71 mm W x 88 mm L)        |

# Specification • Cable Cubby® 100 (Continued)



**Product weight**

|                             |                  |
|-----------------------------|------------------|
| Enclosure only .....        | 1.0 lbs (0.5 kg) |
| With US AC Module .....     | 2.0 lbs (0.9 kg) |
| With Non-US AC Module.....  | 1.3 lbs (0.6 kg) |
| With USB power module ..... | 1.5 lbs (0.7 kg) |
| Switch kit only .....       | 0.2 lbs (0.9 kg) |

**Regulatory compliance**

|                           |   |
|---------------------------|---|
| All models.....           | RoHS, WEEE                                  |
| US and USB models .....   | c-UL, UL                                    |
| USB power model only..... | CE, C-tick, FCC Class A, ICES, VCCI Class A |

Everlast power supply warranty..... 7 years parts and labor

Product warranty .....

**NOTE:** Specifications are subject to change without notice.

**NOTE:** Shipping weights and dimensions are available at [www.extron.com](http://www.extron.com).

4189-D5