

## Specifications

### ACP VC1 MK Control Panel

#### ACP Control Interface

ACP control ports .....	(2) 3.5 mm captive screw connectors, 4 pole
ACP pin configuration .....	+V = +12 VDC; +S = + signal; -S = - signal; G = ground
Recommended cable type.....	Extron STP20-2/1000 or STP20-2P/1000 cable

#### Software Configuration

Software .....	Extron DSP Configurator
----------------	-------------------------

#### General

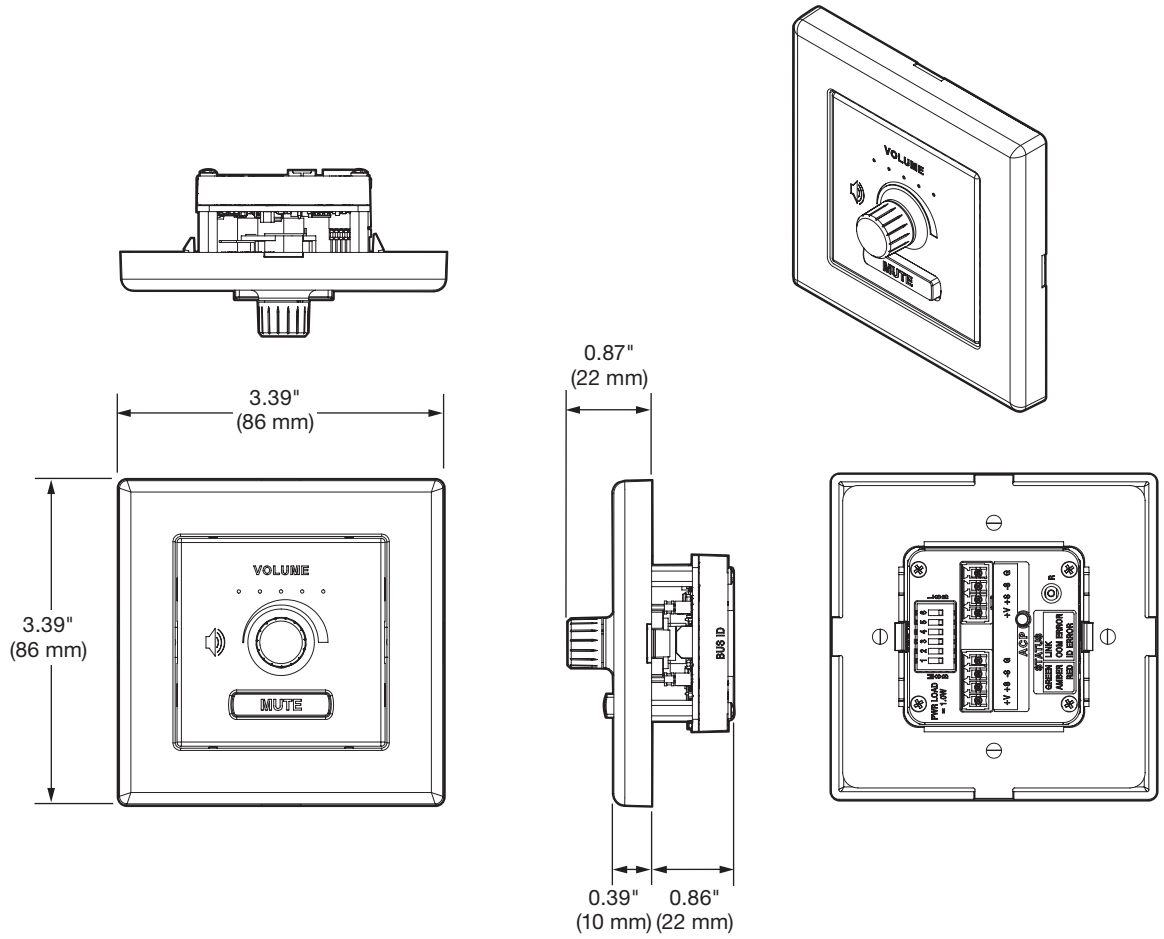
Power .....	Power is supplied by and ACP processor or optional power supply
ACP power consumption.....	1.0 watts, 12 VDC (device only)
Temperature/humidity .....	Storage: -40 to +158 °F (-40 to +70 °C) / 10% to 90%, noncondensing Operating: +32 to +122 °F (0 to +50 °C) / 10% to 90%, noncondensing
Cooling .....	Convection, no vents
Thermal dissipation .....	2.5 BTU/hr
Mounting	
Rack mount.....	No
Furniture or wall mount.....	Yes, in a standard 1-gang MK electrical junction box
Enclosure type .....	Plastic faceplate, metal mounting plate
Enclosure dimensions	
Plastic faceplate .....	3.4" H x 3.4" W x 0.4" D (8.6 cm x 8.6 cm x 1 cm)
Metal mounting plate.....	3.4" H x 3.4" W x 0.9" D (8.5 cm x 8.5 cm x 2.2 cm) (Fits the opening in a 1-gang MK wallplate)
Device.....	1.8" H x 1.8" W x 0.9" D (4.6 cm x 4.6 cm x 2.2 cm) (Depth excludes faceplate and buttons)
Device and captive screw .....	1.8" H x 1.8" W x 1.2" D (4.6 cm x 4.6 cm x 3.1 cm)
Product weight .....	0.2 lbs (0.1 kg)
Regulatory compliance.....	CE, c-UL, C-tick, FCC Class A, ICES, RoHS,&nbsp;UL, VCCI Class A, WEEE, Section 508 of the Rehabilitation Act (29 U.S.C. 964d)
Product warranty .....	3 years parts and labor

**NOTE:** All nominal levels are at ±10%.

**NOTE:** Specifications are subject to change without notice.

**NOTE:** Shipping weights and dimensions are available at [www.extron.com](http://www.extron.com).

# Specifications • ACP VC1 MK Control Panel (Continued)



4595-D1