

Specifications

ACP VC1 EU Control Panel

ACP Control Interface

ACP control ports	(2) 3.5 mm captive screw connectors, 4 pole
ACP pin configuration	+V = +12 VDC; +S = + signal; -S = - signal; G = ground
Recommended cable type.....	Extron STP20-2/1000 or STP20-2P/1000 cable

Software Configuration

Software	Extron DSP Configurator
----------------	-------------------------

General

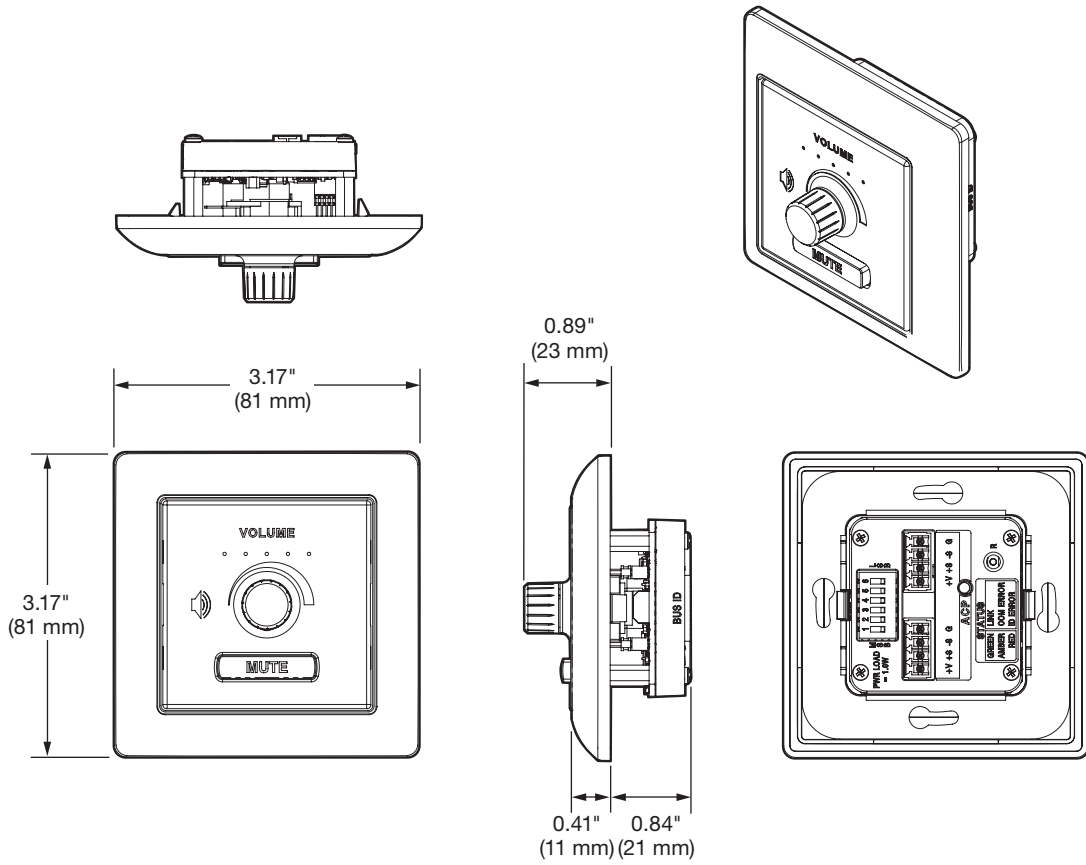
Power	Power is supplied by an ACP enabled processor or optional power supply
ACP power consumption.....	1.0 watts, 12 VDC (device only)
Temperature/humidity	Storage: -40 to +158 °F (-40 to +70 °C) / 10% to 90%, noncondensing Operating: +32 to +122 °F (0 to +50 °C) / 10% to 90%, noncondensing
Cooling	Convection, no vents
Thermal dissipation	2.5 BTU/hr
Mounting	
Rack mount.....	No
Furniture or wall mount.....	Yes, in a standard 1-gang EU electrical junction box
Enclosure type	Plastic faceplate, metal mounting plate
Enclosure dimensions	
Plastic faceplate	3.2" H x 3.2" W x 0.4" D (8.1 cm x 8.1 cm x 1 cm)
Metal mounting plate.....	2.8" H x 2.8" W x 0.9" D (7.1 cm x 7.1 cm x 2.3 cm) (Fits the opening in a 1-gang EU wallplate)
Device.....	1.8" H x 1.8" W x 0.9" D (4.6 cm x 4.6 cm x 2.3 cm) (Depth excludes faceplate and buttons)
Device and captive screw	1.8" H x 1.8" W x 1.3" D (4.6 cm x 4.6 cm x 3.2 cm)
Product weight	0.2 lbs (0.1 kg)
Regulatory compliance.....	CE, c-UL, C-tick, FCC Class A, ICES, RoHS, UL, VCCI Class A, WEEE, Section 508 of the Rehabilitation Act (29 U.S.C. 964d)
Product warranty	3 years parts and labor

NOTE: All nominal levels are at $\pm 10\%$.

NOTE: Specifications are subject to change without notice.

NOTE: Shipping weights and dimensions are available at www.extron.com.

Specifications • ACP VC1 EU Control Panel (Continued)



4596-D1