



# Specifications

## AC 100 Power Module Series for Cable Cubby Series/2

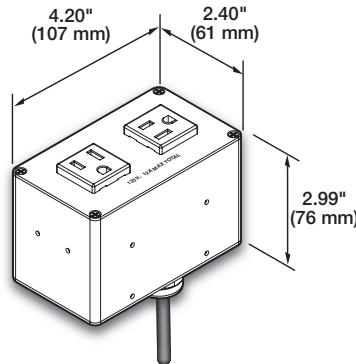
### General

Power output	
US and JP models .....	125 VAC, 50-60 Hz, 12A max total
All other models.....	240 VAC, 50-60 Hz, 10A max total
Temperature/humidity .....	Storage: -40 to +158 °F (-40 to +70 °C) / 10% to 90%, noncondensing Operating: +32 to +122 °F (0 to +50 °C) / 10% to 90%, noncondensing
Mounting .....	Mountable into Cable Cubby Series/2 enclosures
Enclosure type .....	Cold-rolled steel (face panel), extruded aluminum (body)
Enclosure dimensions .....	2.40" H x 4.20" W x 2.99" D (61 mm H x 107 mm W x 76 mm D)

**For US and JP AC cord models:** Allow an additional 2.50" (64 mm) depth to account for the attached AC power cord bend radius.

**For US AC conduit model:** Allow an additional 5.00" (127 mm) depth to account for the attached flexible conduit bend radius.

**For all other models:** Total allowable depth is dependent upon the detachable AC power cord being used. Cable bend radius can vary.



Product weight	
US and JP AC cord models.....	1.7 lbs (0.8 kg)
US AC conduit model.....	1.9 lbs (0.9 kg)
All other models.....	0.8 lbs (0.4 kg)
Regulatory compliance.....	CE, RoHS, WEEE
US models .....	UL, c-UL
JP model.....	PSE
Warranty .....	3 years parts and labor

**NOTE:** Specifications are subject to change without notice.

**NOTE:** Shipping weights and dimensions are available at [www.extron.com](http://www.extron.com).