

Specifications — ZipClip™ 200 and ZipCaddy™ 200 Kit

General

Mounting

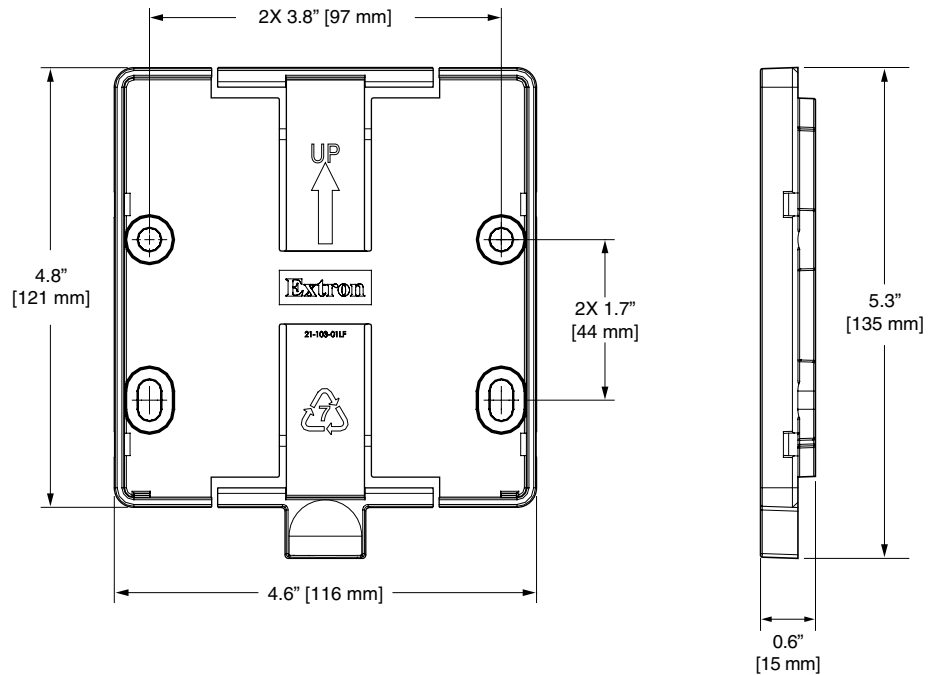
Rack mount Yes, with required hardware

Furniture mount Yes, with included hardware

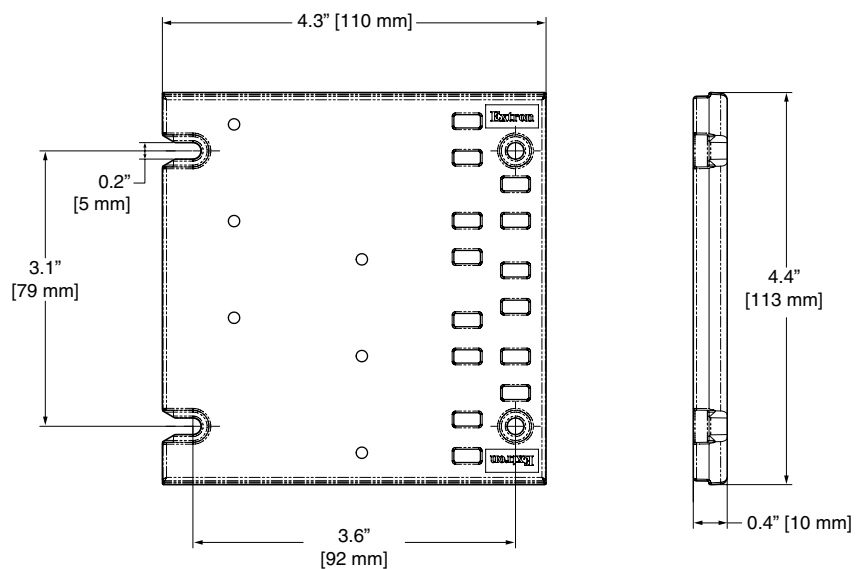
Enclosure type High impact plastic

Enclosure dimensions

ZipClip 200 5.3" H x 4.6" W x 0.6" D
(13.5 cm H x 11.6 cm W x 1.5 cm D)



ZipCaddy 200 4.4" H x 4.3" W x 0.4" D (mounts quarter rack or one-eighth rack wide, 3" deep products)
(11.3 cm H x 11.0 cm W x 1.0 cm D)



Product weight 0.3 lbs (0.1 kg) per each clip and plate pair
2.8 lbs (1.3 kg) per 10-pack

Shipping weight 3 lbs (2 kg) per 10-pack

Specifications — ZipClip™ 200 and ZipCaddy™ 200 Kit, cont'd

Vibration..... ISTA 1A in carton (International Safe Transit Association)

Warranty..... 3 years parts and labor

NOTE *Specifications are subject to change without notice.*

7.6-052808-D3