

Specifications — ZipClip™ 100

General

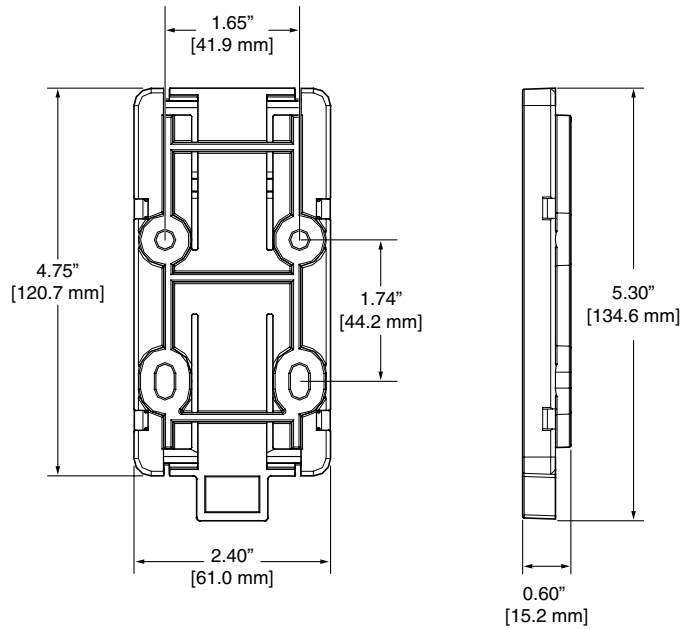
Mounting

- Rack mount Yes, with required hardware
- Furniture mount Yes, with included hardware

Enclosure type High impact plastic

Enclosure dimensions

ZipClip 100 5.3" H x 2.4" W x 0.6" D (fits one-eighth rack wide, 3" deep products)
(13.5 cm H x 6.1 cm W x 1.5 cm D)



Product weight 0.1 lbs (<0.1 kg) per clip, 1.5 lbs (0.5 kg) per 10-pack

Shipping weight 2 lbs (1 kg) per 10-pack

Vibration ISTA 1A in carton (International Safe Transit Association)

Regulatory compliance

Environmental Complies with the appropriate requirements of RoHS, WEEE.

Warranty 3 years parts and labor

NOTE Specifications are subject to change without notice.

7.6-051908-D2