

Specifications

WPD 110, WPD 120, WPD 130 Series

General

Mounting

Furniture or wall mount Yes, with standard Decora®-style wall plate

Enclosure type Plastic

Connector type

WPD 110 1 female HDMI to 1 female HDMI on a pigtail cable

WPD 110 A 1 female HDMI to 1 female HDMI on a pigtail cable
1 female 3.5 mm audio TRS jack to solder tabs

(1) 3.5 mm captive screw connector, 3 pole to 3.5 mm captive screw connector, 3 pole

WPD 120 A 1 female DisplayPort to 1 female DisplayPort on a pigtail cable

1 female 3.5 mm audio TRS jack to solder tabs

(1) 3.5 mm captive screw connector, 3 pole to 3.5 mm captive screw connector, 3 pole

WPD 130 A 1 female DVI to 1 female DVI on a pigtail cable

1 female 3.5 mm audio TRS jack to solder tabs

(1) 3.5 mm captive screw connector, 3 pole to 3.5 mm captive screw connector, 3 pole

Enclosure dimensions All models

Faceplate 2.6" H x 1.3" W x 0.3" D (6.6 cm H* x 3.3 cm W x 0.6 cm D)

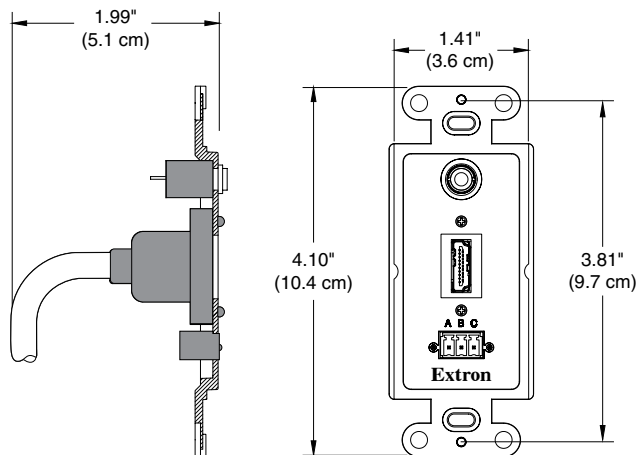
(Depth excludes connectors. Fits the opening in a 1 gang Decora®-style wallplate.)

*Overall height is 4.1" (10.4 cm) including mounting tabs. Mounting holes are 3.8" [9.5 cm] apart on center.

Enclosure/connector 0.5" H x 0.8" W x 12.75 ±0.5" L (1.2 cm H x 2.0 cm W x 32.4 ±1.3 cm L)

(Length excludes front screws but includes connectors and cable.)

Allow at least 2.0" (5.1 cm) depth for connector and cable bend radius.



WPD 110 A

CAUTION: Do not bend cable beyond the recommended depth.

Product weight 0.1 lb (<0.1 kg)

Shipping weight 1 lb (1 kg)

Vibration ISTA 1A in carton (International Safe Transit Association)

Regulatory compliance

Environmental..... Complies with the appropriate requirements of RoHS, WEEE
Warranty..... 3 years parts and labor

NOTE: Specifications are subject to change without notice.

8.0-030311-D3