

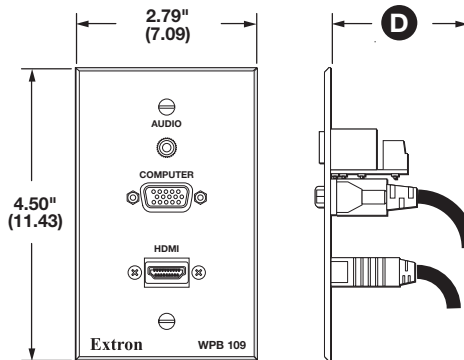
Specifications

WPB 109

TRUE 4K

General

Mounting	Surface mount, Extron EWB or SMB 110 Series
Enclosure type	Metal
Connector type	1 female HDMI to 1 female HDMI on a pigtail cable 1 female VGA to 1 female VGA on a pigtail cable 1 female 3.5 mm stereo audio jack to captive screw connector
Resolution range	HDMI cable: Up to 4K @ 60 Hz (4096x2160) or UHD @ 60 Hz (3840x2160) 8 bit color depth, max. 18.0 Gbps data rate
Enclosure dimensions	
Faceplate	4.5" H x 2.8" W x 1.6" D (1 gang) (11.4 cm H x 7.1 cm W x 4.1 cm D)
Enclosure/connectors	Allow 2.25" (5.7 cm) depth for cable management.



D Depths, Including Bend Radius:

Cable	Depth Required (Inch/cm)	Total Cable Length (Inch/cm)
HDMI	1.97 / 5.00	12.75 / 32.38
VGA	2.15 / 5.46	9.00 / 22.86

ATTENTION: Do not bend cable beyond the recommended depth.

Product weight	0.2 lb (0.1 kg)
Vibration	ISTA 1A in carton (International Safe Transit Association)
Regulatory compliance	
Environmental	Complies with the appropriate requirements of RoHS, WEEE
Warranty	3 years parts and labor

NOTE: Specifications are subject to change without notice.

NOTE: Shipping weights and dimensions are available at www.extron.com.