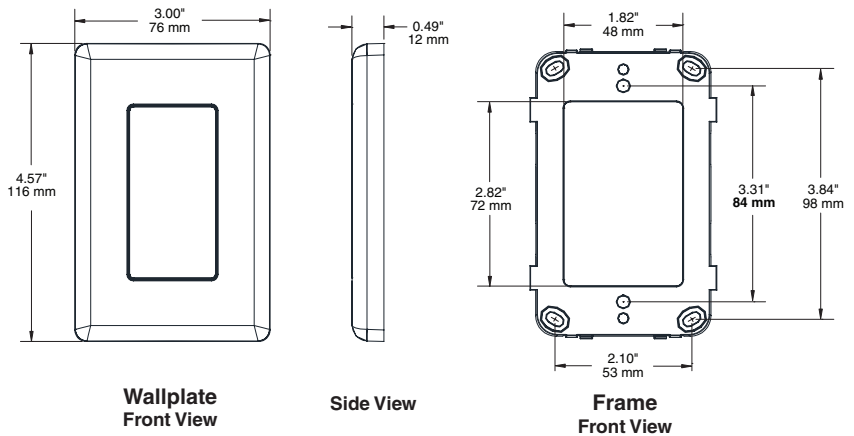


# Specifications

## WPA 100 AUS

### General

- Mounting ..... Mounts into Clipsal®-compatible wall boxes, brackets, and clips with 84 mm mounting centers
- Material ..... Plastic
- Dimensions ..... **Wallplate:**  
4.57" H x 3.00" W x 0.49" D  
(116 mm H x 76 mm W x 12 mm D)  
(Opening fits a single-gang decorator-style module)



- Product weight ..... 0.1 lb (.04 kg)
- Vibration ..... ISTA 1A in carton (International Safe Transit Association)
- Regulatory compliance  
Environmental ..... Complies with the appropriate requirements of RoHS, WEEE
- Warranty ..... 3 years parts and labor

**NOTE:** Specifications are subject to change without notice.

**NOTE:** Shipping weights and dimensions are available at [www.extron.com](http://www.extron.com).

4013-041817-D2