

Specifications

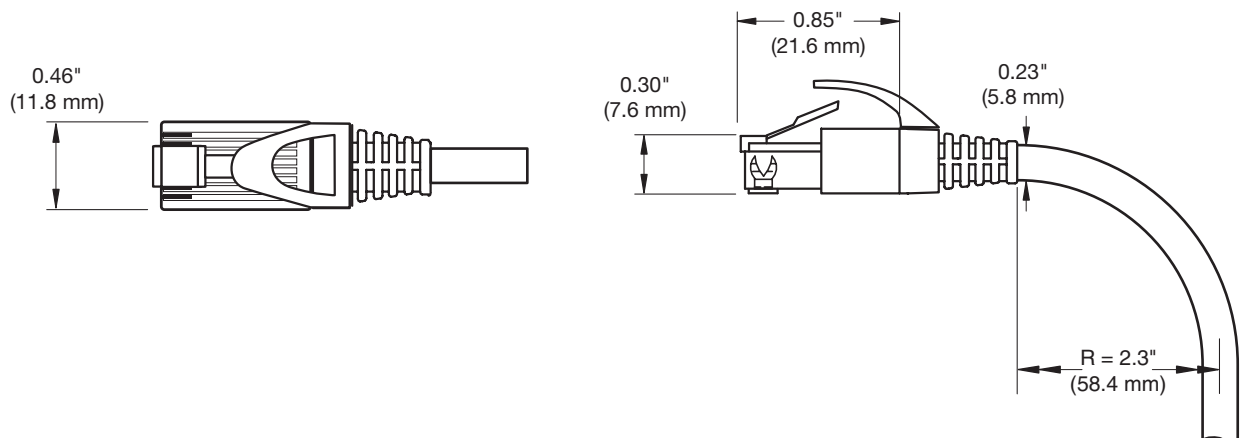
Ultra Flex STP CAT 6 Cable

Performance/electrical

Standards	CAT 6
Voltage.....	30 VDC
Pair impedance.....	100 ohms \pm 15 ohms
Skew	\leq 45 ns per 100 m
DCR.....	45.7 ohms/1000 ft. (150 ohms/Km)
Nominal Velocity of Propagation.....	50 %
Capacitance	30 pF/ft (100 pF/ m)
Attenuation	17.5 dB/100 ft. (0.3~100 MHz) 42.3 dB/100 foot (100~500 MHz)
NEXT	40 dB/100 foot (0.3~100 MHz) 30 dB/100 foot (100~500 MHz)
Return Loss	15 dB/100 foot (0.3~100 MHz) 10 dB/100 foot (100~500 MHz)

General – physical characteristics

Connector type.....	1 male shielded RJ-45 to 1 male shielded RJ-45
Contacts.....	Gold plated
Material.....	Conductors: stranded tinned copper Shield: tinned copper Jacket: dark gray PVC
Conductors.....	8 insulated
Conductor gauge.....	26 AWG (19x38 AWG)
Cable nominal OD.....	0.23" (5.8 mm)
Bend radius	2.3" (58 mm)



Regulatory compliance

Safety.....	UL 20276, UL VW-1, UL 758 AWM
Temperature rating.....	80° C

NOTE: Dimensions given above exclude the cable length.

NOTE: Specifications are subject to change without notice.