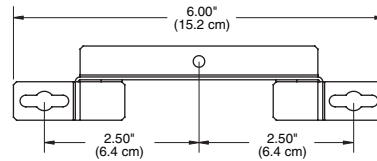


## Specifications

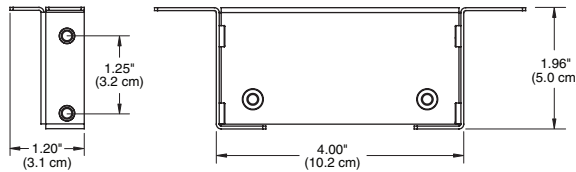
### UTM 100 Series

#### General

Mounting .....	Mountable under furniture surface
Maximum load capacity .....	30 lbs (13.6 kg) total system weight (includes UTM brackets and mounted products)
Material .....	Steel
Enclosure dimensions	
UTM 100 .....	1.96" H x 1.20" W x 6.00" D (5.0 cm H x 3.1 cm W x 15.2 cm D)



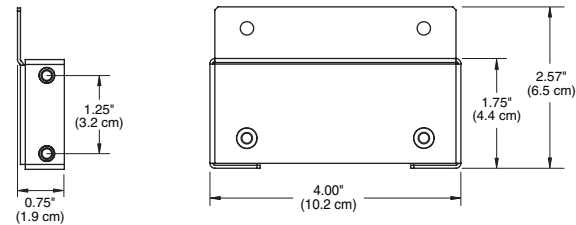
Top View



Front View

Side View

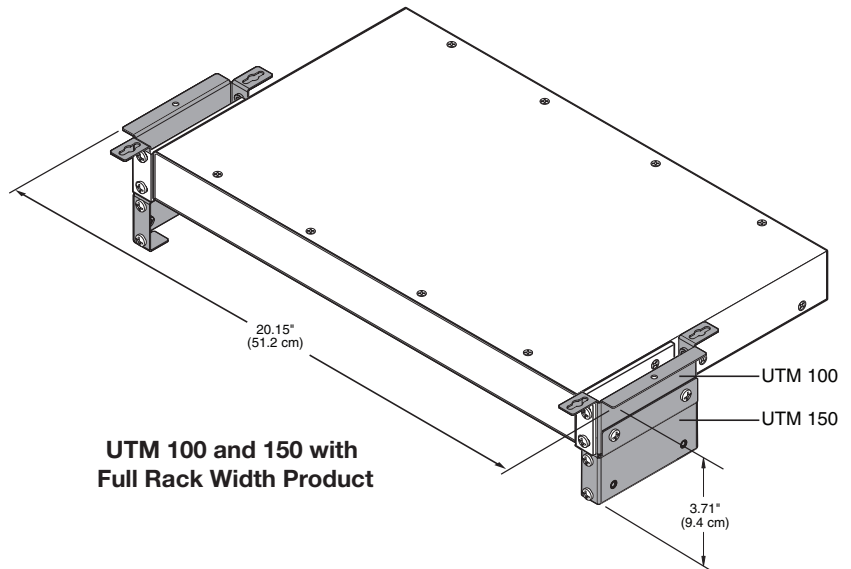
UTM 150 .....	2.57" H x 0.75" W x 4.00" D (6.5 cm H x 1.9 cm W x 10.2 cm D)
---------------	--



Front View

Side View

## Specification • UTM 100 Series (Continued)



**NOTE:** Add 1.75 inches for every additional UTM 150 in the mounting system.

Product weight

UTM 100 .....	0.4 lbs (0.2 kg)
UTM 150 .....	0.5 lbs (0.2 kg)

Vibration ..... ISTA 1A in carton (International Safe Transit Association)

Regulatory compliance

Environmental..... Complies with the appropriate requirements of CE, RoHS and WEEE

Warranty ..... Limited Lifetime Performance

**NOTE:** Specifications are subject to change without notice.

**NOTE:** Shipping dimensions and weights are available at [www.extron.com](http://www.extron.com).

4302-D2