

# Specifications

## USFM 100

### General

#### Mounting

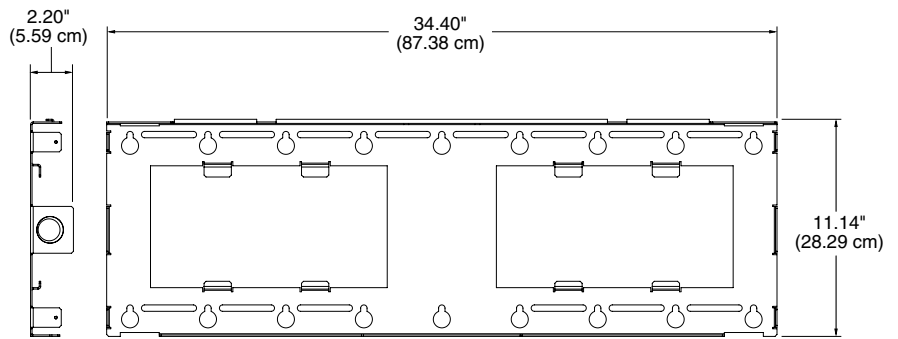
Wall mount..... Yes, with included hardware

Maximum projector load capacity... 20 lbs (9.1 kg) projector weight (does not include the UPB 25)

Material ..... Steel (structural parts), plastic (covers), aluminum (boom arm covers)

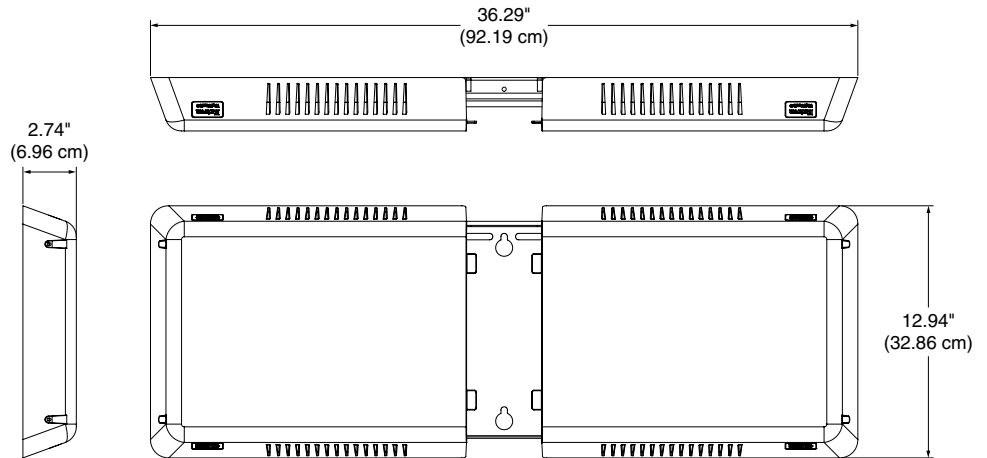
#### Dimensions

Base plate ..... 11.1" H x 34.4" W x 2.2" D  
(28.3 cm H x 87.4 cm W x 5.6 cm D)



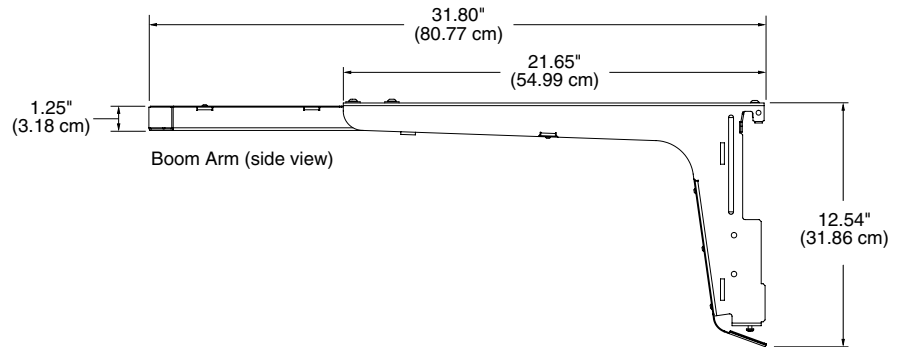
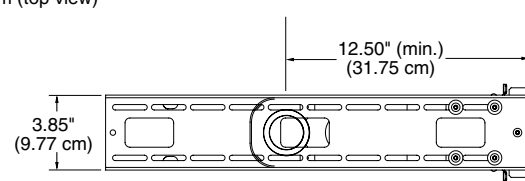
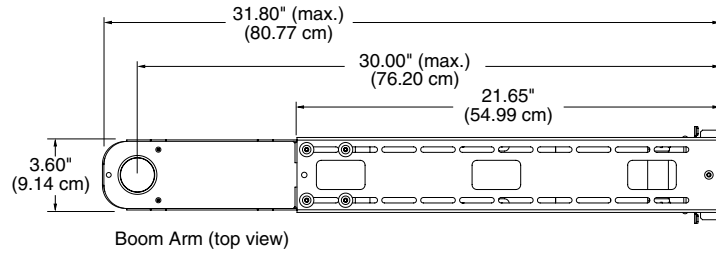
Base Plate (front view)

Base plate with covers ..... 12.9" H x 36.3" W x 2.7" D  
(32.9 cm H x 92.2 cm W x 7.0 cm D)



Base Plate with Covers

Boom arm ..... 12.5" H x 3.6" W x 21.7 - 31.8" D  
 (31.9 cm H x 9.1 cm W x 55.0 - 80.8 cm D)  
 Boom extension range ..... 17.5" (44.4 cm)



Product weight..... 17 lbs (7.7 kg)  
 Shipping weight..... 25 lbs (12 kg)  
 Vibration..... ISTA 1A in carton (International Safe Transit Association)

**NOTE:** Weights exclude the UPB 25.

Regulatory compliance

Safety ..... c-UL, UL

Warranty..... 3 years parts and labor

**NOTE:** Specifications are subject to change without notice.

8.0-050411-D3