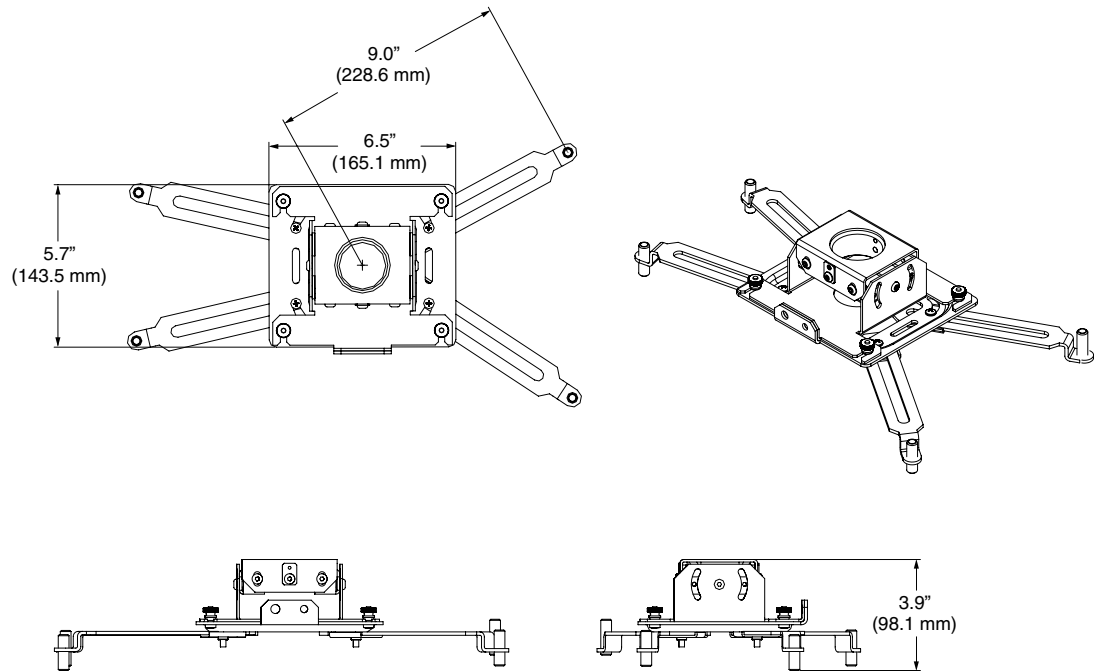


Specifications

UPB 25

General

Adjustment ranges.....	The UPB 25 can be angled within the following ranges to level the projector: ±4° roll ±25° pitch 360° yaw
Maximum load capacity.....	25 lbs (11.3 kg)
Enclosure type.....	Steel
Projector bracket dimensions.....	3.9" H x 6.5" W x 5.7" D (8.8 cm H x 16.5 cm W x 14.4 cm D) (Height and width exclude legs/feet.)



NOTE: The UPB 25 accepts a 1.5" diameter (o.d.), 11.5NPT/NPS pipe.

Product weight.....	3.7 lbs (1.7 kg)
Shipping weight.....	6 lbs (3 kg)
Vibration.....	ISTA 1A in carton (International Safe Transit Association)
Regulatory compliance	
Safety.....	CE, c-UL, UL
Warranty.....	3 years parts and labor

NOTE: Specifications are subject to change without notice.

8.0-011111-D3