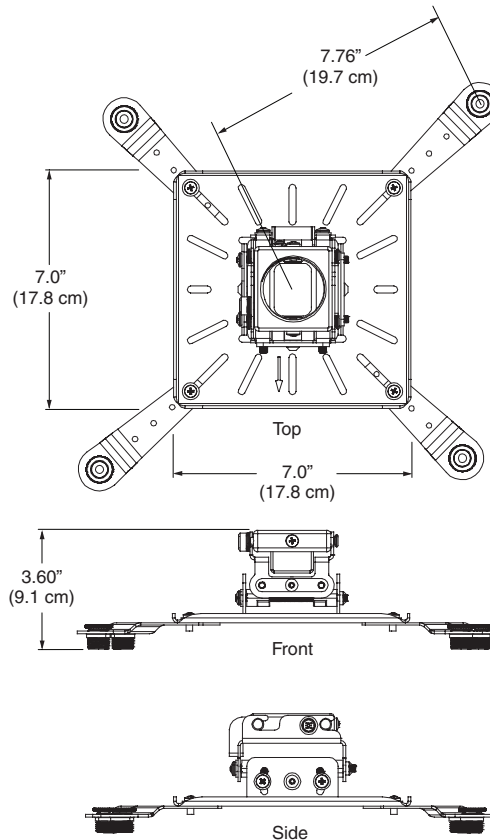


Specifications

UPB 125

General

Adjustment ranges.....	The UPB 125 can be angled within the following ranges to level the projector: ±5° roll ±20° pitch 360° yaw
Maximum load capacity	15 lbs (6.8 kg)
Enclosure type	Metal
Projector bracket dimensions.....	3.2" H x 7.0" W x 7.0" D (8.1 cm H x 17.8 cm W x 17.8 cm D) (Height and width exclude legs/feet.)
Arm radius extension.....	7.8" (19.8 cm) from corner attachment



NOTE: The UPB 125 accepts a 1.5" diameter (o.d.), 11.5 NPT/NPS pipe.

Product weight	2.7 lbs (1.2 kg)
Shipping weight	4.0 lbs (2 kg)
Vibration	ISTA 1A in carton (International Safe Transit Association)
Regulatory compliance	
Safety.....	CE, c-UL, UL
Warranty	3 years parts and labor

NOTE: Specifications are subject to change without notice.