

# Specifications

## TLP 710CV

### Display

Screen type .....	Active matrix TFT color display
Size .....	7" (17.8 cm), measured diagonally
Resolution .....	800x480
Dot/pixel pitch .....	134 dpi
Aspect ratio .....	Widescreen
Color depth .....	18 bit, 256k colors
Transparency .....	8 bit alpha channel
Brightness .....	400 nits (cd/m <sup>2</sup> )
Contrast .....	400:1
Backlight .....	High bright LED
Viewing angle .....	±70° horizontal, +60°/-70° vertical
Touch screen .....	Resistive membrane

### Memory

SDRAM .....	128 MB for graphics processing 8 MB for system use
Flash .....	32 MB for project storage 16 MB for system use

### Control — Ethernet interface

Ethernet control/communications port .....	1 RJ-45 female connector
Ethernet data rate .....	10/100Base-T, half/full duplex with autodetect
Ethernet protocol .....	ICMP, IP, TCP (control), UDP, DHCP, Telnet
Default settings .....	Link speed and duplex level: autodetected IP address = 192.168.254.254 Subnet mask = 255.255.0.0 Default gateway = 0.0.0.0 DHCP = off
Program control .....	Extron Global Configurator 3.3 or higher GUI Configurator v1.3 or higher for Windows® Extron Simple Instruction Set (SIS™) Microsoft® Internet Explorer® ver. 6 or higher, Telnet

### Control — touchpanel

Lid switch .....	On/off
Light sensor .....	On/off

### Video input — see S-video or composite video MTP transmitters or TLP VIM specifications

Number/signal type .....	1 S-video or composite video, as part of a set of proprietary signals
Connector .....	1 female RJ-45
Standards .....	NTSC, PAL

## Audio input — see S-video or composite video MTP transmitters or TLP VIM specifications

Number/signal type .....	1 stereo, balanced/unbalanced, line level, as part of a set of proprietary signals
Connector .....	1 female RJ-45 (shared with video input)

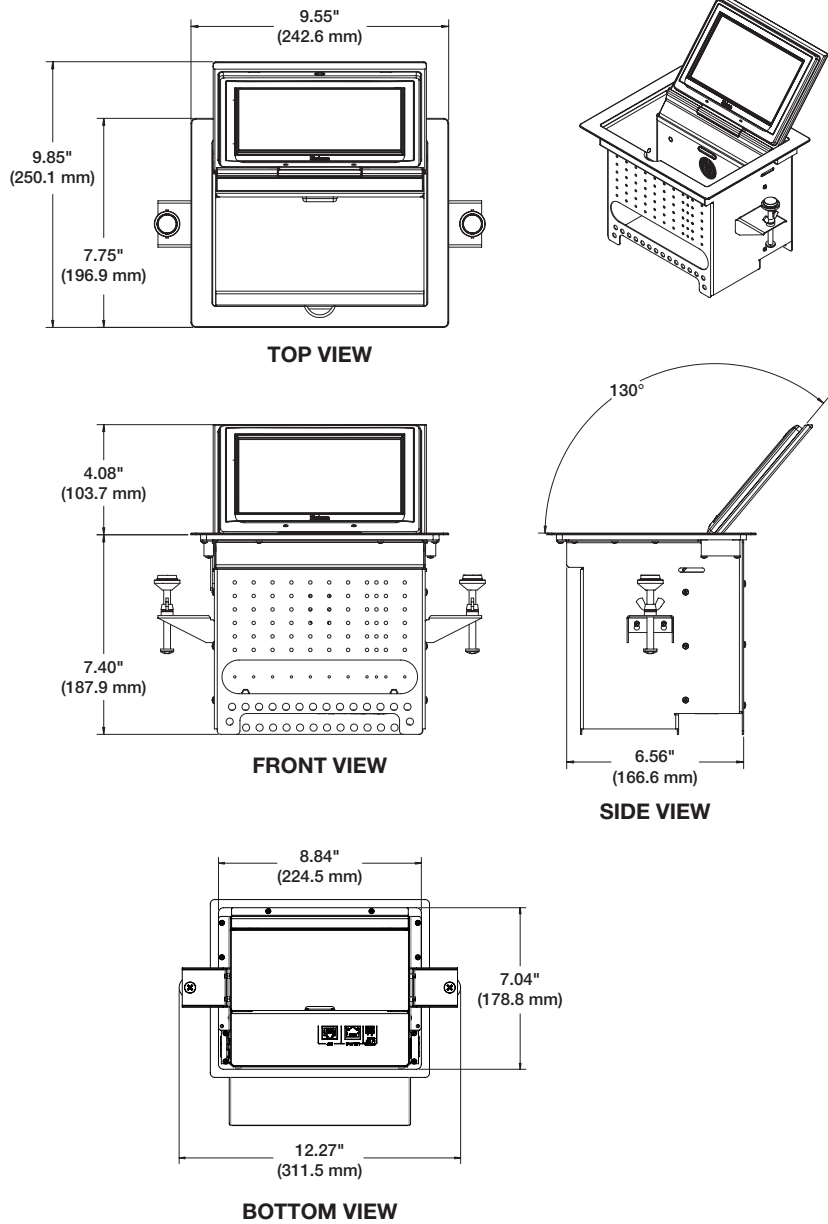
## Audio output

Speaker output .....	1 mono, 89 dB SPL, 0.1 watt, 0.1 m, half space
Frequency response .....	900 Hz to 6 kHz, $\pm 5$ dB
Playback format(s) .....	WAV files: 8 bit PCM, mono, 8 kHz sampling

## General

Power supply .....	External Input: 100-240 VAC, 50-60 Hz Output: PoE 802.3af compliant, 48 VDC, 0.35 A, 16.8 watts
Power consumption	
Device .....	9.8 watts, 48 VDC (PoE)
Device and power supply .....	13.5 watts, 120-240 VAC, 50-60 Hz
Power over Ethernet (PoE) input requirements	Complies with PoE 802.3af, class 3
Temperature/humidity .....	Storage: -22 to +158 °F (-30 to +70 °C) / 10% to 90%, noncondensing Operating: +32 to +122 °F (0 to +50 °C) / 10% to 90%, noncondensing
Cooling .....	Convection, no vents
Thermal dissipation	
Device .....	33.2 BTU/hr
Device and power supply .....	45.9 BTU/hr
Mounting	
Furniture mount .....	With included hardware
Min./max. table thickness .....	0.375" to 2.00" (0.95 cm to 5.08 cm)
Enclosure type .....	Metal

Dimensions diagram examples



**NOTE:** Architectural Adapter Plates (AAPs) shown in the diagrams above and in photographs are examples only. AAPs are optional accessories for this product. AAPs and cables must be ordered separately.

Enclosure dimensions

**CAUTION:** Use the appropriate metal Extron routing template or refer to the surface cutout dimensions here before cutting a hole in the furniture or other surface. Pay special attention to the direction the unit will face; the unit's connector access side is underlined. Extron is not responsible for miscut mounting holes.

- Top plate (outer rim) ..... 9.55" W x 7.75" D  
(24.26 cm W x 19.69 cm D)
- Surface cutout (inside rim) ..... 8.90 +0.00/-0.02" W x 7.10 +0.00/-0.02" D  
(22.61 +0.00/-0.05 cm W x 18.03 +0.00/-0.05 cm D)
- Box (under surface) ..... 7.40" H x 12.27" W (front/rear of unit) x 6.56" D *with* clamps  
(18.79 cm H x 31.15 cm W x 16.66 cm D *with* clamps)

Product weight.....	5.8 lbs (2.6 kg)
Shipping weight.....	11 lbs (5 kg)
Vibration .....	ISTA 1A in carton (International Safe Transit Association)
Regulatory compliance	
Safety .....	CE, c-UL, UL
EMI/EMC .....	CE, C-tick, FCC Class A, ICES, VCCI
Environmental.....	Complies with the appropriate requirements of RoHS and WEEE.
Warranty.....	3 years parts and labor; touchpanel display and overlay components are covered for 1 year

**NOTE:** All nominal levels are at  $\pm 10\%$ .

**NOTE:** Specifications are subject to change without notice.

8.0-101411-D2-111612