

Specifications

TLP 700TV

Display

Screen type	Active matrix TFT color display
Size	7" (17.8 cm), measured diagonally
Resolution	800x480
Dot/pixel pitch	134 dpi
Aspect ratio	Widescreen
Color depth	18 bit, 256k colors
Transparency	8 bit alpha channel
Brightness	400 nits (cd/m ²)
Contrast	300:1
Backlight	High bright LED
Viewing angle	±70° horizontal, +50°/-70° vertical
Touch screen	Resistive membrane

Memory

SDRAM	128 MB for graphics processing 8 MB for system use
Flash	32 MB for project storage 16 MB for system use

Control — Ethernet interface

Ethernet control/communications port	With base attached: 1 female RJ-45 connector Without base: 1 RJ-45 male connector on a pigtail
Ethernet data rate	10/100Base-T, half/full duplex with autodetect
Ethernet protocol	ICMP, IP, TCP (control), UDP, DHCP, Telnet
Default settings	Link speed and duplex level: autodetected IP address = 192.168.254.254 Subnet mask = 255.255.0.0 Default gateway = 0.0.0.0 DHCP = off
Program control	Extron Global Configurator 3.0 or higher GUI Configurator v1.0 or higher for Windows® Extron Simple Instruction Set (SIS™) Microsoft® Internet Explorer® ver. 6 or higher, Telnet

Control — touch screen

Motion sensor	On/off
Light sensor	On/off
External buttons	10 backlit, dual color (white, blue), field labelable

Video input — see S-video or composite video MTP transmitters' specifications

Number/signal type	1 S-video or composite video
Connectors	With base attached: 1 female RJ-45 connector Without base: 2 male BNC connectors on pigtails
Nominal levels	1 Vp-p for Y of S-video and for composite video 0.3 Vp-p for C of S-video
Impedance	75 ohms
Standards	NTSC, PAL

Audio input — see S-video or composite video MTP transmitters' specifications

NOTE: Audio input is available only from an Extron MTP transmitter through the RJ-45 connector in the unit's base. If the base is removed from the TLP 700TV, connections are via BNC connectors, and there is no audio input.

Number/signal type	1 stereo, balanced/unbalanced, line level, as part of a set of proprietary signals from an Extron MTP
Connector	1 female RJ-45 (shared with video input)

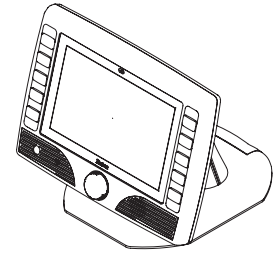
Audio output

Speaker output	1 mono, 80 dB SPL, 0.1 watt, 0.1 m, half space
Frequency response	500 Hz to 16 kHz, ± 5 dB
Playback format(s)	WAV files: 8 bit PCM, mono, 8 kHz sampling

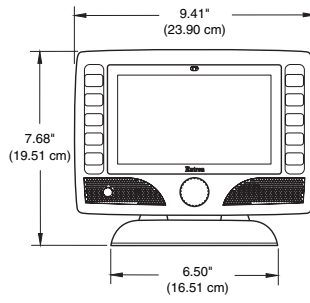
General

Power supply	External Input: 100-240 VAC, 50-60 Hz Output: 12 VDC, 1 A, 12 watts
Power input requirements	+12 VDC, 0.75 A
Temperature/humidity	Storage: -40 to +158 °F (-40 to +70 °C) / 10% to 90%, noncondensing Operating: +32 to +122 °F (0 to +50 °C) / 10% to 90%, noncondensing
Cooling	Convection, vents on top rear
Mounting	
Furniture or wall mount	Set on tabletop or mount to optional VESA D 75 mm panel mount kit
Adjustment ranges	Tilts through a 45° range
Enclosure type	Plastic

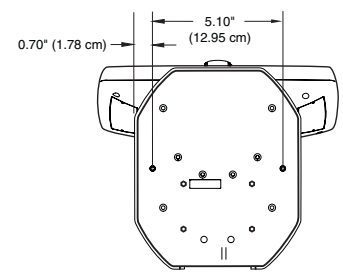
Enclosure dimensions 7.7" H* x 9.4" W x 8.2" D
 (19.6 cm H* x 23.9 cm W x 20.7 cm D)
 (*Maximum height. Includes base. Total height and depth depends on screen tilt.)



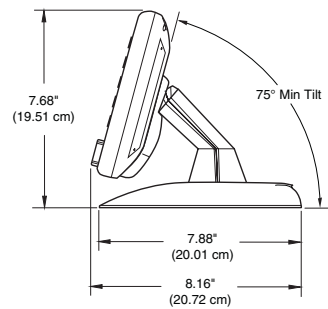
TLP 700 TV



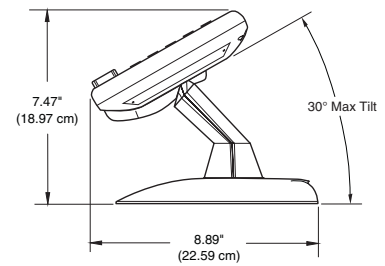
FRONT VIEW



BOTTOM VIEW



SIDE VIEW



- Product weight..... 3.8 lbs (1.7 kg)
- Shipping weight..... 7 lbs (3 kg)
- Vibration..... ISTA 1A in carton (International Safe Transit Association)
- Regulatory compliance
 - Safety CE, c-UL, UL
 - EMI/EMC CE, C-tick, FCC Class A, ICES, VCCI
 - Environmental..... Complies with the applicable requirements of RoHS and WEEE.
- Warranty..... 3 years parts and labor; touchscreen display and overlay components are covered for 1 year

NOTE: All nominal levels are at ±10%.

NOTE: Specifications are subject to change without notice.

8.0-100711-D5-111612