



# Specifications

## TLP 350CV

### Display

|                    |                                    |
|--------------------|------------------------------------|
| Screen type .....  | TFT Active matrix color display    |
| Size .....         | 3.5" (8.9 cm), measured diagonally |
| Resolution.....    | 320x240 (QVGA)                     |
| Pixel density..... | 114 PPI                            |
| Aspect ratio ..... | 4:3                                |
| Color depth.....   | 18 bit, 256k colors                |
| Transparency ..... | 8 bit                              |
| Brightness .....   | 225 nits (cd/m <sup>2</sup> )      |
| Contrast.....      | 80:1                               |
| Backlight.....     | LED                                |
| Viewing angle..... | ±50° horizontal, ±50° vertical     |
| Touch screen ..... | Resistive membrane                 |

### Memory

|            |                                                      |
|------------|------------------------------------------------------|
| SDRAM..... | 16 MB for graphics processing<br>8 MB for system use |
| Flash..... | 7 MB for project storage<br>1 MB for system use      |

### Communication

|                                |                                                                                                                                                   |
|--------------------------------|---------------------------------------------------------------------------------------------------------------------------------------------------|
| Ethernet interface             |                                                                                                                                                   |
| Control/communications port .. | 1 female RJ-45 connector                                                                                                                          |
| Data rate .....                | 10/100Base-T, half/full duplex with autodetect                                                                                                    |
| Protocols.....                 | ICMP, IP, TCP (control), UDP, DHCP, Telnet                                                                                                        |
| Default settings.....          | Link speed and duplex level: autodetected<br>IP address = 192.168.254.254<br>Subnet mask = 255.255.0.0<br>Default gateway = 0.0.0.0<br>DHCP = off |

### Software

|                              |                                                                                                                  |
|------------------------------|------------------------------------------------------------------------------------------------------------------|
| Configuration software ..... | Extron Global Configurator 3.0 or higher<br>GUI Configurator v1.0.1 or higher for Windows®                       |
| Program Control .....        | Extron Simple Instruction Set (SIS™)<br>Extron Control<br>Microsoft® Internet Explorer® ver. 6 or higher, Telnet |

### Control – touchpanel

|                       |                          |
|-----------------------|--------------------------|
| Lid switch .....      | On/off                   |
| Light sensor.....     | Auto/manual              |
| External buttons..... | 10 backlit, customizable |

### Video input – preview input

|                         |                                                                              |
|-------------------------|------------------------------------------------------------------------------|
| Number/signal type..... | 1 S-video or composite video                                                 |
| Connectors.....         | 2 female BNC                                                                 |
| Nominal levels.....     | 1 Vp-p for Y of S-video and for composite video<br>0.3 Vp-p for C of S-video |
| Impedance.....          | 75 ohms                                                                      |
| Standards .....         | NTSC, PAL                                                                    |

## Specification • TLP 350CV (Continued)

### Audio output

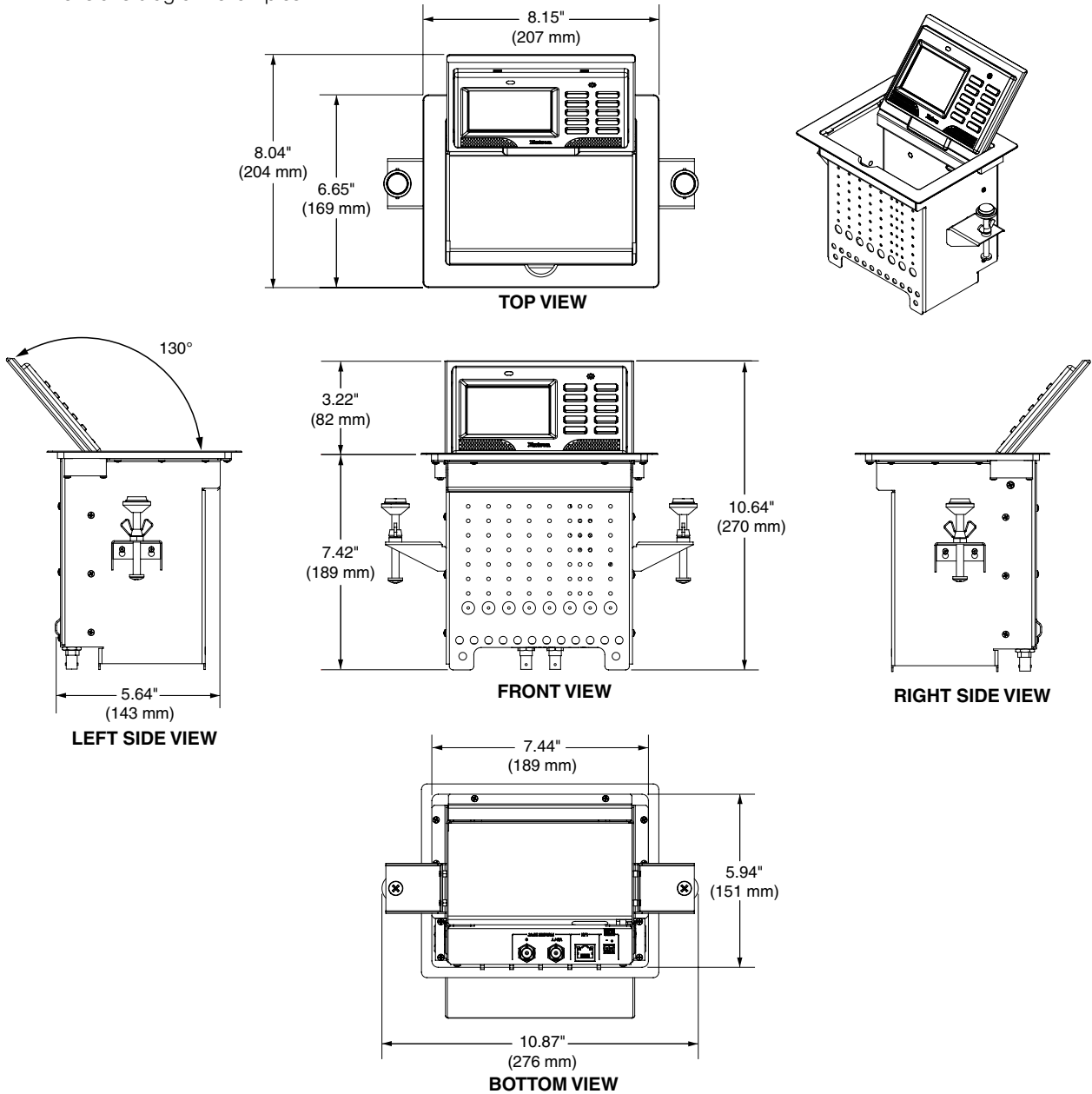
|                          |                                                |
|--------------------------|------------------------------------------------|
| Speaker output .....     | 1 mono, 89 dB SPL, 0.1 watt, 0.1 m, half space |
| Frequency response ..... | 900 Hz to 6 kHz, $\pm 5$ dB                    |
| Playback format(s) ..... | WAV files: 8 bit PCM, mono, 8 kHz sampling     |

### General

|                                                       |                                                                     |
|-------------------------------------------------------|---------------------------------------------------------------------|
| Power supply .....                                    | External                                                            |
|                                                       | Input: 100-240 VAC, 50-60 Hz                                        |
|                                                       | Output 12 VDC, 1A, 12 watts                                         |
| Power input requirements .....                        | 12 VDC, 0.75 A                                                      |
| Power consumption — 12 VDC power supply (PS 1210 C)   |                                                                     |
| Device .....                                          | 4.6 watts                                                           |
| Device and power supply .....                         | 5.9 watts                                                           |
| Temperature/humidity .....                            | Storage: -13 to +158 °F (-25 to +70 °C) / 10% to 90%, noncondensing |
|                                                       | Operating: +32 to +122 °F (0 to +50 °C) / 10% to 90%, noncondensing |
| Cooling .....                                         | Convection, no vents                                                |
| Thermal dissipation — 12 VDC power supply (PS 1210 C) |                                                                     |
| Device .....                                          | 15.7 BTU/hr                                                         |
| Device and power supply .....                         | 20.1 BTU/hr                                                         |
| Mounting                                              |                                                                     |
| Furniture mount .....                                 | With included hardware                                              |
| Min./max. table thickness .....                       | 0.375" to 2.00" (9.5 mm to 51 mm)                                   |
| Enclosure type .....                                  | Metal                                                               |

# Specification • TLP 350CV (Continued)

Dimensions diagram examples



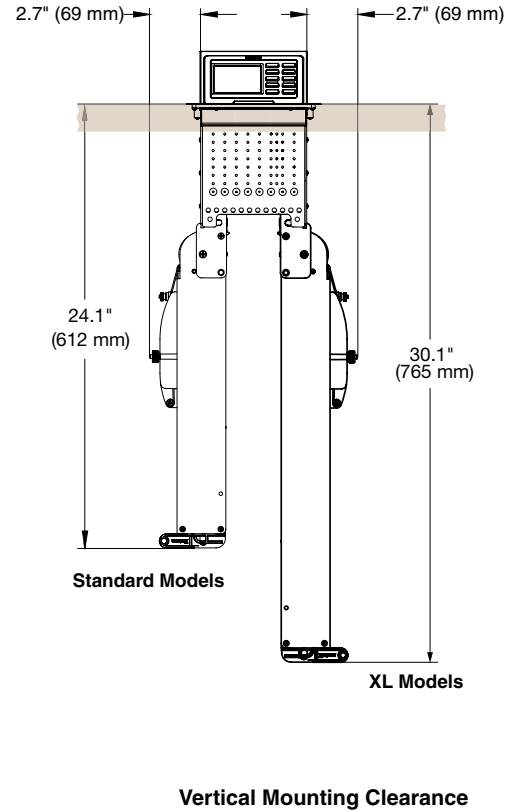
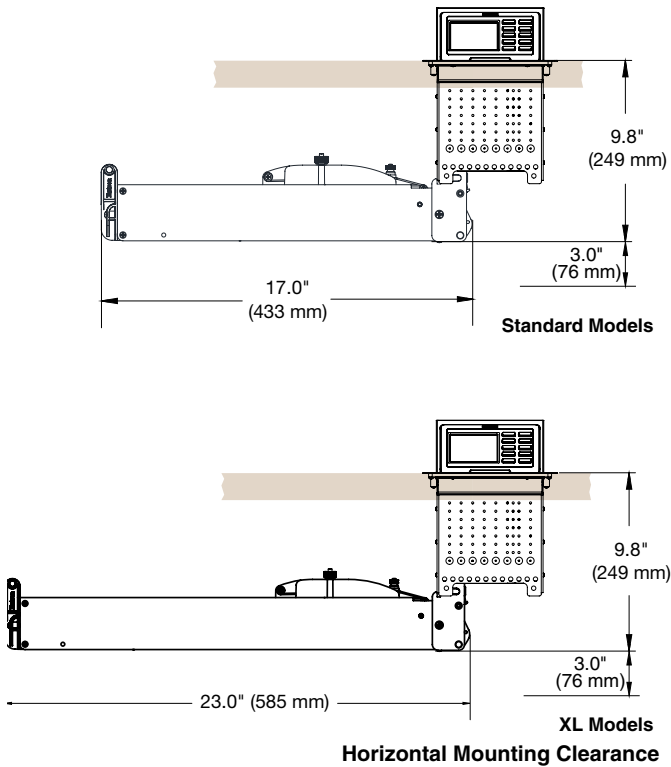
Enclosure dimensions

**NOTE:** Use the appropriate metal Extron routing template or refer to these surface cutout dimensions before cutting a hole in the furniture or other surface. Pay special attention to the direction the unit will face; the connector access side is underlined>. Extron is not responsible for miscut mounting holes.

|                                   |                                                                                                                      |
|-----------------------------------|----------------------------------------------------------------------------------------------------------------------|
| Top plate (outer rim) .....       | 8.15" W x 6.65" D<br>(207 mm W x 169 mm D)                                                                           |
| Surface cutout (inside rim) ..... | <u>7.50 +0.00/-0.02"</u> W x 6.00 +0.00/-0.02" D<br>(191 +0.0/-0.5 mm W x 152 +0.00/-0.5 mm D)                       |
| Box (under surface) .....         | 7.42" H x <u>10.87"</u> W (front/rear of unit) x 5.64" D with clamps<br>(189 mm H x 276 mm W x 143 mm D with clamps) |

# Specification • TLP 350CV (Continued)

## Retractor Mounting Clearance



|                            |                                                                   |
|----------------------------|-------------------------------------------------------------------|
| Product weight .....       | 5.8 lbs (2.6 kg)                                                  |
| Regulatory compliance..... | CE, C-Tick, c-UL, FCC Class A, ICES, RoHS, UL, VCCI Class A, WEEE |
| Warranty .....             | 3 years parts and labor.                                          |

### NOTES:

- All nominal levels are at  $\pm 10\%$ .
- Specifications are subject to change without notice.
- Shipping dimensions and weights are available at [www.extron.com](http://www.extron.com).